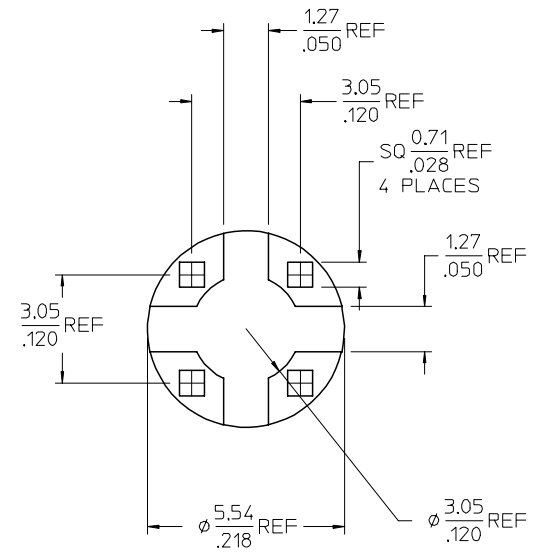
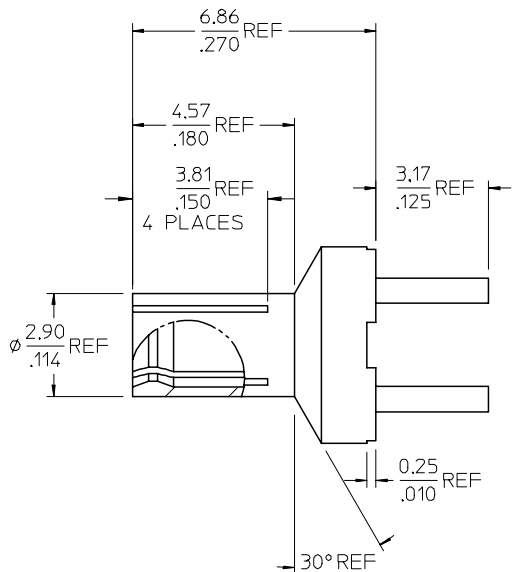
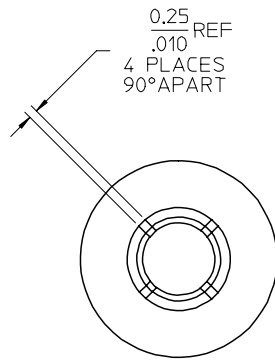
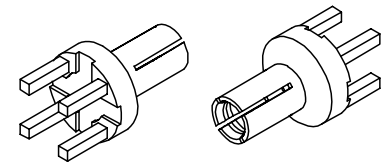


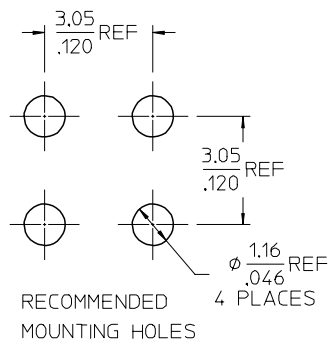
13 12 11 10 9 8 7 6 5 4 3 2 1

MATERIALS AND FINISHES
 BODY BERYLLIUM COPPER
 PLATED GOLD (30 MICROINCHES MIN)



INSERTION FORCE: 13.35N(3 LBS) - 22.25N(5 LBS)
 WITHDRAWAL FORCE: 16.47N(3.7 LBS) - 26.7N (6 LBS)

PART # 73218-0050



UNLESS OTHERWISE SPECIFIED DIMS ARE MILLIMETERS AND ANGLES ARE DEGREES.

- ∇ ALL OVER.
- NO CHATTER OR NON-UNIFORM SURFACE FINISH ALLOWED.
- PARTS TO BE FREE OF BURRS & SHARP EDGES 0.13(.005) MAX BREAK.
- EXTERNAL THREADS TO BE ROLLED OR SINGLE POINT.
- DIAMETERS TO BE CONCENTRIC WITHIN 0.08(.003) TIR.

CHG: RELEASE DRAWING. EC NO: URF2005-0327 DRW: ARBERTSON 2005/02/03 CHKD: SHAH 2005/02/03 APPR: WLENER 2005/02/03	QUALITY SYMBOLS ▽=0 ▽=0	GENERAL TOLERANCES (UNLESS SPECIFIED)		DIMENSION STYLE MM/IN		SCALE METRIC	DESIGN UNITS METRIC	THIRD ANGLE PROJECTION	
		4 PLACES ± --- ± --- 3 PLACES ± --- ± --- 2 PLACES ± --- ± --- 1 PLACE ± --- ± ---	mm INCH	DRAWN BY JM	DATE 2004/12/17	TITLE RECEPTACLE, DC POWER PCB THRU HOLE M-PCB, EWR-2683			
		ANGULAR ± 2 °		CHECKED BY AZR	DATE 2005/01/13	MOLEX INCORPORATED			
		DRAFT WHERE APPLICABLE MUST REMAIN WITHIN DIMENSIONS		APPROVED BY JDW	DATE 2005/01/13	MATERIAL NO. 732180050	DOCUMENT NO. SD-73218-005	SHEET NO. 1 OF 1	

12 11 10 9 8 7 6 5 4 3 2 1