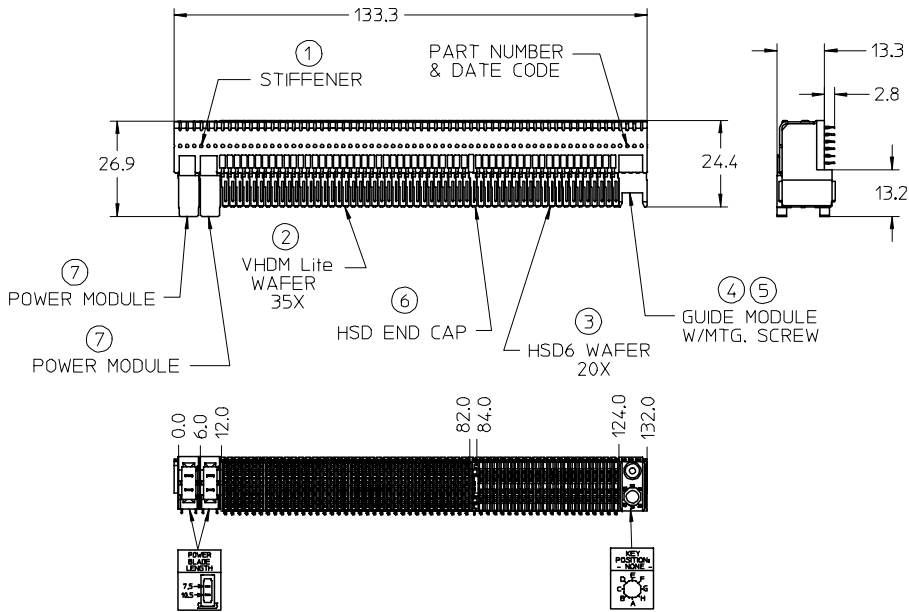
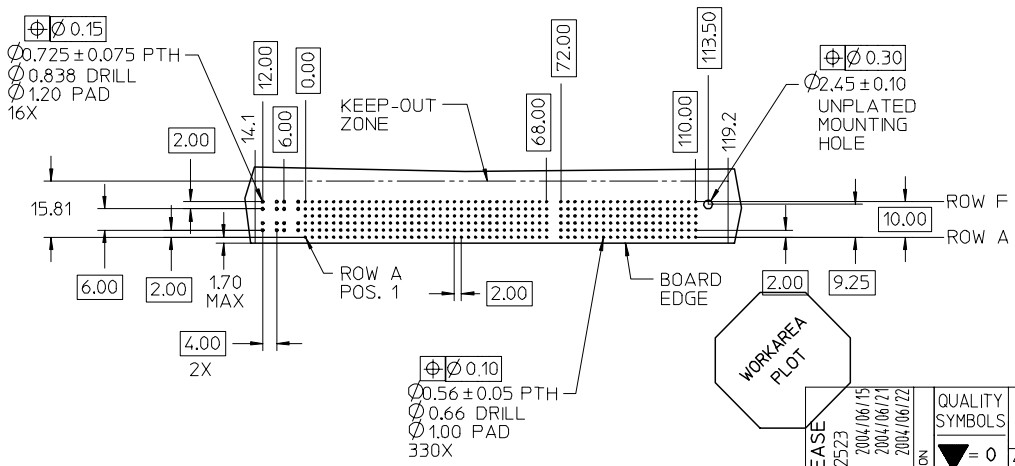


CUSTOMER: ACCUSYS

- NOTES: (UNLESS OTHERWISE SPECIFIED)
1. REFER TO MOLEX PRODUCT SPECIFICATION PS-74031-999 FOR PERFORMANCE SPECIFICATIONS.
 2. REFER TO MOLEX DOCUMENT SD-75187-001 FOR ADDITIONAL DETAIL ON THE VHDM Lite SIGNAL WAFER.
 3. REFER TO MOLEX DOCUMENT SD-74881-002 FOR ADDITIONAL DETAIL ON THE HSD SIGNAL WAFER.
 4. REFER TO MOLEX DOCUMENT SD-74037-005 FOR ADDITIONAL DETAIL ON THE GUIDANCE MODULE.
 5. REFER TO MOLEX DOCUMENT SD-74026-001 FOR ADDITIONAL DETAIL ON THE POWER MODULE.
 6. MOUNTING SCREWS WILL BE BAGGED WITH EACH CONNECTOR.
 7. PARTS TO BE PACKAGED PER PK-70873-5040.



ITEM	PART NUMBER	QTY	DESCRIPTION
1	74036-0133	1	STIFFENER
2	75187-0005	35	VHDM Lite SIGNAL WAFER
3	74881-0001	20	HSD6 SIGNAL WAFER
4	74037-0006	1	GUIDE MODULE
5	73726-0000	1	MOUNTING SCREW
6	74888-0001	1	HSD6 END CAP
7	74026-6310	2	POWER MODULE



DAUGHTERCARD HOLE PATTERN
CONNECTOR SIDE

INITIAL RELEASE FC NO: UCP2004-2523 DRAWN: MSHEEHY 2004/06/15 CHKD: 2004/06/21 APPR: YMARGULLI 2004/06/22	QUALITY SYMBOLS ▽ = 0 ▽ = 0	GENERAL TOLERANCES (UNLESS SPECIFIED)		DIMENSION STYLE MM ONLY		SCALE 1:1	DESIGN UNITS METRIC	THIRD ANGLE PROJECTION
		4 PLACES ± --- ± --- 3 PLACES ± --- ± --- 2 PLACES ± --- ± --- 1 PLACE ± --- ± ---	mm INCH	DRAWN BY M SHEEHY DATE 2004/06/14	CHECKED BY J BINGHA DATE 2004/06/14	TITLE VHDM 6 ROW HSD/LITE HYBRID DAUGHTERCARD SALES ASSEMBLY		
DRAFT WHERE APPLICABLE MUST REMAIN WITHIN DIMENSIONS		MATERIAL NO. 75296-0020		DOCUMENT NO. SD-75296-020		MOLEX INCORPORATED		
SIZE C		SHEET NO. 1 OF 1		THIS DRAWING CONTAINS INFORMATION THAT IS PROPRIETARY TO MOLEX INCORPORATED AND SHOULD NOT BE USED WITHOUT WRITTEN PERMISSION				