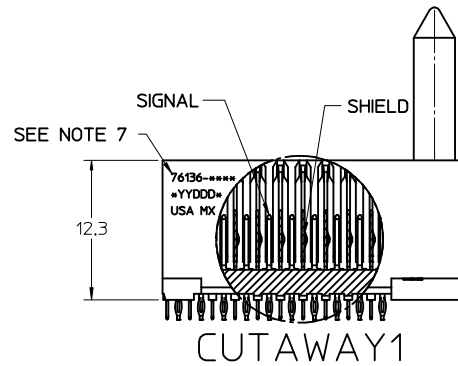
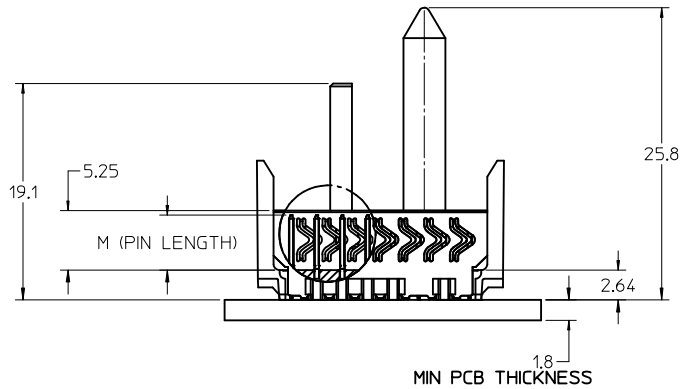


- NOTES:
1. MATERIALS: HOUSING - LIQUID CRYSTAL POLYMER (LCP)
GLASS FILLED, UL94V-0, BLACK
SIGNAL PIN AND SHIELD - COPPER ALLOY
 2. FINISHES: CONTACT AREA - SELECTIVE GOLD (Au)
PCB TAILS - SELECTIVE MATTE TIN (Sn)
 3. THIS PART CONFORMS TO MOLEX PRODUCT SPECIFICATION PS-74031-999.
 4. FOR MIXED CONTACT LENGTH CONTACT MOLEX FOR AVAILABILITY.
 5. FOR SPECIFIC MATERIAL NUMBERS AND MATING INFORMATION REFER TO SHEET 2.
 6. PACKAGE PER PK-74061-003.
 7. ASSEMBLY WILL BE MARKED WITH P/N AND DATE CODE WITH LASER MARK ON SIDE OF HOUSING
 8. MAPS (MOLEX ADVANCED PLATING SYSTEM).



THE PRIMARY CARTON WITH A LABEL STATING "ELV AND RoHS COMPLIANT" IS LEAD FREE. CARTONS WITHOUT THIS LABEL MAY CONTAIN LEAD.

DRAWING CLEAN-UP EC NO: UCP2013-2637 DRW:RHI/PPLE 2012/12/28 CHKD:M/LFE 2012/12/29 APPR:SMILLER 2013/01/11	REVISIONS REV. DESCRIPTION D	QUALITY SYMBOLS ▽=0 ▽=0 ▽=0	GENERAL TOLERANCES (UNLESS SPECIFIED)		DIMENSION STYLE MM ONLY		SCALE 3:1	DESIGN UNITS METRIC	THIRD ANGLE PROJECTION	
			mm	INCH	DRAWN BY JJONIAK	DATE 2008/04/11	TITLE VHDM H-SERIES 8 ROW SHIELD END BACKPLANE SALES DRAWING	DOCUMENT NO. SD-76136-001		SHEET NO. 1 OF 2
			4 PLACES ± --- ± ---		CHECKED BY BINGHAM	DATE 2008/04/11				
			3 PLACES ± --- ± ---		APPROVED BY BINGHAM	DATE 2008/04/11				
			2 PLACES ± 0.15 ± ---							
			1 PLACE ± 0.25 ± ---							
			0 PLACE ± --- ± ---							
			ANGULAR ±1/2°		MATERIAL NO. SEE SHEET 2					
			DRAFT WHERE APPLICABLE MUST REMAIN WITHIN DIMENSIONS		SIZE C		THIS DRAWING CONTAINS INFORMATION THAT IS PROPRIETARY TO MOLEX INCORPORATED AND SHOULD NOT BE USED WITHOUT WRITTEN PERMISSION			

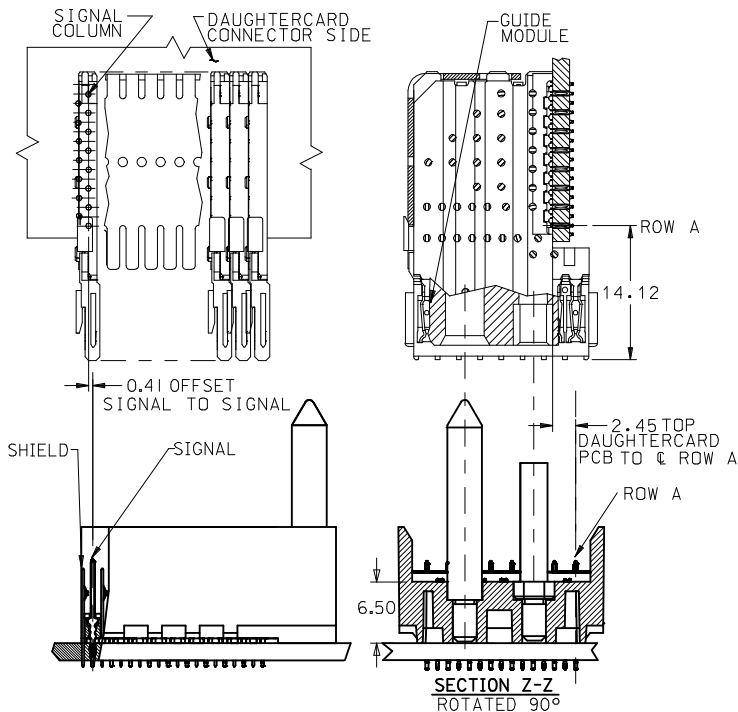
M/N 76136-()	-**0*	-**1*	-**2*	-**3*	-**4*	-**5*	-**6*	-**7*	-**8*
KEYING PIN ORIENTATION									

76136 - * * * *

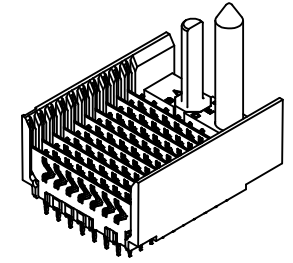
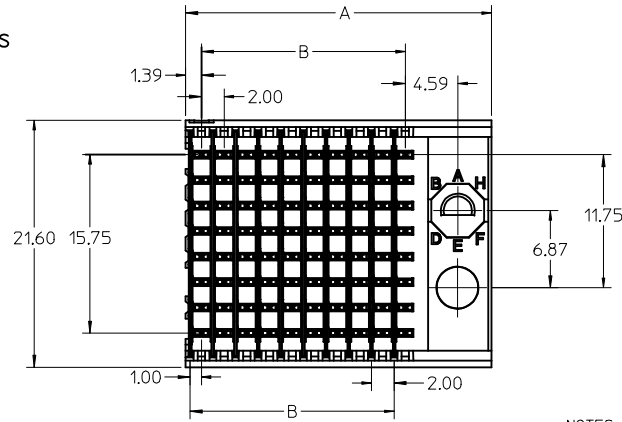
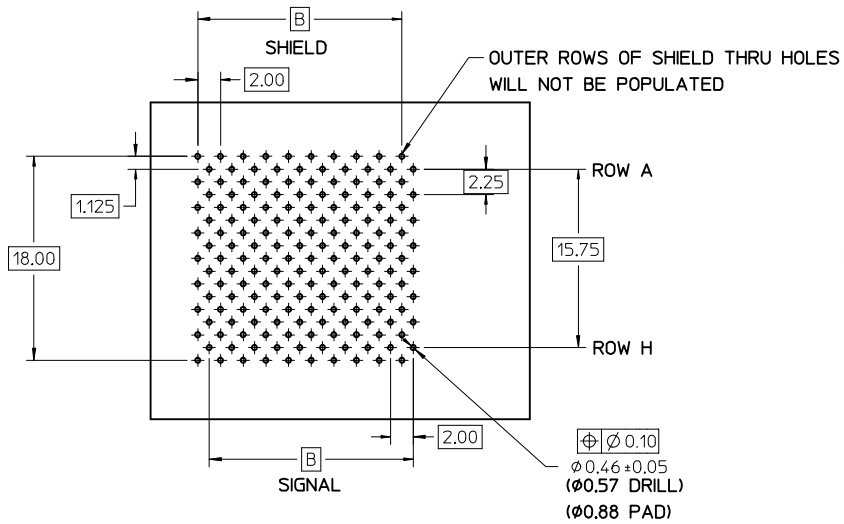
CONTACT LOAD
(PIN LENGTH)
1 & 6 = 4.75
2 & 7 = 6.25
3 & 8 = 4.25
4 & 9 = 5.15

NUMBER OF COLUMNS/PLATING
10 = 10 COLUMN MATTE TIN (FORMERLY TIN/LEAD)
25 = 25 COLUMN MATTE TIN (FORMERLY TIN/LEAD)
60 = 10 COLUMN MATTE TIN (MAPS)
75 = 25 COLUMN MATTE TIN (MAPS)
90 = 10 COLUMN MATTE TIN
85 = 25 COLUMN MATTE TIN

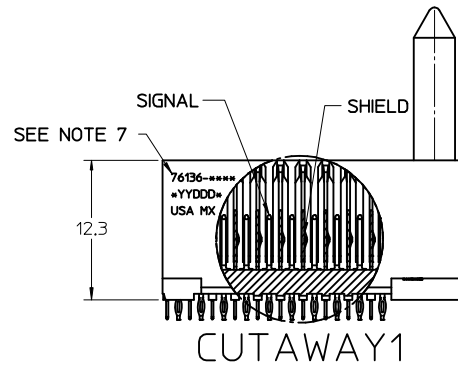
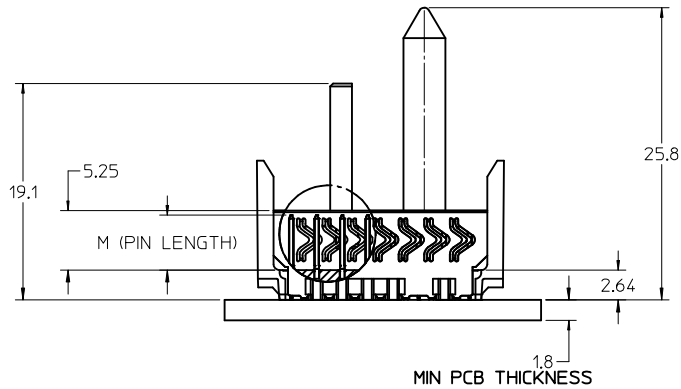
PART NUMBER	COLUMN	NUMBER OF SIGNAL PIN	NUMBER OF SHIELD	A	B	M	GOLD THICKNESS MICROMETER	TIN THICKNESS MICROMETER
76136-60*1	10	80	10	27.00	18.00	4.75	0.25 MAPS	0.76-1.52
76136-*0*1							0.76	
76136-*0*6							1.27	
76136-75*1	25	200	25	57.00	48.00	4.75	0.25 MAPS	
76136-*5*1							0.76	
76136-*5*6							1.27	
76136-60*2	10	80	10	27.00	18.00	6.25	0.25 MAPS	
76136-*0*2							0.76	
76136-*0*7							1.27	
76136-75*2	25	200	25	57.00	48.00	6.25	0.25 MAPS	
76136-*5*2							0.76	
76136-*5*7							1.27	
76136-60*3	10	80	10	27.00	18.00	4.25	0.25 MAPS	
76136-*0*3							0.76	
76136-*0*8							1.27	
76136-75*3	25	200	25	57.00	48.00	4.25	0.25 MAPS	
76136-*5*3							0.76	
76136-*5*8							1.27	
76136-60*4	10	80	10	27.00	18.00	5.15	0.25 MAPS	
76136-*0*4							0.76	
76136-*0*9							1.27	
76136-75*4	25	200	25	57.00	48.00	5.15	0.25 MAPS	
76136-*5*4							0.76	
76136-*5*9							1.27	



SEE SHEET 1 EC NO: UCP2013-2637 DRWNR:WHIPPLE 2012/12/28 CHKD:MWOLFE 2012/12/29 APPR:SMILLER 2013/01/11	QUALITY SYMBOLS	GENERAL TOLERANCES (UNLESS SPECIFIED)	DIMENSION STYLE MM ONLY	SCALE 5:1	DESIGN UNITS METRIC	THIRD ANGLE PROJECTION
	▽=0	mm INCH	DRAWN BY DATE JJONIAK 2008/04/11	TITLE	VHDM H-SERIES 8 ROW SHIELD END BACKPLANE SALES DRAWING SD-76136-001	
	▽=0	4 PLACES ± --- ± ---	CHECKED BY DATE BINGHAM 2008/04/11	APPROVED BY DATE BINGHAM 2008/04/11		
	▽=0	3 PLACES ± --- ± ---	MATERIAL NO. DOCUMENT NO.			
▽=0	2 PLACES ± 0.15 ± ---	SEE TABLE				
		1 PLACE ± 0.25 ± ---	DRAFT WHERE APPLICABLE MUST REMAIN WITHIN DIMENSIONS		SHEET NO. 2 OF 2	
		0 PLACE ± --- ± ---	ANGULAR ±1/2°		THIS DRAWING CONTAINS INFORMATION THAT IS PROPRIETARY TO MOLEX INCORPORATED AND SHOULD NOT BE USED WITHOUT WRITTEN PERMISSION	



- NOTES:
1. MATERIALS: HOUSING - LIQUID CRYSTAL POLYMER (LCP)
GLASS FILLED, UL94V-0, BLACK
SIGNAL PIN AND SHIELD - COPPER ALLOY
 2. FINISHES: CONTACT AREA - SELECTIVE GOLD (Au)
PCB TAILS - SELECTIVE MATTE TIN (Sn)
 3. THIS PART CONFORMS TO MOLEX PRODUCT SPECIFICATION PS-74031-999.
 4. FOR MIXED CONTACT LENGTH CONTACT MOLEX FOR AVAILABILITY.
 5. FOR SPECIFIC MATERIAL NUMBERS AND MATING INFORMATION REFER TO SHEET 2.
 6. PACKAGE PER PK-74061-003.
 7. ASSEMBLY WILL BE MARKED WITH P/N AND DATE CODE WITH LASER MARK ON SIDE OF HOUSING
 8. MAPS (MOLEX ADVANCED PLATING SYSTEM).



THE PRIMARY CARTON WITH A LABEL STATING "ELV AND RoHS COMPLIANT" IS LEAD FREE. CARTONS WITHOUT THIS LABEL MAY CONTAIN LEAD.

DRAWING CLEAN-UP EC NO: UCP2013-2637 DRW:RHI/PPLE 2012/12/28 CHKD:M/LFE 2012/12/29 APPR:SMILLER 2013/01/11	QUALITY SYMBOLS ▽=0 ▽=0 ▽=0	GENERAL TOLERANCES (UNLESS SPECIFIED)		DIMENSION STYLE MM ONLY		SCALE 3:1	DESIGN UNITS METRIC	THIRD ANGLE PROJECTION	
		mm	INCH	DRAWN BY J JONIAK	DATE 2008/04/11	TITLE VHDM H-SERIES 8 ROW SHIELD END BACKPLANE SALES DRAWING	molex		
REV D	DESCRIPTION	4 PLACES	± ---	± ---	CHECKED BY BINGHAM	DATE 2008/04/11	DOCUMENT NO. SD-76136-001		
		3 PLACES	± ---	± ---	APPROVED BY BINGHAM	DATE 2008/04/11			
		2 PLACES	± 0.15	± ---					
		1 PLACE	± 0.25	± ---					
		0 PLACE	± ---	± ---					
		ANGULAR ±1/2°		MATERIAL NO. SEE SHEET 2					
		DRAFT WHERE APPLICABLE MUST REMAIN WITHIN DIMENSIONS		SIZE C	THIS DRAWING CONTAINS INFORMATION THAT IS PROPRIETARY TO MOLEX INCORPORATED AND SHOULD NOT BE USED WITHOUT WRITTEN PERMISSION				

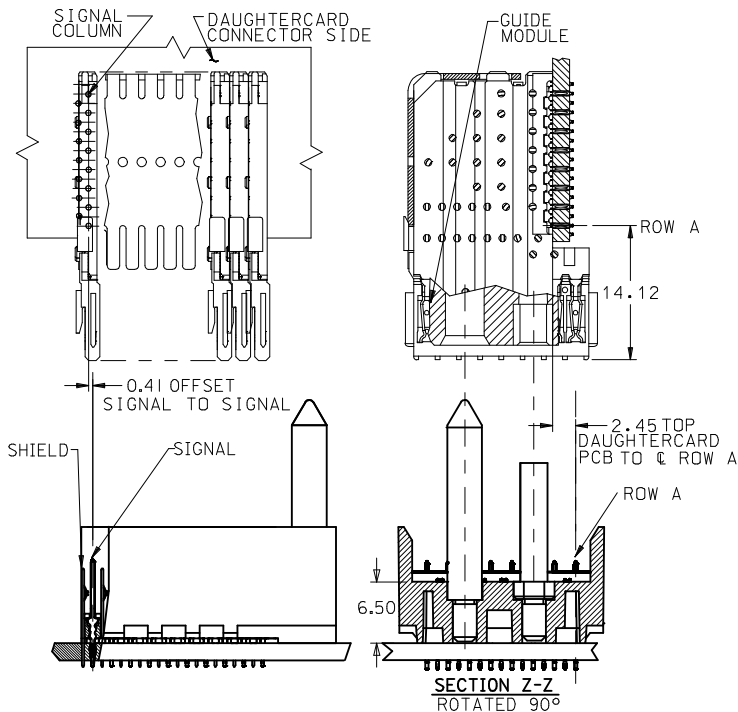
M/N 76136-()	-**0*	-**1*	-**2*	-**3*	-**4*	-**5*	-**6*	-**7*	-**8*
KEYING PIN ORIENTATION									

76136 - * * * *

CONTACT LOAD
(PIN LENGTH)
1 & 6 = 4.75
2 & 7 = 6.25
3 & 8 = 4.25
4 & 9 = 5.15

NUMBER OF COLUMNS/PLATING
10 = 10 COLUMN MATTE TIN (FORMERLY TIN/LEAD)
25 = 25 COLUMN MATTE TIN (FORMERLY TIN/LEAD)
60 = 10 COLUMN MATTE TIN (MAPS)
75 = 25 COLUMN MATTE TIN (MAPS)
90 = 10 COLUMN MATTE TIN
85 = 25 COLUMN MATTE TIN

PART NUMBER	COLUMN	NUMBER OF SIGNAL PIN	NUMBER OF SHIELD	A	B	M	GOLD THICKNESS MICROMETER	TIN THICKNESS MICROMETER
76136-60*1	10	80	10	27.00	18.00	4.75	0.25 MAPS	0.76-1.52
76136-*0*1							0.76	
76136-*0*6							1.27	
76136-75*1	25	200	25	57.00	48.00	4.75	0.25 MAPS	
76136-*5*1							0.76	
76136-*5*6							1.27	
76136-60*2	10	80	10	27.00	18.00	6.25	0.25 MAPS	
76136-*0*2							0.76	
76136-*0*7							1.27	
76136-75*2	25	200	25	57.00	48.00	6.25	0.25 MAPS	
76136-*5*2							0.76	
76136-*5*7							1.27	
76136-60*3	10	80	10	27.00	18.00	4.25	0.25 MAPS	
76136-*0*3							0.76	
76136-*0*8							1.27	
76136-75*3	25	200	25	57.00	48.00	4.25	0.25 MAPS	
76136-*5*3							0.76	
76136-*5*8							1.27	
76136-60*4	10	80	10	27.00	18.00	5.15	0.25 MAPS	
76136-*0*4							0.76	
76136-*0*9							1.27	
76136-75*4	25	200	25	57.00	48.00	5.15	0.25 MAPS	
76136-*5*4							0.76	
76136-*5*9							1.27	



SEE SHEET 1 EC NO: UCP2013-2637 DRW:RWHIPPLE 2012/12/28 CHKD:MWOLFE 2012/12/29 APPR:SMILLER 2013/01/11	QUALITY SYMBOLS ▽=0 ▽=0 ▽=0	GENERAL TOLERANCES (UNLESS SPECIFIED)	DIMENSION STYLE MM ONLY	SCALE 5:1	DESIGN UNITS METRIC	THIRD ANGLE PROJECTION
		4 PLACES ± --- ± --- 3 PLACES ± --- ± --- 2 PLACES ± 0.15 ± --- 1 PLACE ± 0.25 ± --- 0 PLACE ± --- ± ---	mm INCH DRAWN BY DATE J JONIAK 2008/04/11 CHECKED BY DATE BINGHAM 2008/04/11 APPROVED BY DATE BINGHAM 2008/04/11	TITLE VHDM H-SERIES 8 ROW SHIELD END BACKPLANE SALES DRAWING		
D	DESCRIPTION	ANGULAR ±1/2°	MATERIAL NO.	DOCUMENT NO.	molex	
		DRAFT WHERE APPLICABLE MUST REMAIN WITHIN DIMENSIONS	SIZE C	SEE TABLE	SD-76136-001	SHEET NO. 2 OF 2
THIS DRAWING CONTAINS INFORMATION THAT IS PROPRIETARY TO MOLEX INCORPORATED AND SHOULD NOT BE USED WITHOUT WRITTEN PERMISSION						