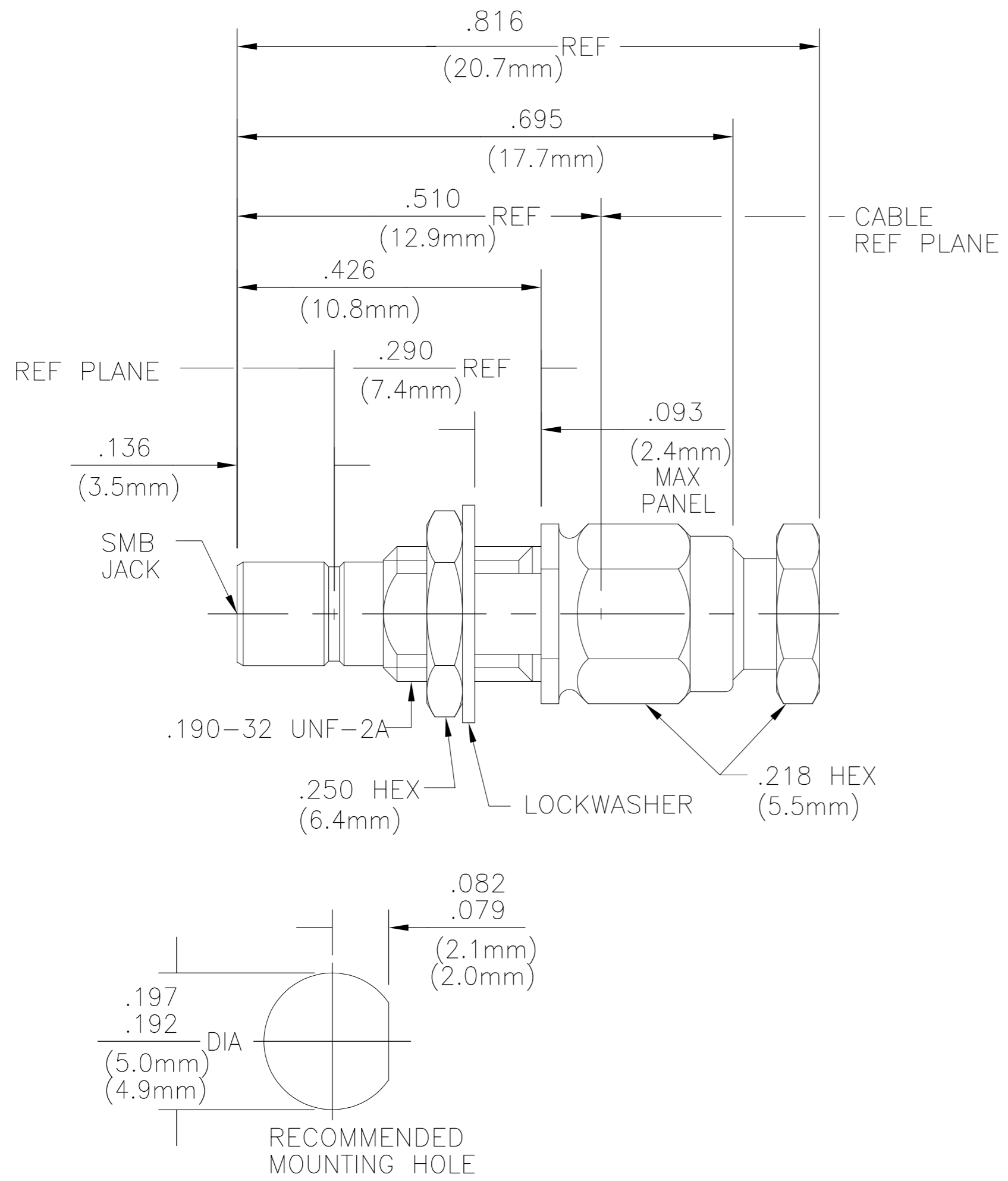


THIS DRAWING IS UNPUBLISHED. RELEASED FOR PUBLICATION
 © COPYRIGHT BY TYCO ELECTRONICS CORPORATION. ALL RIGHTS RESERVED.

| LOC | DIST | REVISIONS | | | | | |
|-----|------|-----------|-----|-----------------------|-----------|-----|------|
| AJ | 00 | P | LTR | DESCRIPTION | DATE | DWN | APVD |
| | | C | | REV PER ECO 07-027471 | 1/16/2008 | DW | JL |



1060329-1
 PART NUMBER

| COMPONENT | MATERIAL | FINISH |
|---|---|---|
| HOUSING MOUNTING NUT CLAMP NUT INNER SLEEVE WEDGE WASHER | BRASS PER QQ-B-626 COMP. 360 | GOLD PLATE PER MIL-G-45204 OVER COPPER PLATE PER MIL-C-14550 |
| DIELECTRIC | TFE FLUOROCARBON PER ASTM-D-1457, MIL-P-19468, AND FED. SPEC L-P-403 | N/A |
| CENTER CONTACT | BERYLLIUM COPPER PER ASTM B196,ALLOY 173 OR BRASS PER ASTM-B-16 | GOLD PLATE PER MIL-G-45204 OVER COPPER PLATE PER MIL-C-14550 |
| LOCKWASHER | PHOSPHOR BRONZE PER QQ-B-750, GRADE B2 OR TIN BRASS PER ASTM-B-591 | GOLD PLATE PER MIL-G-45204 OVER COPPER PLATE PER MIL-C-14550 |

| | |
|---------------------------------|------|
| CABLE ENTRY DIAMETER MINIMUM | |
| CONTACT | .023 |
| INNER SLEEVE | .062 |
| CLAMP NUT | .112 |

NOTES:
 1. DESIGNED FOR USE WITH RG174/U,
 RG188/U AND RG316/U CABLE
 2. CAPTURED CENTER CONTACT

THIS DRAWING IS A CONTROLLED DOCUMENT.

| | | | |
|------------------|-----|----------|---|
| DWN | RKS | 12-30-68 | Tyco Electronics Corporation Harrisburg, PA 17105-3608 |
| CHK | CW | 1/15/90 | |
| APVD | PH | 1/15/90 | |
| PRODUCT SPEC | | | |
| APPLICATION SPEC | | | NAME |
| | | | SMB BULKHEAD FEEDTHRU CABLE JACK-CLAMP ATTACHMENT |
| MATERIAL | | | SIZE |
| FINISH | | | CAGE CODE |
| | | | DRAWING NO |
| | | | RESTRICTED TO |
| CUSTOMER DRAWING | | | SCALE |
| | | | 5:1 |
| | | | SHEET |
| | | | 1 of 1 |
| | | | REV |
| | | | C |