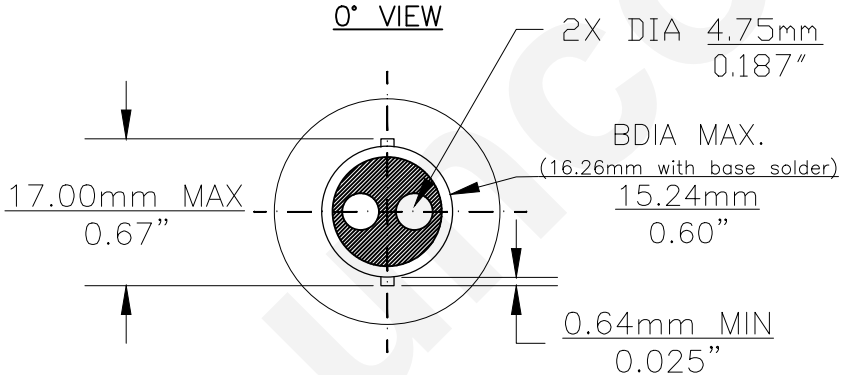
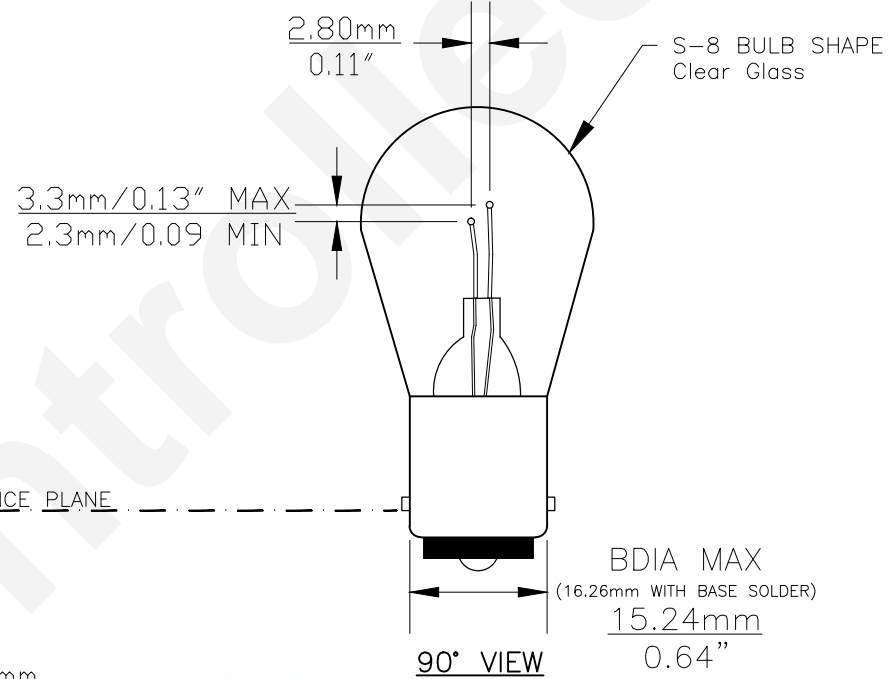
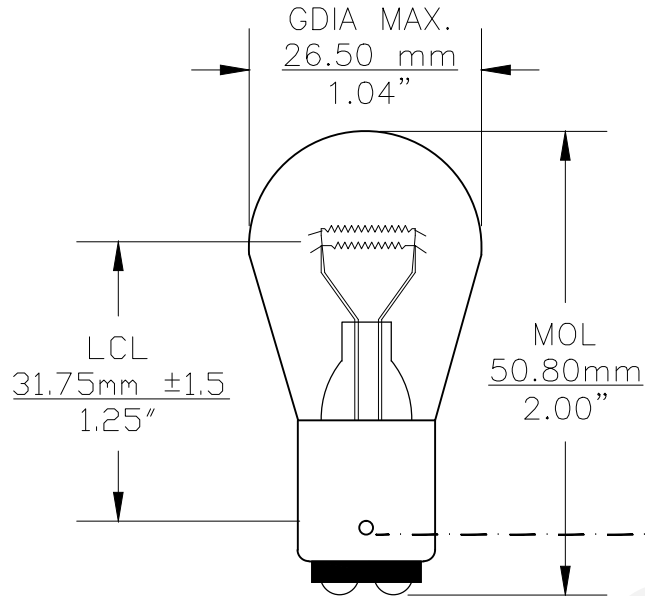




PART NO.	BASE TYPE	DESIGN VOLTS	DESIGN AMPS	MSCD	FILAMENT TYPE	AVERAGE LIFE HOURS	REVISIONS			
							REV #	DESCRIPTION	DATE	APPROVED
1176	D.C. BAYONET (BA15d)	12.8V 14.0V	1.34±10% 0.59±10%	21±15% 6±15%	C-6 C-6	300 1500	1	ISSUED	03/21/2001	E.S.
							2	SPECIFICATION UPDATES	04/15/2013	D.C.
							3	REDRAWN FOR ADDITIONAL VIEWS	10/24/2014	R.M.



BASE BOTTOM VIEW



Note: Made according to SAE specifications

UNLESS OTHERWISE SPECIFIED: DIMENSIONS ARE IN INCHES TOLERANCES		CEC INDUSTRIES LTD			
DECIMALS .XX ± .05		599 BOND STREET		LINCOLNSHIRE, IL 60069	
ANGULAR .XXX ± .010		TITLE LIGHT BULB NO. 1176			
FRACTIONAL ±1/64		DATE 03/21/2001	SIZE A	FSCM NO. 1176	REV 3
DRAWN ELIZABETH SONANES	CHECKED	DESIGN	SCALE	PLOT SCALE	SHEET 1 OF 1
MATERIAL		FILE 1176.pdf	DRAWING NOT TO SCALE		