

Housing - HC-STA-D50-SHWD-2SSP21-ELC-AL - 1424415

Please be informed that the data shown in this PDF Document is generated from our Online Catalog. Please find the complete data in the user's documentation. Our General Terms of Use for Downloads are valid (<http://phoenixcontact.com/download>)



Box mounting bases D50, with double locking latch, material: Die-cast aluminum, salt water resistant, cable outlets: 2, lateral, height: 82 mm, cable gland: Pg21, support sleeve: yes, 2x Pg21, Standard



Key Commercial Data

| | |
|--------------|---------------|
| Packing unit | 1 pc |
| GTIN | |
| GTIN | 4055626371559 |

Technical data

Dimensions

| | |
|--------|--------|
| Height | 82 mm |
| Width | 70 mm |
| Length | 106 mm |

Ambient conditions

| | |
|---------------------------------|-------------------|
| Degree of protection (IP) | IP66 |
| | IP67 |
| Ambient temperature (operation) | -40 °C ... 125 °C |

General

| | |
|------------------------------|---|
| Size | D50 |
| Housing type | Box mounting bases |
| Color | gray aluminum |
| Locking type | with double locking latch |
| No. of cable outlets | 2 |
| Cable outlet | lateral |
| Screw connection | Pg21 |
| Type of the screw connection | 2x Pg21 |
| Housing material | Die-cast aluminum, salt water resistant |

Housing - HC-STA-D50-SHWD-2SSP21-ELC-AL - 1424415

Technical data

General

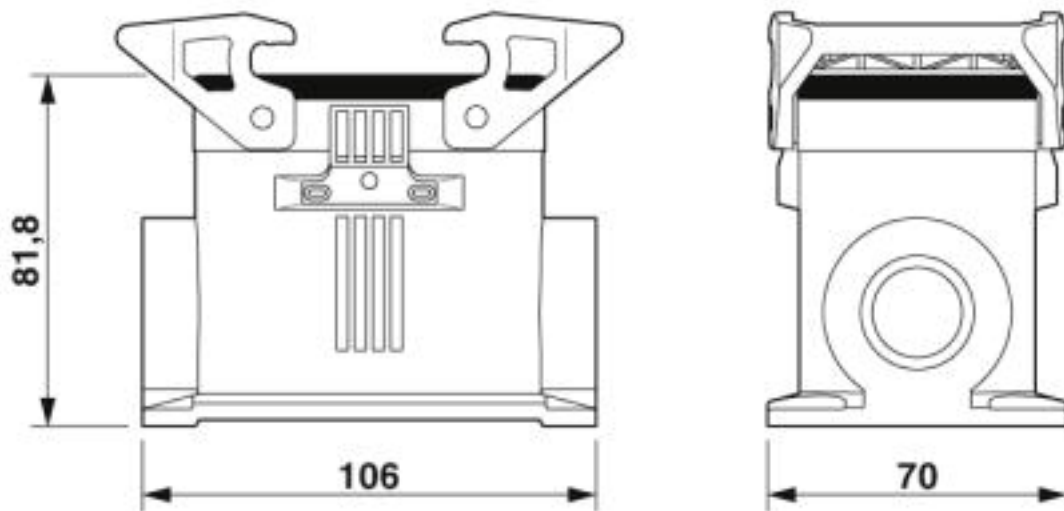
| | |
|--------------------------|---|
| Housing surface material | uncoated |
| Seal material | NBR, conductive |
| Material lock | PA |
| Assembly instructions | One opening is sealed with a plastic filler plug and can be opened using a screwdriver. |

Environmental Product Compliance

| | |
|------------|---|
| China RoHS | Environmentally Friendly Use Period = 50 |
| | For details about hazardous substances go to tab "Downloads", Category "Manufacturer's declaration" |

Drawings

Dimensional drawing



Dimensional drawing

Approvals

Approvals

Approvals

EAC / UL Recognized / cUL Recognized / DNV GL / cULus Recognized


Ex Approvals


Approval details

Housing - HC-STA-D50-SHWD-2SSP21-ELC-AL - 1424415

Approvals

| | | |
|-----|---|---------------|
| EAC |  | EAC-Zulassung |
|-----|---|---------------|

| | | | |
|---------------|---|---|---------|
| UL Recognized |  | http://database.ul.com/cgi-bin/XYV/template/LISEXT/1FRAME/index.htm | E255026 |
|---------------|---|---|---------|

| | | | |
|----------------|---|---|---------|
| cUL Recognized |  | http://database.ul.com/cgi-bin/XYV/template/LISEXT/1FRAME/index.htm | E255026 |
|----------------|---|---|---------|

| | | | |
|--------|---|---|------------|
| DNV GL |  | https://approvalfinder.dnvgl.com/ | TAE000037S |
|--------|---|---|------------|

| | | | |
|------------------|---|--|--|
| cULus Recognized |  | | |
|------------------|---|--|--|

Phoenix Contact 2019 © - all rights reserved
<http://www.phoenixcontact.com>

PHOENIX CONTACT GmbH & Co. KG
Flachsmarktstr. 8
32825 Blomberg
Germany
Tel. +49 5235 300
Fax +49 5235 3 41200
<http://www.phoenixcontact.com>