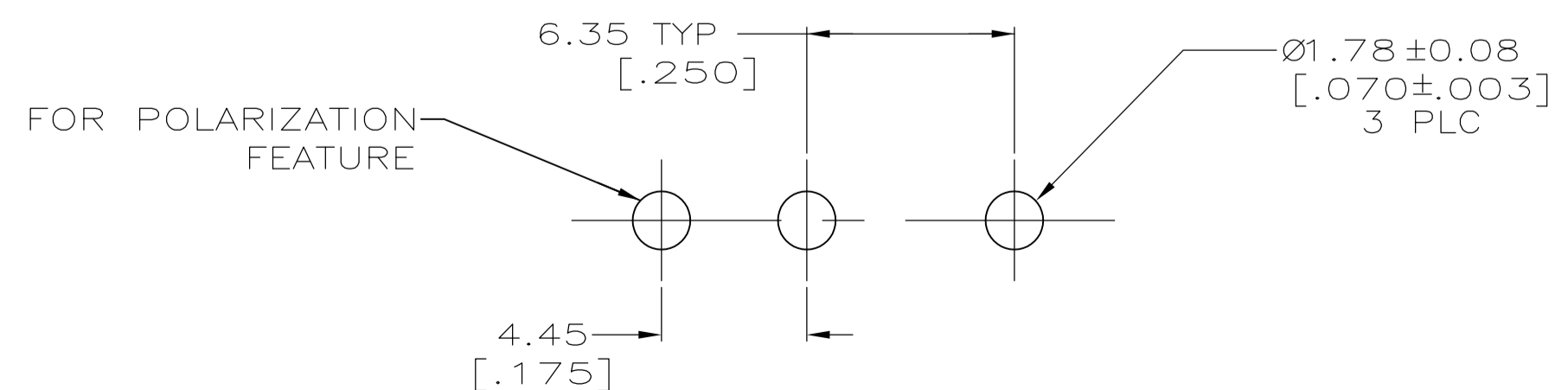
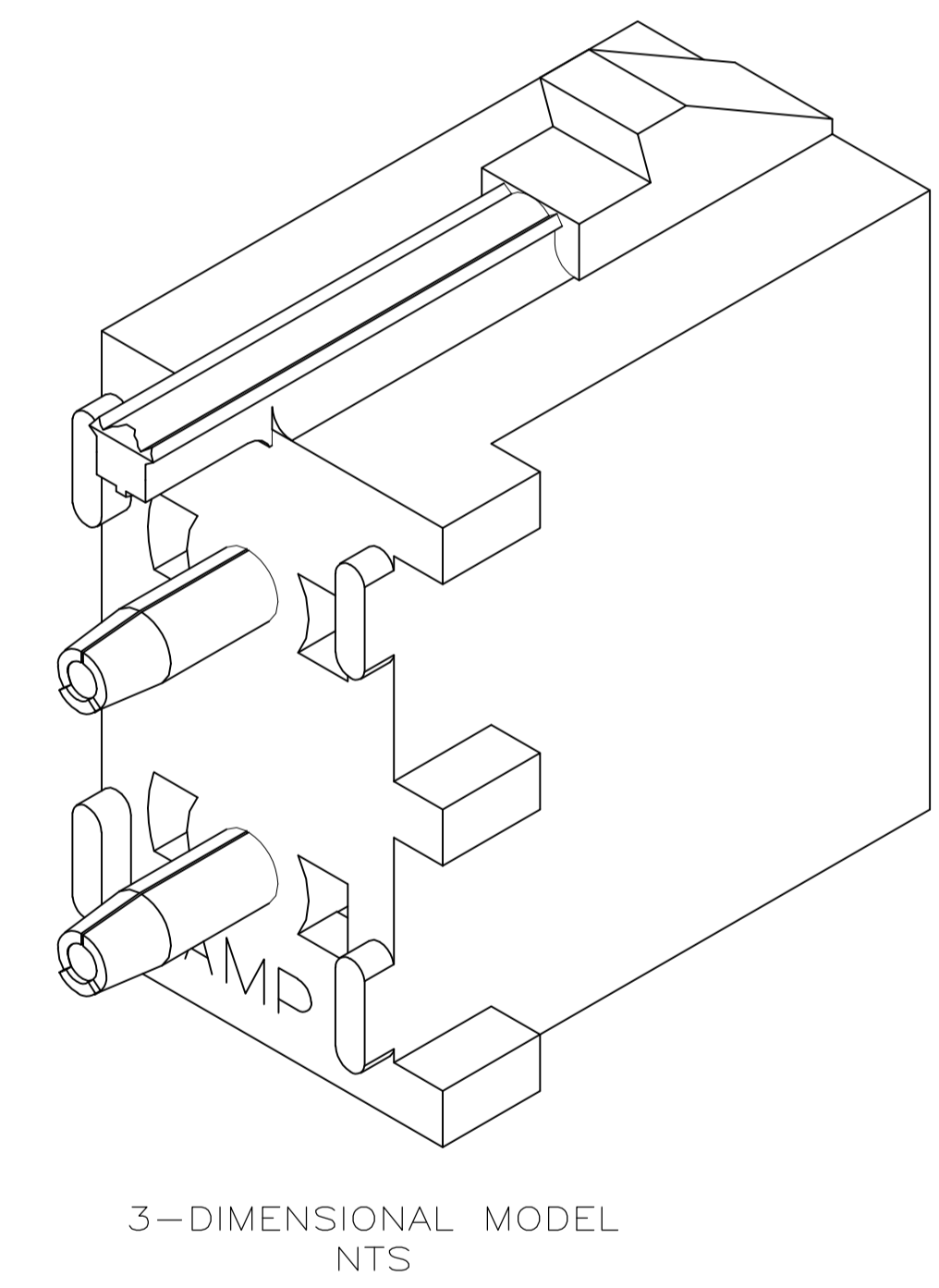
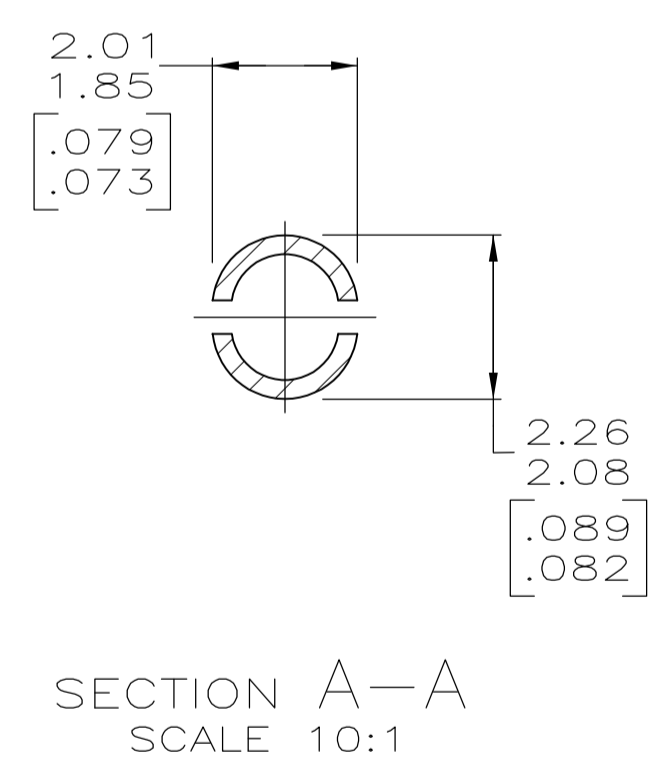
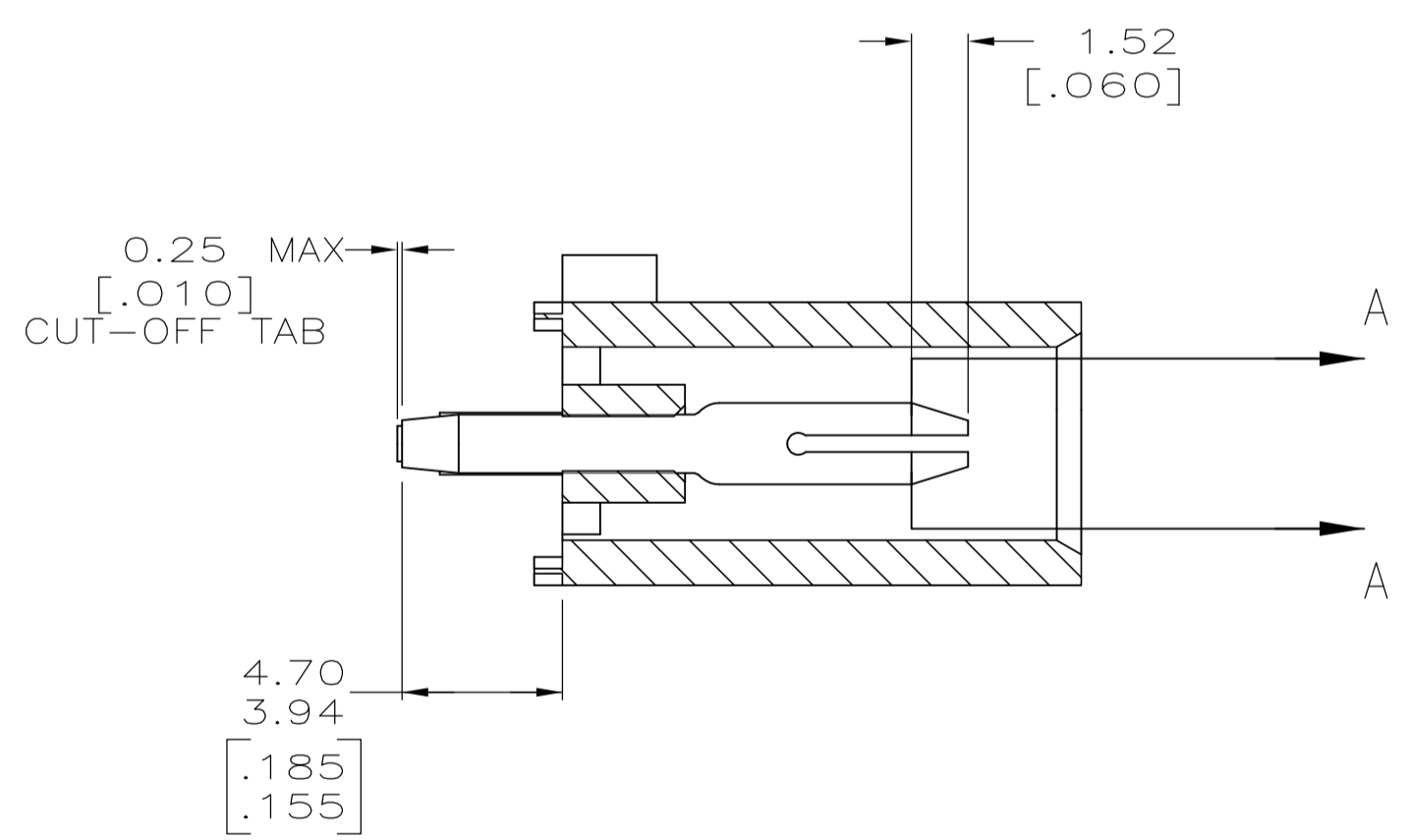
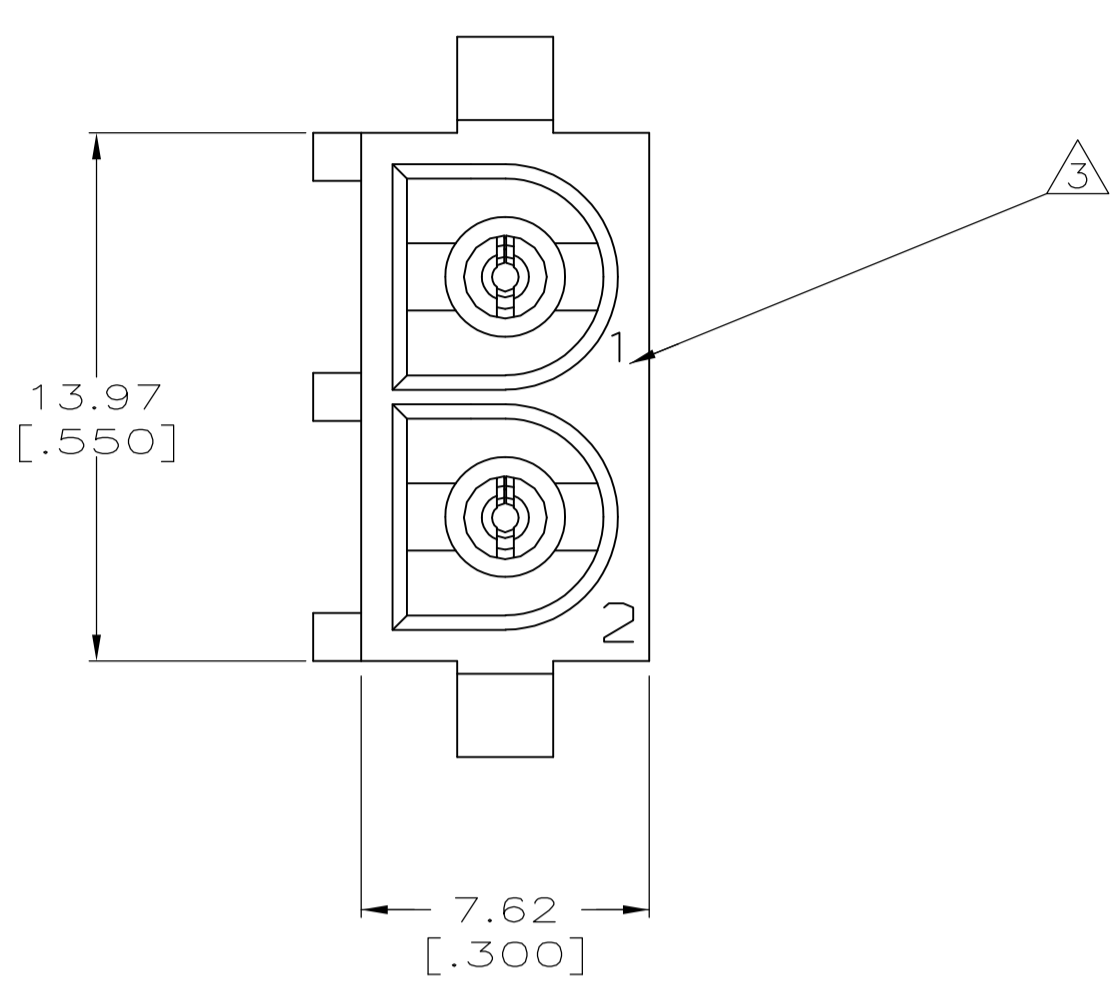
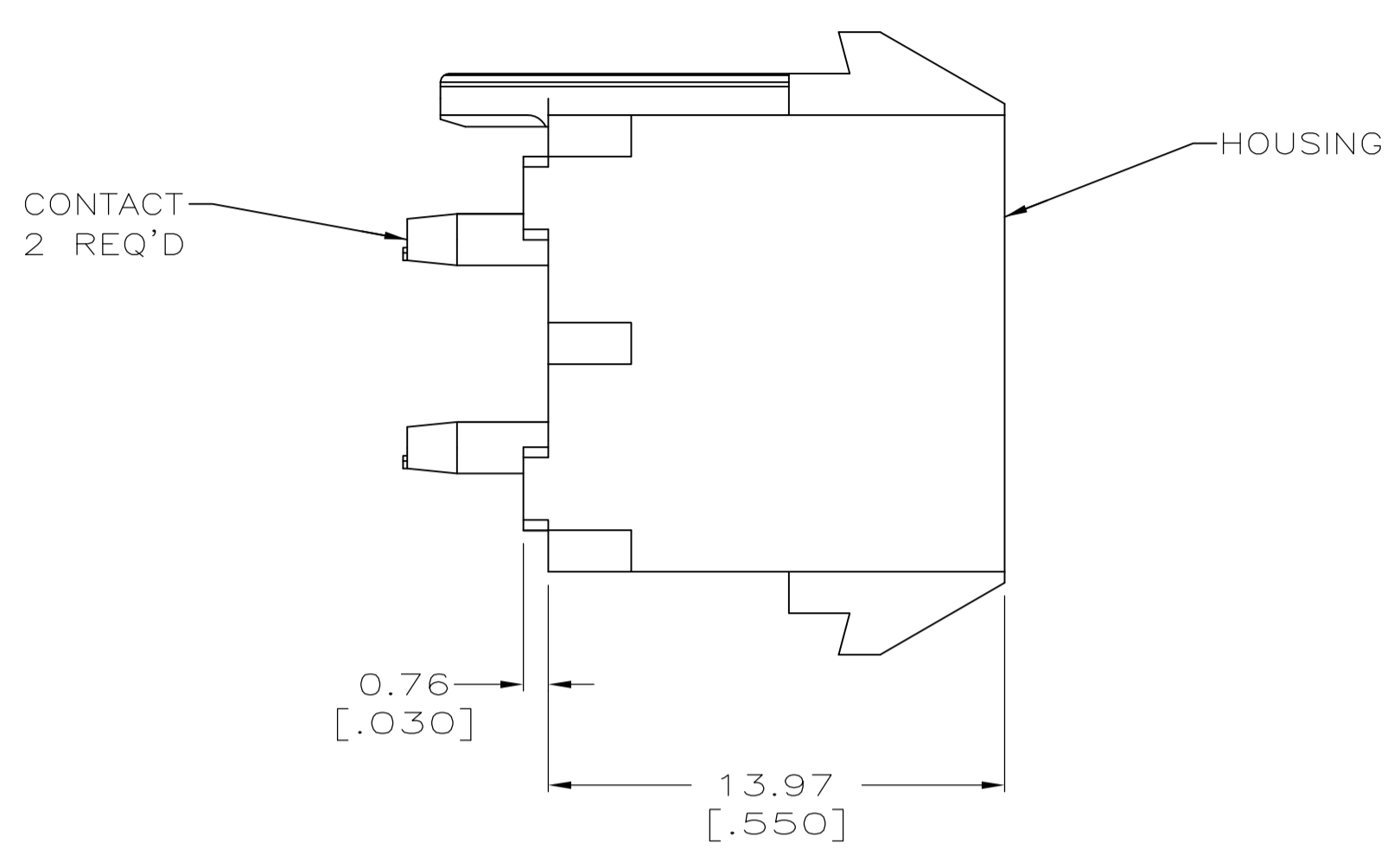
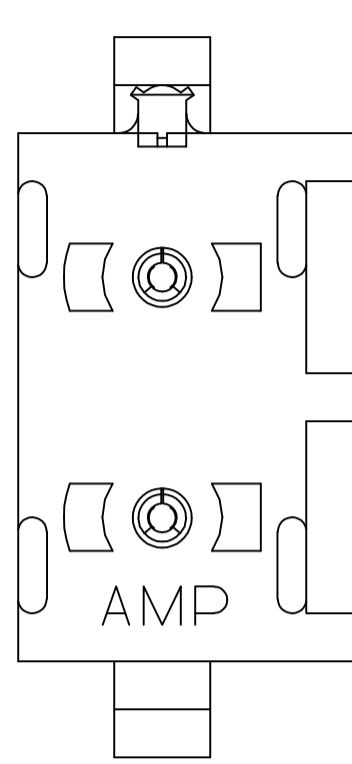


| LOC |     | DIST                  |          | REVISIONS |      |  |  |
|-----|-----|-----------------------|----------|-----------|------|--|--|
| P   | LTR | DESCRIPTION           | DATE     | DWN       | APVD |  |  |
| B   |     | REV PER ECR 10-018921 | 14SEPT10 | JR        | TM   |  |  |

- PARTS COMPLY TO AMP SOLDERABILITY SPECIFICATION 109-11-3.
- DIMENSIONS IN BRACKETS ARE IN INCHES.
- CIRCUIT IDENTIFICATION CHARACTERS ARE ADJACENT TO THE INDICATED CAVITIES, BUT LOCATION AND ORIENTATION MAY DIFFER FROM PRINT.
- FLAMMABILITY V2 FOR THICKNESS 0.38mm, 1.5mm, and 3.0mm PER IEC 60695-11-10.
- GLOW-WIRE FLAMMABILITY (GWFI) 800°C FOR THICKNESS 0.38mm AND 0.75mm PER IEC 60695-2-12.
- GLOW-WIRE FLAMMABILITY (GWFI) 960°C FOR THICKNESS 1.5mm AND 3.0mm PER IEC 60695-2-12.
- GLOW-WIRE IGNITION (GWIT) 825°C FOR THICKNESS 0.38mm, 0.75mm, 1.5mm AND 3.0mm PER IEC 60695-2-13.



|                                 |                         |             |
|---------------------------------|-------------------------|-------------|
| PHOSPHOR BRONZE, PRE-TIN        | NYLON, UL94V-2, NATURAL | 1586955-1   |
| PIN CONTACT MATERIAL AND FINISH | HOUSING MATERIAL        | PART NUMBER |

|  |  |                           |                     |  |
|--|--|---------------------------|---------------------|--|
| THIS DRAWING IS A CONTROLLED DOCUMENT. |  | DIN K. WHITAKER 26JUL2007 |                     | Tyco Electronics Corporation<br>Greensboro, NC 27409               |
| DIMENSIONS: mm [INCHES]                |  | CHK D. COLEY 26JUL2007    |                     | NAME D. COLEY 26JUL2007  |
| TOLERANCES UNLESS OTHERWISE SPECIFIED: |  | 0 PLC ± -                 | APPLICATION SPEC    | PIN HEADER ASSEMBLY, POLARIZED, 2 CIRCUIT UNIVERSAL MATE-N-LOK(TM) |
| MATERIAL SEE TABLE                     |  | 1 PLC ± -                 | WEIGHT              | RESTRICTED TO  |
| FINISH SEE TABLE                       |  | 2 PLC ± ± 0.13 [.005]     | SIZE A1             | CAGE CODE 00779  |
|  |  | 3 PLC ± -                 | DRAWING NO. 1586955 | SCALE 5:1  |
|  |  | 4 PLC ± -                 | CUSTOMER DRAWING    | SHEET 1 OF 1   |
|  |  | ANGLES ± ± 0°30'          |                     | REV B  |

