

Ethernet panel mounting frames - VS-08-A-RJ/MOD-F-IP67-SET-BU - 1652910

Please be informed that the data shown in this PDF Document is generated from our Online Catalog. Please find the complete data in the user's documentation. Our General Terms of Use for Downloads are valid (<http://phoenixcontact.com/download>)




RJ45 panel mounting frame, IP67, with the Freenet system, for round panel cutout, with grommet, without mounting screws, with Freenet RJ45 socket insert, CAT5e, socket on socket



Ethernet

Key Commercial Data

Packing unit	5 pc
Minimum order quantity	5 pc
GTIN	 4 017918 951269
GTIN	4017918951269

Technical data

Mechanical characteristics

Type	RJ45, IP67, version 6
------	-----------------------

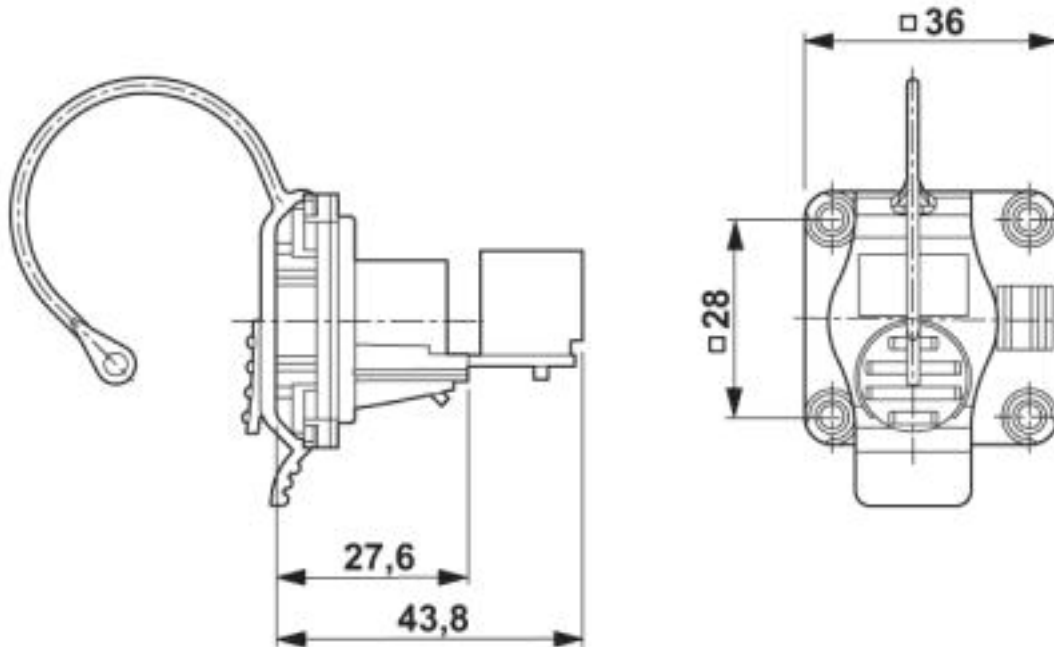
Environmental Product Compliance

China RoHS	Environmentally friendly use period: unlimited = EFUP-e
	No hazardous substances above threshold values

Drawings

Ethernet panel mounting frames - VS-08-A-RJ/MOD-F-IP67-SET-BU - 1652910

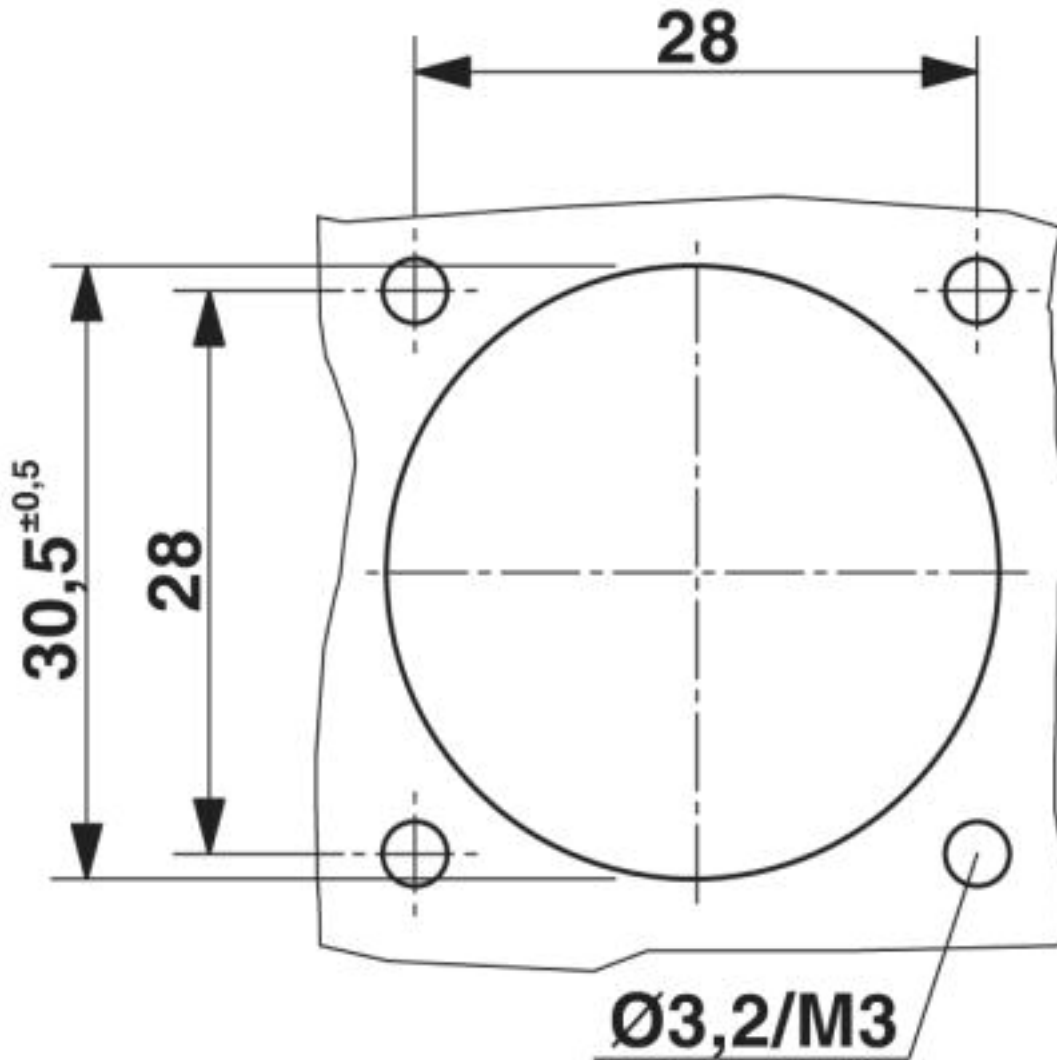
Dimensional drawing



RJ45 panel mounting frame, IP67

Ethernet panel mounting frames - VS-08-A-RJ/MOD-F-IP67-SET-BU - 1652910

Dimensional drawing



Mounting cutout

Approvals

Approvals

Approvals


EAC

Ex Approvals

Ethernet panel mounting frames - VS-08-A-RJ/MOD-F-IP67-SET-BU - 1652910

Approvals

Approval details

EAC		B.01742
-----	---	---------

Phoenix Contact 2019 © - all rights reserved
<http://www.phoenixcontact.com>

PHOENIX CONTACT GmbH & Co. KG
Flachsmarktstr. 8
32825 Blomberg
Germany
Tel. +49 5235 300
Fax +49 5235 3 41200
<http://www.phoenixcontact.com>