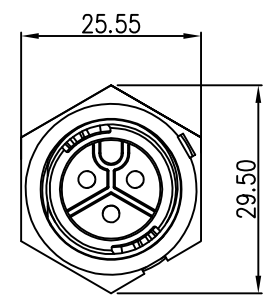
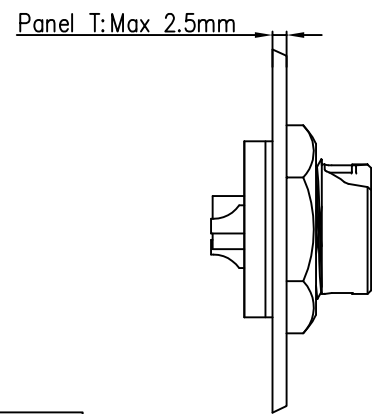
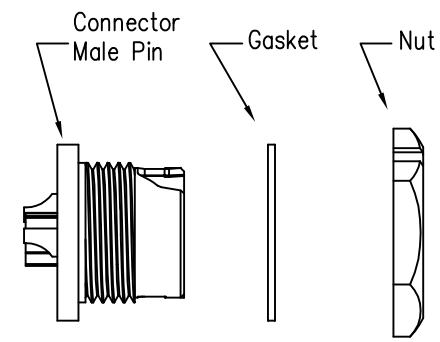
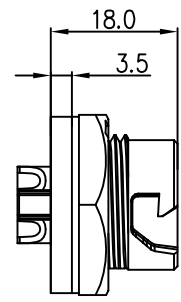


REV.	ECN NO.	DESCRIPTION	SIGN	DATE
C1	N/A	INITIAL DRAWING	Liu	2020/05/27



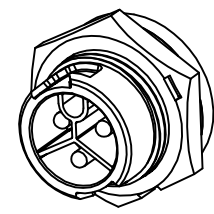
Recommended Panel Cut-Out



23XXX535-01  
Pin Number

- Specification:
- 1.Operation Temperature: -45°C~105°C.
  - 2.Insulation Resistance: 100MΩ at DC500V.
  - 3.Contact Resistance: <math>< 10\text{m}\Omega</math>
  - 4.Withstand Voltage: 2000V AC
  - 5.Operating Current: 20A
  - 6.Operating Voltage: AC 300V
  - 7.Waterproof Rate: IP67 (Mated)
  - 8.Housing: Nylon, Black
  - 9.Male Pin: Copper Alloy, Gold Plated
  - 10.Gasket: Silicon Gray
  - 11.Panel Nut: Nylon, Orange
  - 12.Torque Rate: 0.8~1.0N · m
  - 13.RoHS Compliant.
  - 14.UL Compliant.
  - 15.Mating Cap P/N: 806-00047-00

2 Pin	3 Pin
P/N: 23002535-01	P/N: 23003535-01
Pin Assignments Front View	



**CHOGORI**

UNIT:mm		DESCRIPTION	Middle Series Push Lock Front Mount With Male Pin	PART NO	23XXX535-01	DRAWN BY	Liu	DATE	2020/05/27
TOLERANCE		SCALE:	1:1	SHEET	1 OF 1	CHECKED BY	Mo	DATE	2020/05/27
.X	±0.25	REV.	C1	SIZE	A4	APPROVED BY	Adley	DATE	2020/05/27
.XX	±0.15								
.XXX	±0.05								
ANGLES	±1°								

THIS INFORMATION IS CONFIDENTIAL AND IS DISCLOSED TO YOU ON CONDITION THAT NO FURTHER DISCLOSURE IS MADE BY YOU TO OTHER THAN CHOGORI PERSONNEL WITHOUT AUTHORIZATION FROM CHOGORI CORP.