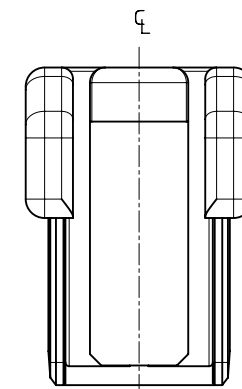
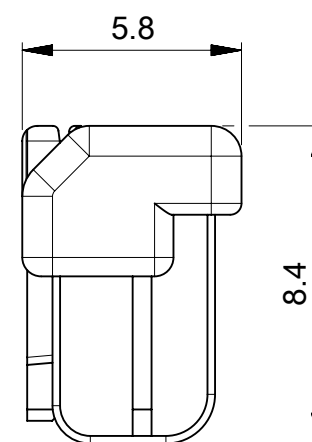


NOTES:

- 適合ターミナルシリーズ : 503657シリーズ  
APPLICABLE TERMINAL : 503657 SERIES
- 嵌合相手 : 503660シリーズ  
MATE WITH : 503660 SERIES
- 偶数極に適用。  
APPLY FOR EVEN CIRCUIT.
- トレードマーク : MXLにて表示。  
キャビティー番号 : 1桁から2桁の数字にて表示。 金型番号 : アルファベット1文字にて表示。  
TRADE MARK IS FORMED BY MXL.  
AND BY 1 - 2 DIGIT NUMBER (TO CAVITY No.)  
AND BY 1 LETTER OF ALPHABET (TO MOLD No.)
- 本製品のプラスチック部に黒点等が確認される場合や、色合いが異なる場合が御座いますが、製品性能に影響は御座いません。  
THERE IS NO INFLUENCE IN THE PRODUCT PERFORMANCE THOUGH THE BLACK SPOT ETC.  
MIGHT BE CONFIRMED TO THE PLASTIC PART OF THIS PRODUCT AND  
THE SHADE MIGHT BE DIFFERENT.
- 製品の取扱いについては、コネクタ取扱説明書(AS-503658-001)を参照願います。  
PLEASE REFER TO INSTRUCTION MANUAL(AS-503658-001).
- ELV及びRoHS適合品  
ELV AND RoHS COMPLIANT.



2,3極形状 (1ロック)  
FIGURE OF 2,3 CIRCUIT (1 LOCK)

|    |    |            |                      |         |
|----|----|------------|----------------------|---------|
| 10 | 14 | 5036580600 | 503658-**00          | 6       |
| 8  | 12 | 5036580500 |                      | 5       |
| B  | A  | ORDER NO.  | CONNECTOR SERIES NO. | CIRCUIT |

|   |        |                           |                |                          |              |
|---|--------|---------------------------|----------------|--------------------------|--------------|
| THIS DRAWING CONTAINS INFORMATION THAT IS PROPRIETARY TO MOLEX ELECTRONIC TECHNOLOGIES, LLC AND SHOULD NOT BE USED WITHOUT WRITTEN PERMISSION |        | CURRENT REV DESC:         |                | <b>molex</b>             |              |
| DIMENSION UNITS   | SCALE  | EC NO: 628958             |                |                          |              |
| MM  | 5:1    | DRWN: AKUMAR19 2018/10/17 |                | PRODUCT CUSTOMER DRAWING |              |
| GENERAL TOLERANCES (UNLESS SPECIFIED)   |        | CHK'D: GGA 2020/01/16     |                | DOCUMENT NUMBER          |              |
| 4 PLACES  | ± 0.2  | APPR: GGA 2020/01/16      |                | SD-503658-001            |              |
| 3 PLACES  | ± 0.25 | INITIAL REVISION:         |                | DOC TYPE                 |              |
| 2 PLACES  | ± 0.3  | DRWN: SSATO02 2010/08/06  |                | PSD                      |              |
| 1 PLACE   | ± 0.1  | APPR: NUKITA 2010/08/16   |                | DOC PART                 |              |
| 0 PLACES  | ±      | ANGULAR TOL ± 1.0°        |                | 001                      |              |
| DRAFT WHERE APPLICABLE MUST REMAIN WITHIN DIMENSIONS  |        | THIRD ANGLE PROJECTION    | DRAWING        | SERIES                   | SHEET NUMBER |
|   |        |                           | A3-SIZE        | 503658                   | 1 OF 1       |
|   |        | MATERIAL NUMBER           | CUSTOMER       |                          |              |
|   |        | SEE TABLE                 | GENERAL MARKET |                          |              |

| 部品<br>PART       | 材質<br>MATERIAL   |
|------------------|--|
| ハウジング<br>HOUSING | ポリエステル(PBT) UL94V-0<br>POLYESTER UL94V-0<br>色 : ナチュラル(白)<br>COLOR : NATURAL(WHITE) |