



Product / Process Change Notification (PCN)

- Major change
 Minor change

PCN #: PCN_UtIBTI MID_20230224

Affected Series: UtIBTI MID; 750315039

PCN Date: February 24, 2023

Effective Date: Effective Immediately

Effected Date Code: Week 8 of Year 2023

Revision: Change from 6B to 6C

Change Category:

- Equipment / Location
 General Data
 Material
 Process
 Product Design
 Shipping / Packaging
 Supplier
 Software

Contact: Design Engineering PCN Specialist

Phone: +1 (605) 886 1427

Fax: +1 (605) 886 4486

E-Mail: pcn.midcom@we-online.com

Data Sheet Change:

- Yes No

Attachment:

- Yes No

Description and purpose of change:

As a datasheet information amendment, Würth Electronics Midcom will correct the Dielectric Test Conditions to include the PRI coil tie.

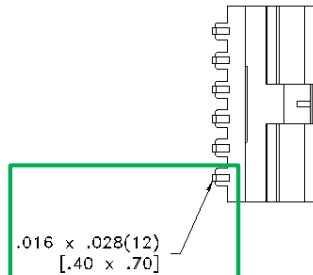
Additionally, in line with internal standardization, Würth Electronics Midcom will add the bare terminal size dimension, update the width and length dimensions, and remove the Turns Ratio Value tolerance. The width dimension is being increased to allow solder spikes during manufacturing.

There will be no change in form, quality or reliability of the product.

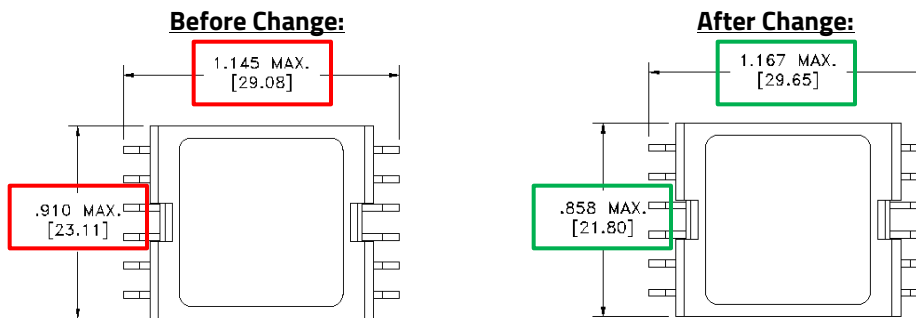
Detail of Change:

Dielectric Test Condition will be corrected from: tie(8+10+12)
to: tie(8+10+12, 2+3)

Bare terminal size dimension will be added:



Width and length dimensions will change



Turns Ratio Value tolerance will be removed: $\pm 1\%$

Reliability / Qualification Summary:

There will be no change of the product, therefore no additional reliability or qualification testing will be performed.