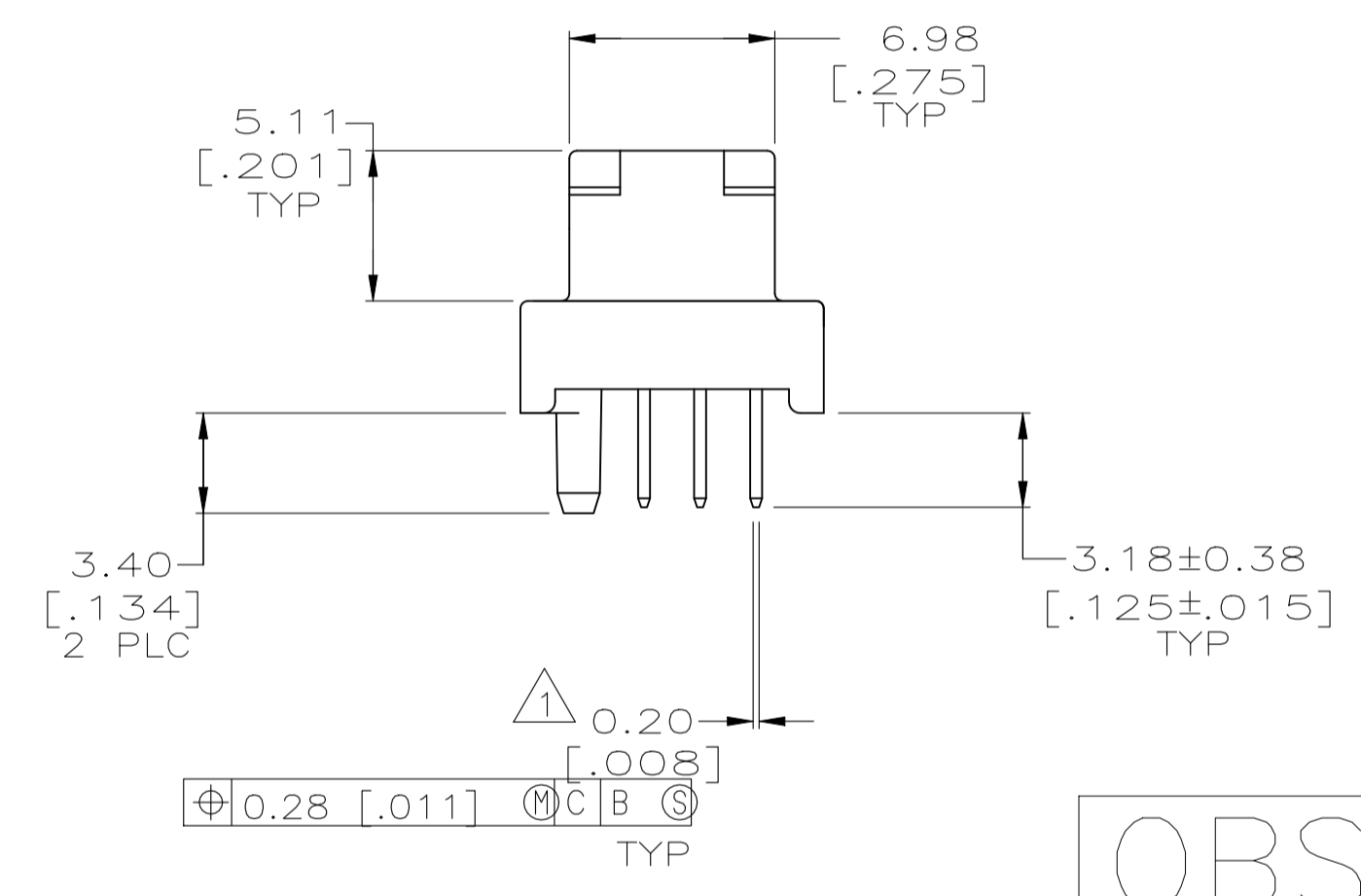
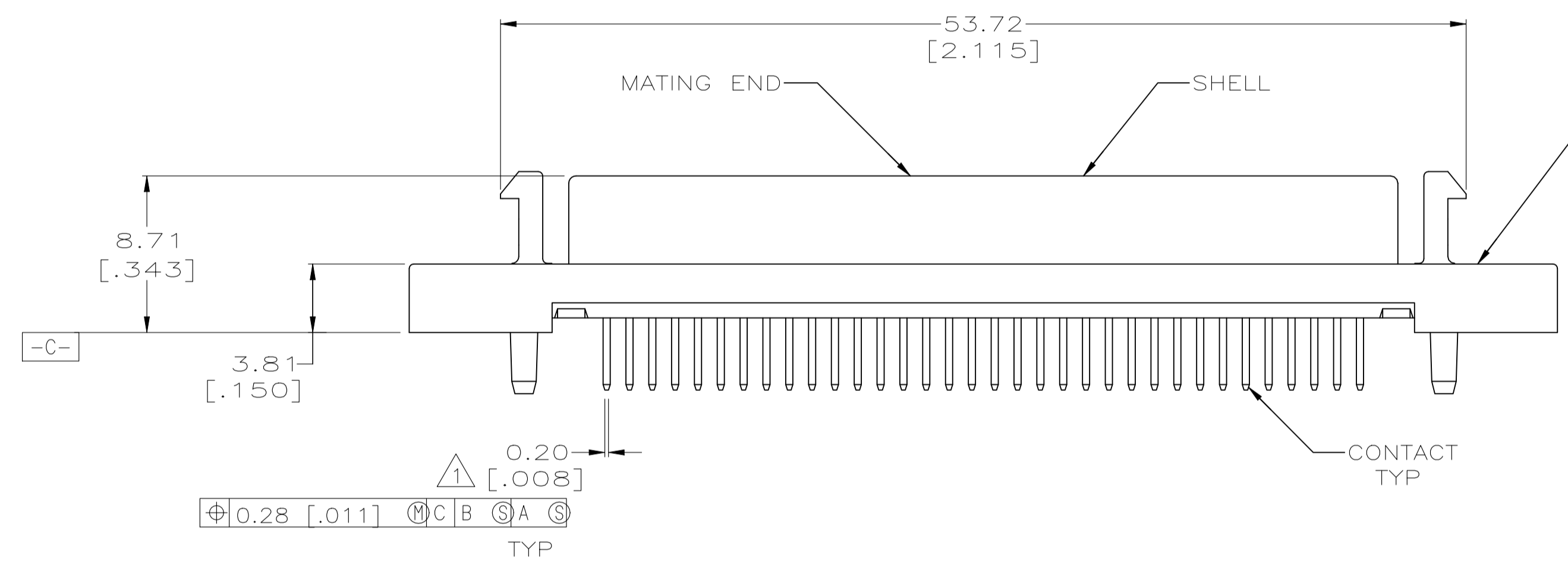
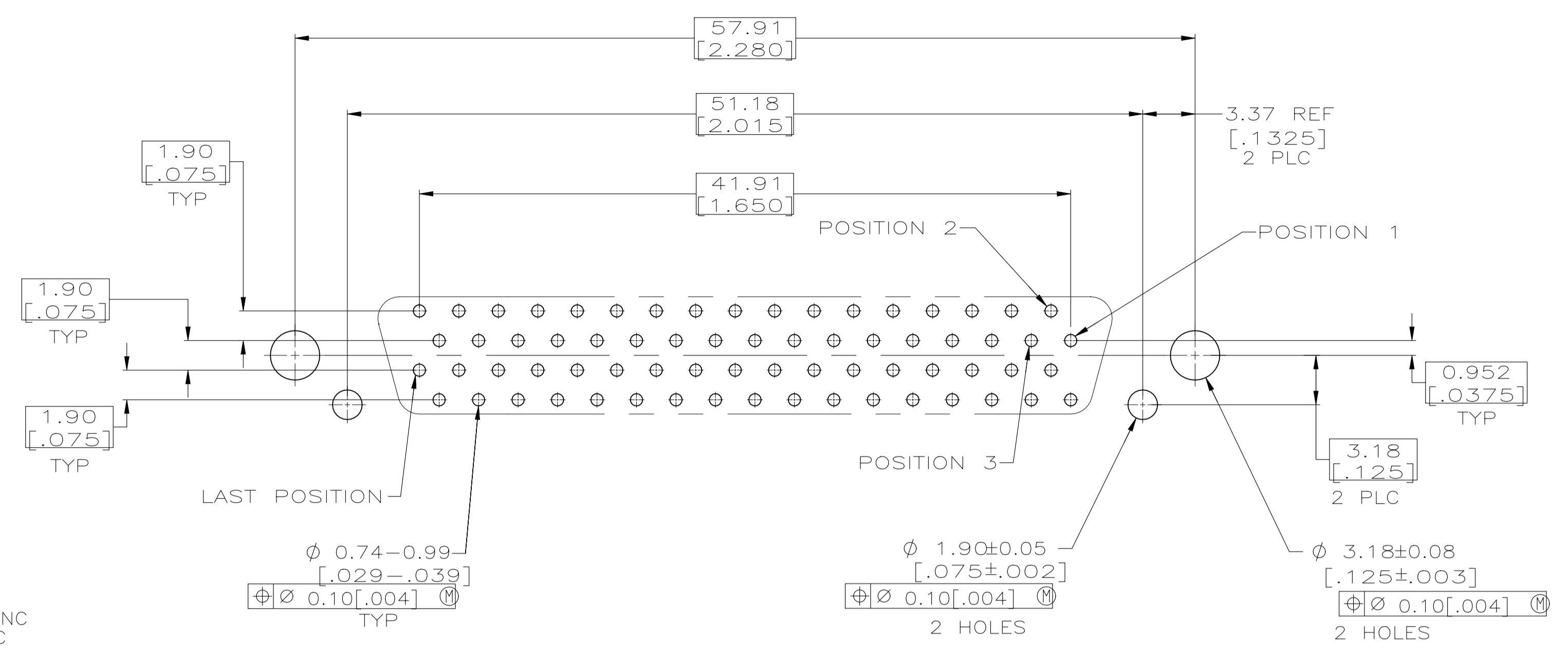
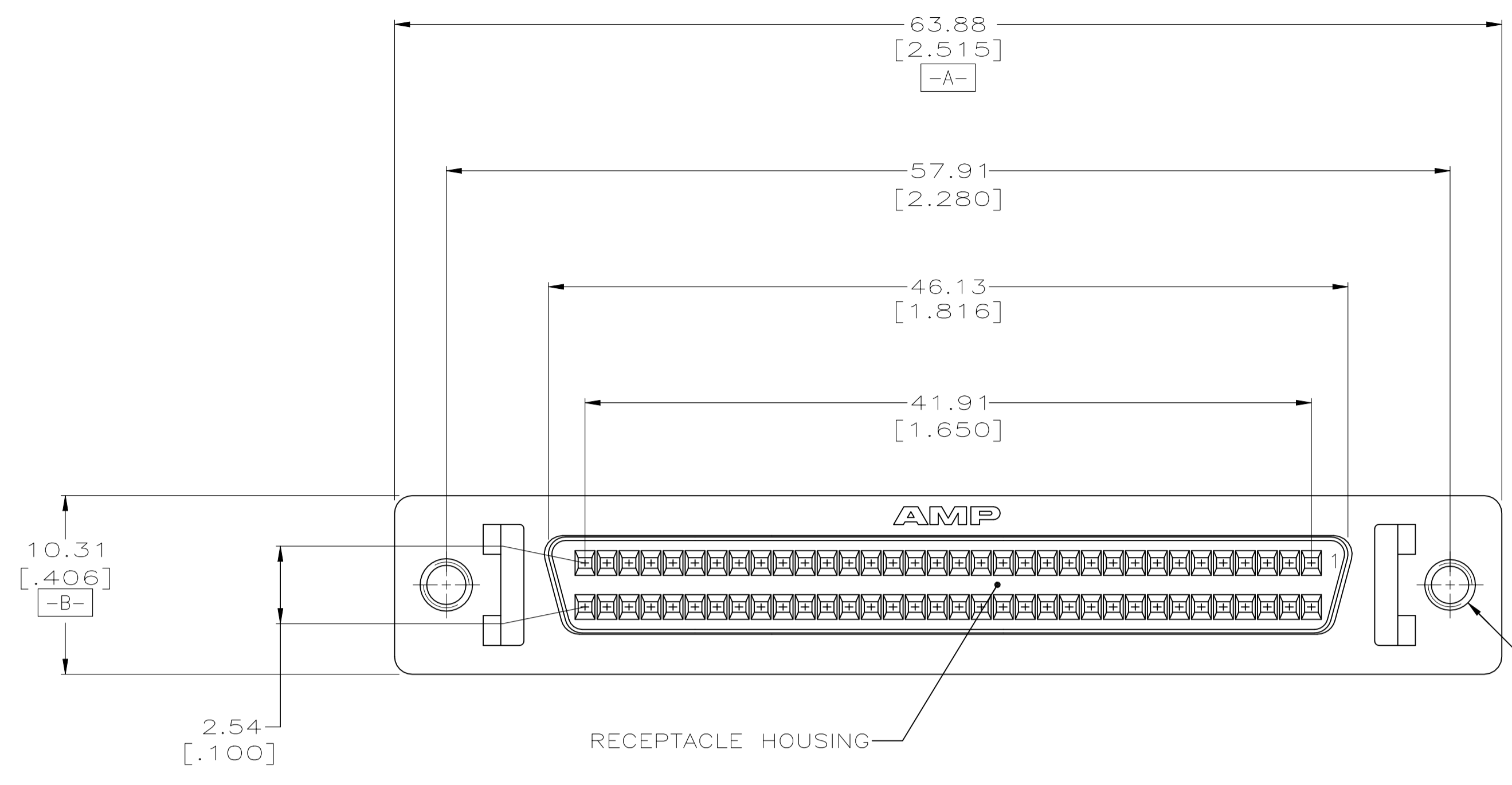
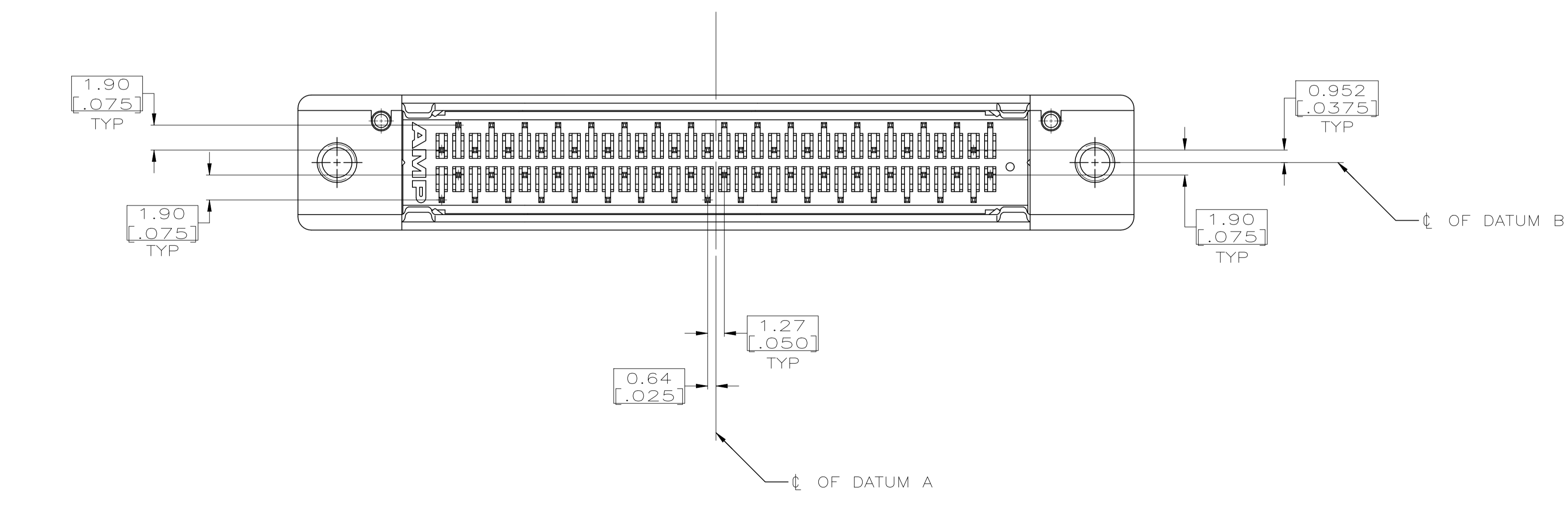


REVISIONS				
REV	DESCRIPTION	DATE	BY	APP'D
D1	ECC-20-016797	06JAN2021	RR	SZ



OBSOLETE

- △ POSITION TOLERANCE APPLIES AT CONTACT TIP.
- △ MATERIAL
RECEPTACLE HOUSING: POLYESTER, UL 94V-0 RATED, BLACK.
SHELL: CARBON STEEL PER ASTM A109.
CONTACT: PHOSPHOR BRONZE PER QQ-B-750.
RECEPTACLE BRACKET: ZINC.
- △ FINISH
SHELL: 5.08µm [.000200] MIN NICKEL OVER 1.27µm [.000050] MIN COPPER.
RECEPTACLE BRACKET: 5.08µm [.000200] MIN TIN OVER 5.08µm [.000200] MIN COPPER.
CONTACT: EITHER 0.76µm [.000030] MIN GOLD FOR A LENGTH OF 0.64 [.025] MIN, 0.13 [.005] MAX FROM MATING END OR GOLD FLASH OVER PALLADIUM NICKEL, 0.76µm [.000030] MIN TOTAL FOR A LENGTH OF 0.64 [.025] MIN, 0.13 [.005] MAX FROM MATING END. 3.81µm [.000150] MIN TIN-LEAD ON OPPOSITE END FOR A LENGTH OF 3.56 [.140] MIN, ALL OVER 1.27µm [.000050] MIN NICKEL UNDERPLATE.



OBSOLETE 796048-1
PART NUMBER

THIS DRAWING IS A CONTROLLED DOCUMENT.		DIN C DORWART 23 OCT 97	TE Connectivity
DIMENSIONS: mm [INCHES]		CIK D ALBERT 05 NOV 97	
TOLERANCES UNLESS OTHERWISE SPECIFIED:		APFD D ALBERT 05 NOV 97	NAME
0 PLC ± -	1 PLC ± -	PRODUCT SPEC	RECEPTACLE ASSEMBLY, 68 POSITION, SHELDED, VERTICAL, .050 SERIES, AMPLIMITE
2 PLC ± 0.13 [.005]	3 PLC ± -	APPLICATION SPEC	108-1228
4 PLC ± -	ANGLES ± -	SIZE	114-40029
MATERIAL	FINISH	WEIGHT	0.000000
		CUSTOMER DRAWING	SCALE 4:1 SHEET 1 of 1 REV D1