

NOTE:

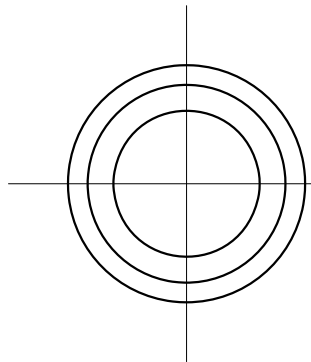
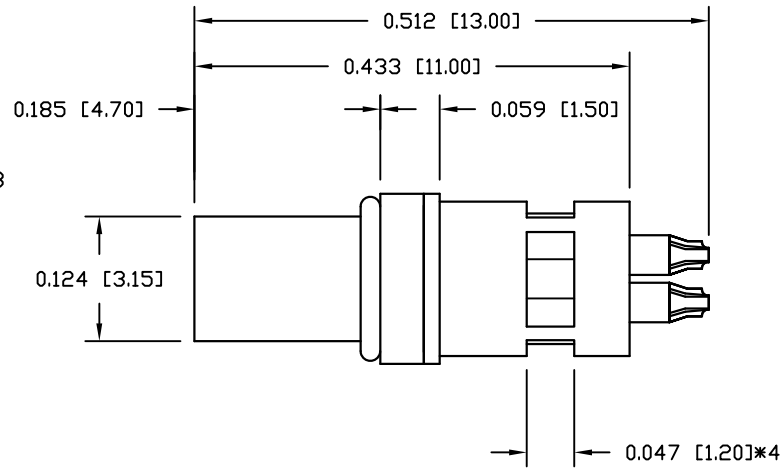
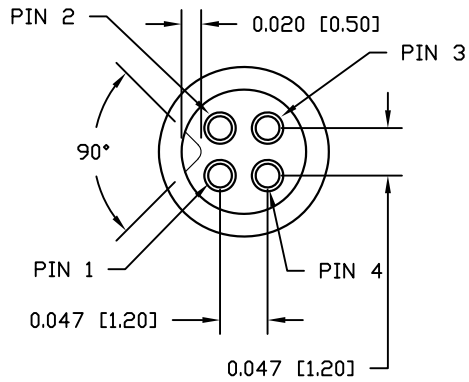
MATERIAL

HOUSING:	TPU, BLACK
SHELL:	BRASS
CONTACT:	BRASS
NUT:	BRASS
O-RING:	NBR, BLACK
FINISH	
SHELL:	TIN PLATED
CONTACT:	GOLD PLATED
	OVER 50 μ NICKEL
	NICKEL PLATED

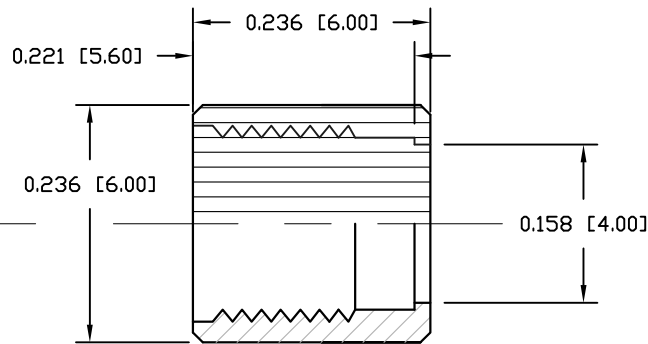
NUT:

ELECTRICAL

RATED CURRENT:	1A
RATED VOLTAGE:	60V
INSULATION RESISTANCE:	100 M Ω MIN.
CONTACT RESISTANCE:	10 m Ω MAX.
WATER PROOF:	IP67
ENVIRONMENT	
OPERATION TEMPERATURE:	-40°C TO +85°C
WIRE GAUGE:	26-28 AWG
MATING TORQUE:	= 1.5 in lbs max.

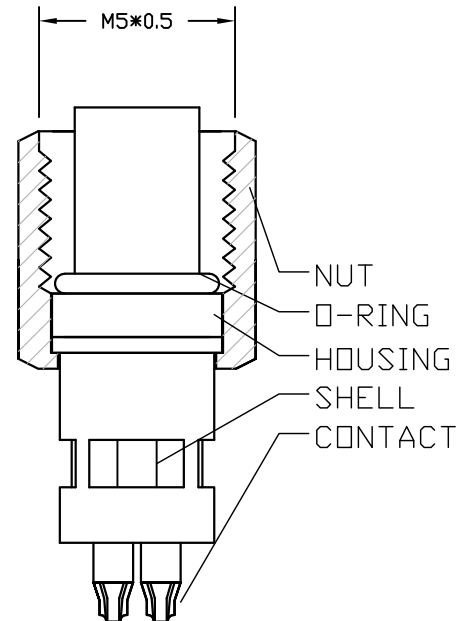


NUT



850-004-203RSSY

1 = GOLD FLASH
4 = 10 μ " GOLD



RoHS COMPLIANT

UNITS = inch [mm]

DO NOT SCALE FROM DRAWING



THESE DRAWINGS AND SPECIFICATIONS ARE THE PROPERTY OF NorComp AND SHALL NOT BE REPRODUCED, COPIED OR USED AS THE BASIS FOR THE MANUFACTURE OR SALE OF APPARATUS WITHOUT WRITTEN PERMISSION.

DRAWN:

M. SIGMON

DATE:

03-04-16

NorComp

SCALE:

NTS

SHEET

1

OF

1

REV

5

DWG NO.

850-004-203RSSY