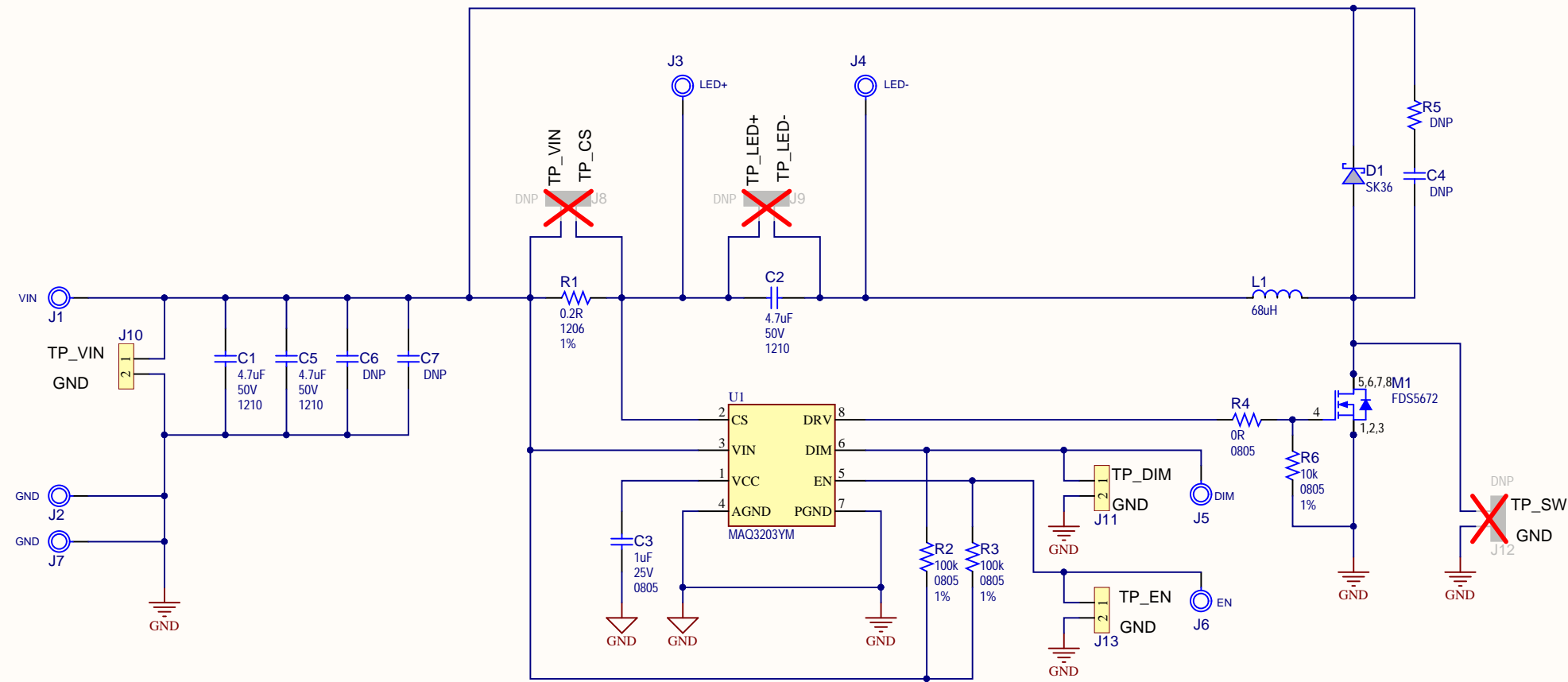


REV	ECO#	DESCRIPTION	DATE



- PAD1  
Rubber Pad Cyl D7.9H5.3
- PAD2  
Rubber Pad Cyl D7.9H5.3
- PAD3  
Rubber Pad Cyl D7.9H5.3
- PAD4  
Rubber Pad Cyl D7.9H5.3

LABEL  

02-	-R1
JIT	

 LABEL Need Help Small

Drawn By: Daniel Dobre	
Engineer: Bogdan Anton	
PartNumber: ADM00940	Project Title <b>MAQ3203YM Evaluation Board</b>
Sheet Title MAQ3203YM Evaluation Board	Designed with 
Size B	Sch #03-10833 Date: 3/7/2018 5:05:27 PM Revision:1 Sheet 1 of 1
File: Mechanical.SchDoc	