

AR14127SCT



Sample image

Order symbol: AR14127SCT

Product nbr: 8561015

Description: PC Enclosure

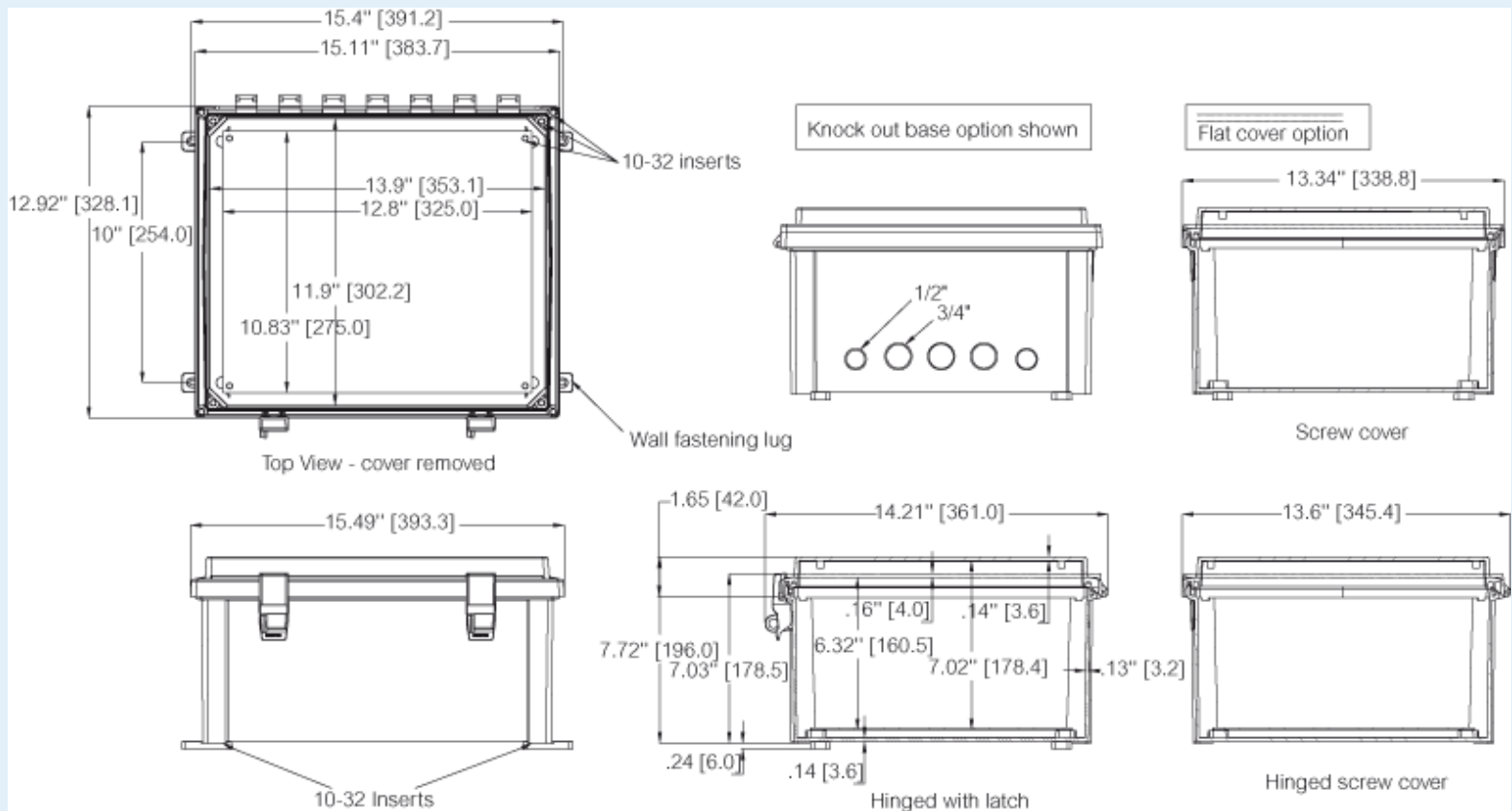
Remarks: Transparent screw cover

EAN: 6418074066428

EI. number:

- Finland:
- Denmark:
- Sweden:

Including: Screw cover. Base with 10-32 brass inserts, cover with formed in place PUR gasket and 4 stainless cover screws. Enclosure mounting foot kit. Accessory 10-32 screws for panel mounting.



| Dimensions: | Height | Width | Depth |
|-------------|--------|-------|-------|
| mm: | 356 | 305 | 178 |
| inch: | 14 | 12 | 7 |

Accessories:

ABP1412 Painted Steel Back Panel (325 x 274)

Materials:

| | |
|------------------|----------------------|
| Material: | Polycarbonate |
| Base colour: | RAL 7035 -light grey |
| Cover colour: | Transparent |
| Gasket material: | Polyurethane |

Temperatures:

| | |
|-------------------------------|-------------|
| Temperature °C (short term):: | -40 ... 140 |
| Temperature °C (continuous): | -40 ... 80 |
| Temperature °F (short term): | -40 ... 250 |
| Temperature °F (continuous): | -40 ... 175 |

| | |
|----------|-------------------------------------------------|
| ASP1412 | Aluminum Swing Panel (305 x 355.7 x 0) |
| ASPHK14 | Swing Panel Kit w/o Panel |
| AMFL12 | 12" Mounting Flange Set |
| ADFP1412 | Dead Front Panel w/ screws (308 x 357.5 x 0) |
| ALBP1412 | Aluminum Back Panel (325 x 274) |
| APBP1412 | PVC Back Panel (325 x 274) |
| ASPK1412 | Swing Panel Kit incl. Panel |

Rating:

| | |
|----------------------------------------|-----------------------|
| Ingress protection (EN 60529): | IP66; IP67; |
| Impact Resistance (EN 62262): | IK09; |
| Electrical insulation: | Not insulated |
| Halogen free (DIN/VDE 0472, Part 815): | 1 |
| UV resistance: | UL 508 |
| Flammability Rating: | UL 508 |
| Glow Wire Test (IEC 695-2-1) °C: | 960 °C |
| NEMA Class | NEMA 4, 4X, 12 and 13 |

Certificates:

ARCA_CertificateofCompliance