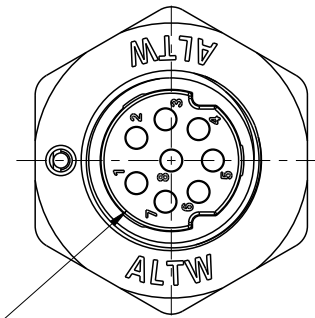
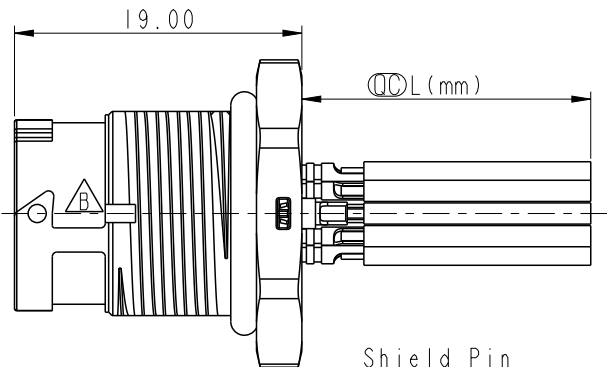
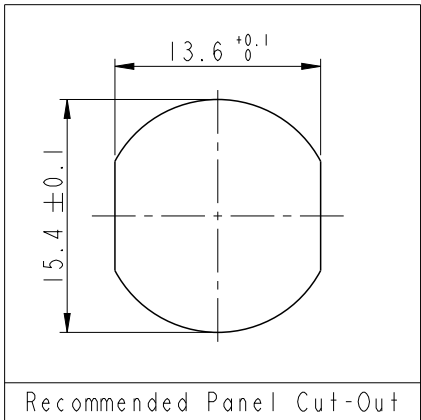


REV.	ECN NO.	DATE	SIGN	DESCRIPTION
A		2022-01-03	Sam Ho	Rev.01 to A, Initial Released
B	C220386	2022-03-29	Sam Ho	⚠ XI

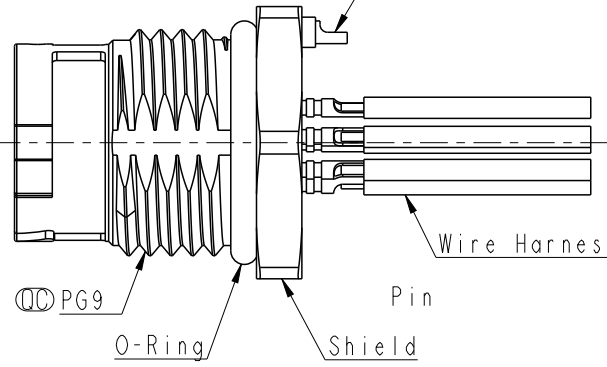
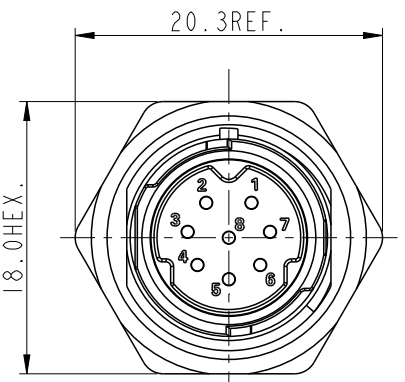


8	Red	紅
7	Blue	藍
6	Pink	粉紅
5	Gray	灰
4	Yellow	黃
3	Green	綠
2	Brown	棕
1	White	白

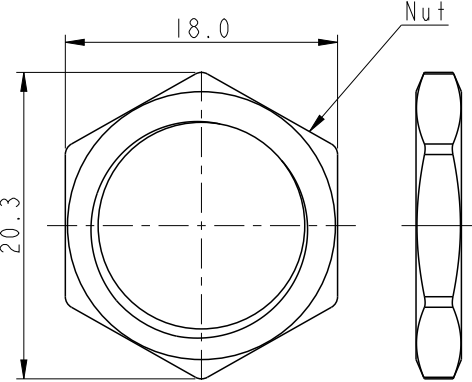
Pin # Wire

8P

Pin Assignments Front View



- Note:
- * RoHS Compliant
 - * Ⓞ Important dimension
 - * Waterproof rate: IPX8, unmated 1m/24h
 - * Housing: Thermoplastic, Black
 - * Pin: Copper Alloy, Gold plated
 - * Shield Pin: Copper Alloy, Gold plated
 - * Shield: Metal
 - * Nut: Metal
 - * O-Ring: Rubber, Black
 - * Wire harness: UL1430, 24#, $\varnothing 1.4$.
 - * For panel thickness max: 4.5mm
 - * Nut is packed separately in pe bag
 - * Wire harness tolerance:
 - 100mm: ± 10 mm
 - 100mm < L \leq 300mm: ± 15 mm
 - 300mm < L \leq 1000mm: ± 20 mm
 - 1000mm < L \leq 1500mm: ± 50 mm



ASU-XXPMMS-QC8AXX

XX: L=10~150cm
 10: L=10cm
 15: L=15cm
 :
 A0: L=100cm
 A1: L=110cm
 :
 XX: No. Of Pin

UNIT:mm		
TOLERANCE		
± 0.50 mm		

TITLE XLOK, A SHLD-2A, 08P, FRONT FASTENED M, M, SOLDER, PUSH LOCK			
SCALE 2:1	SIZE A4	SHEET 1 OF 1	
REV. B	WC-REV.	Ⓞ: Inspection item	

Amphenol LTW
 安費諾亮泰企業股份有限公司

ITEM NO.	DRAWN BY Sam Ho	DATE 2021-12-03
DWG NO. ASU-XXPMMS-QC8AXX	CHECKED BY Fred Lee	DATE 2021-12-03
CUSTOMER ALTW	APPROVED BY Fred Lee	DATE 2021-12-03

THIS DOCUMENT IS SUBJECT TO CHANGE WITHOUT NOTICE. IT IS CONFIDENTIAL AND A PROPERTY OF AMPHENOL LTW. DISCLOSURE TO THIRD PARTY HAS TO BE AUTHORIZED BY AMPHENOL LTW.