

PROPRIETARY INFORMATION:

PROPRIETARY OF GLOBTEK, INC. ANY REPRODUCTION, DISCLOSURE OR USE OF THIS DRAWING, IN WHOLE OR IN PART, IS HEREBY PROHIBITED EXCEPT AS SPECIFIED IN WRITING BY GLOBTEK, INC.

By customer signing or accepting this document, they agree to acknowledge and accept the **Guidelines and cautions, Safety Notes, and Safety Precautions published on GlobTek’s website** http://en.globtek.com/safety-cautions.php#.UUD-NRzU_I8

GlobTek offers a 5-year warranty on workmanship and electrical components assembly on all new battery pack products excluding the battery cells themselves which are covered by the Manufacturer's original warranty at their published warranty period. Please refer to the manufacturer's warranty policy for cells. For GlobTek brand cells, GlobTek provides a 12-month warranty for Li-Ion batteries. The warranty period is based upon the expectation that the battery will deliver 80% of its initial capacity after 300 cycles at low to moderate power loads. High power loads may cause a battery to reach 80% of initial capacity in less than the 12-month warranty period. Li-Ion batteries will continue to operate below the 80% capacity threshold; however, the capacity (run time) delivered between charges will continue to decrease.

The purchaser of this product (Customer) agrees that it is their sole responsibility to determine suitability of the product described for their application and to take precautions for protection against any hazards attendant to the handling and use of the product. Products sold are not returnable. GlobTek, Inc. will produce or provide its products to our published specifications. The purchaser of this product (Customer) shall be solely responsible for determining the products’ fitness for use in their applications.

Customer Approval of Specification:

Please approve, sign and send back to GlobTek so we can complete order processing.
A delay in receipt of this form will delay delivery schedule.

Company Name:

Customer P/N:

Quote Number:

Date:

Authorized Representative Name:


Foot Note:

Globtek Inc. will not be liable for the safety and performance of these power supplies if unauthorized access and repair occurs. End user should consult applicable UL, CSA or EN standards for proper installation instruction.

Limitation of Use:

Globtek product are not authorized for use as mission critical components in life support hazardous environment, nuclear or aircraft applications without prior written approval from the CEO of Globtek Inc.

Contents of this document are subject to change without prior notice

 GlobTek, Inc. www.globtek.com 186 Veterans Drive, Northvale, NJ 07467 Tel. 201-784-1000 Fax 201-784-0111	Drawing Title: 4S1P Lithium-Ion Battery Pack with Built-in Fuel Gauge and Charger, 4 Cells, 14.8Volts@3100mAh	
	MODEL NO: NCR18650A PART NO: BL3100C1865004S1PGSA	SHEET 2 of 8 REV D

PROPRIETARY INFORMATION:

PROPRIETARY OF GLOBTEK, INC. ANY REPRODUCTION, DISCLOSURE OR USE OF THIS DRAWING, IN WHOLE OR IN PART, IS HEREBY PROHIBITED EXCEPT AS SPECIFIED IN WRITING BY GLOBTEK, INC.

NOTES:

DIMENSIONS ARE IN MM UNLESS SPECIFIED OTHERWISE.



1. ELECTRICAL SPECIFICATIONS:

Rated Capacity	3100	mAh Typical
Nominal Voltage	14.8	Volts
Watt-Hour Rating	45.88	Watt Hour

2. GENERAL SPECIFICATIONS:

Cell Brand	Panasonic	
Cell Size	Cylindrical 18650	
Cell Configuration	4S1P	
Thermistor (NTC) Inside Pack	None	
Maximum Discharge Current	1C	
Minimum Discharge Voltage	9.6	Volts
Internal Impedance	≤450	milli Ohms
Protection Module	Built-in inside the battery pack	
Pack ID	None	
Fuel Gauge IC Used	BQ20Z70-V160	
Fuel Gauge Data Access Method	SMBus	
MOS:	AO4407	
WEIGHT:	190	g

3. CHARGER SPECIFICATIONS:

Charger Circuit	Built-in inside the battery pack	
Charging Method	Constant Current and Constant Voltage	
Charge Termination Method	Minimum Charge Current and Safety Timer as back-up	
Charge Management IC:	BQ29330DBRT	
Charger Input Voltage	17.5 to 20	Volts
Charger Input Current	0.8 to 1.0	A (Max)
Charging Time (Approximate)	4	Hours
Max. Charging Voltage	16.8±0.168	Volts ± 2%

4. Protection

Overcharge Voltage	17.2	Volts
Overdischarge Voltage	11	volts
Overtemperature	Overtemperature circuit built-in inside the protection module	

5. AMBIENT CONDITIONS:

Ambient Temperature During Charging	0°C to +40°C
Ambient Temperature During Discharging	-20°C to +60°C
Storage Temperature and Charge Retention	1 Year at -20C to +20C; >80% 3 Months at -20C to +45C; >80% 1 Month at -20C to +60C; >80%
Humidity	65 +/- 20% Relative Humidity

GlobTek, Inc. www.globtek.com 186 Veterans Drive, Northvale, NJ 07467 Tel. 201-784-1000 Fax 201-784-0111	Drawing Title: 4S1P Lithium-Ion Battery Pack with Built-in Fuel Gauge and Charger, 4 Cells, 14.8Volts@3100mAh	
	MODEL NO: NCR18650A PART NO: BL3100C1865004S1PGSA	REV D

PROPRIETARY INFORMATION:

PROPRIETARY OF GLOBTEK, INC. ANY REPRODUCTION, DISCLOSURE OR USE OF THIS DRAWING, IN WHOLE OR IN PART, IS HEREBY PROHIBITED EXCEPT AS SPECIFIED IN WRITING BY GLOBTEK, INC.

6. REGULATORY APPROVALS

Cells Approved To

UL 1642

Pack Approved To

ROHS

Complies with EU 2002/95/EC and China SJ/T 11363-2006

Transportation

Designed to meet UN 38.3

7. WARRANTY

Warranty

5 years warranty on the battery pack excluding the cells themselves which are covered by the Manufacturer's original warranty at their published warranty period. Please refer to the manufacturer's warranty policy for cells.

 **GlobTek, Inc.**

www.globtek.com

186 Veterans Drive, Northvale, NJ 07467

Tel. 201-784-1000 Fax 201-784-0111

Drawing Title: 4S1P Lithium-Ion Battery Pack with Built-in

Fuel Gauge and Charger, 4 Cells, 14.8Volts@3100mAh

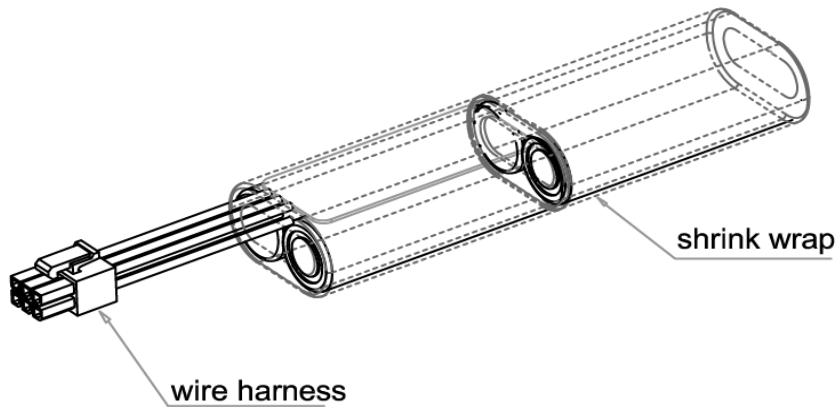
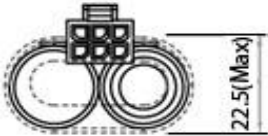
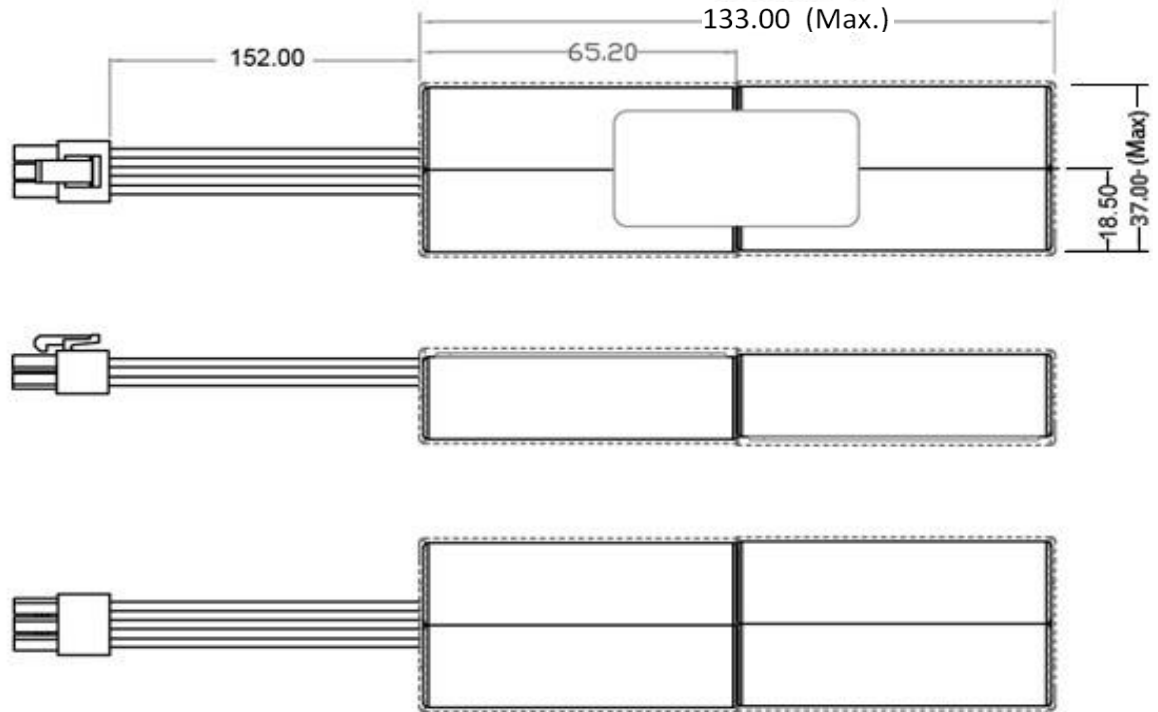
MODEL NO: NCR18650A

PART NO: BL3100C1865004S1PGSA

REV D

8. MECHANICAL

Dimensions: in mm

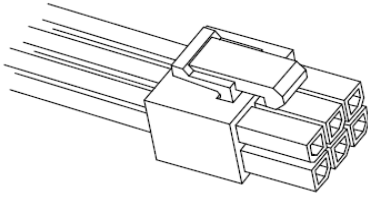


PROPRIETARY INFORMATION:

PROPRIETARY OF GLOBTEK, INC. ANY REPRODUCTION, DISCLOSURE OR USE OF THIS DRAWING, IN WHOLE OR IN PART, IS HEREBY PROHIBITED EXCEPT AS SPECIFIED IN WRITING BY GLOBTEK, INC.

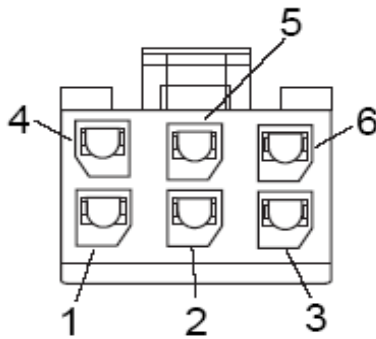
9. OUTPUT CORD AND CONNECTOR:

ACTUAL CONNECTOR'S, OVERMOLDS, FERRITES, MAY VARY SLIGHTLY FROM THE PICTURE BELOW



	Equivalent	Y/N	
Cable Type			UL1007
Cable Length			152 mm
Wire gauge			20 AWG
Connector		Y	Molex 6-pin P/N: 43025-0600
Terminals		Y	Molex P/N: 43030-0001
Pin Assignment and Wire Color			Pin 1: Vin+(Red)
			Pin 2: COM(Black)
			Pin 3: SMBC(Yellow)
			Pin 4: SMBD(Green)
			Pin 5: BAT+(Red)
			Pin 6: COM(Black)
Other requirements			N/A

FRONT VIEW

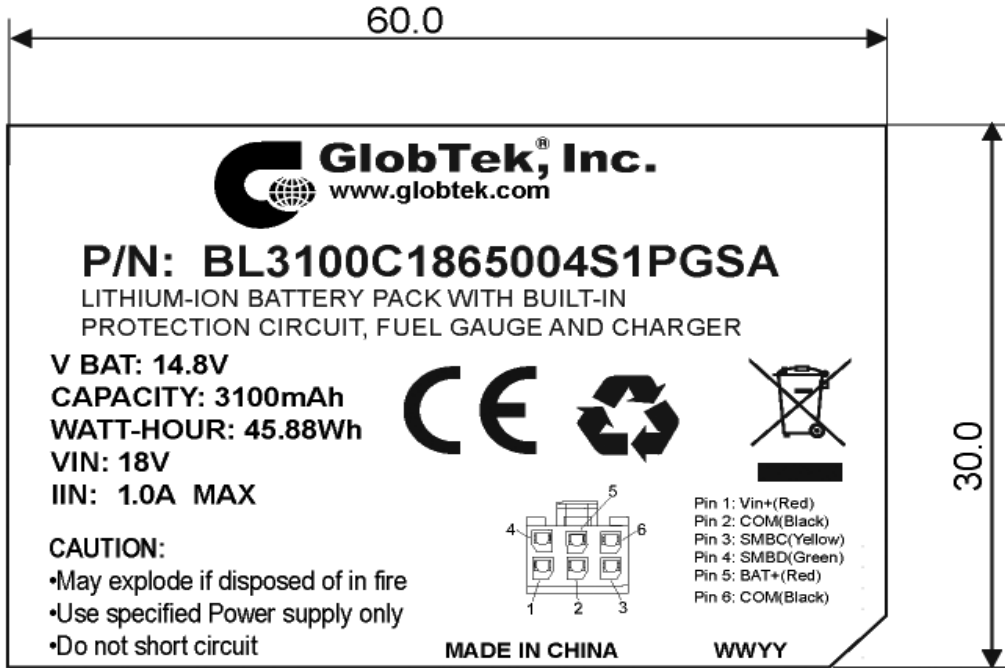


PROPRIETARY INFORMATION:

PROPRIETARY OF GLOBTEK, INC. ANY REPRODUCTION, DISCLOSURE OR USE OF THIS DRAWING, IN WHOLE OR IN PART, IS HEREBY PROHIBITED EXCEPT AS SPECIFIED IN WRITING BY GLOBTEK, INC.

10. LABEL:

MATERIAL	FLAT THERMAL TRANSFER, IMPRINTABLE, POLYESTER SHEET
BACKGROUND COLOR:	WHITE OR SILVER
TEXT COLOR:	BLACK
LABEL WIDTH: (mm)	60.0 mm
LABEL HEIGHT: (mm)	30.0 mm

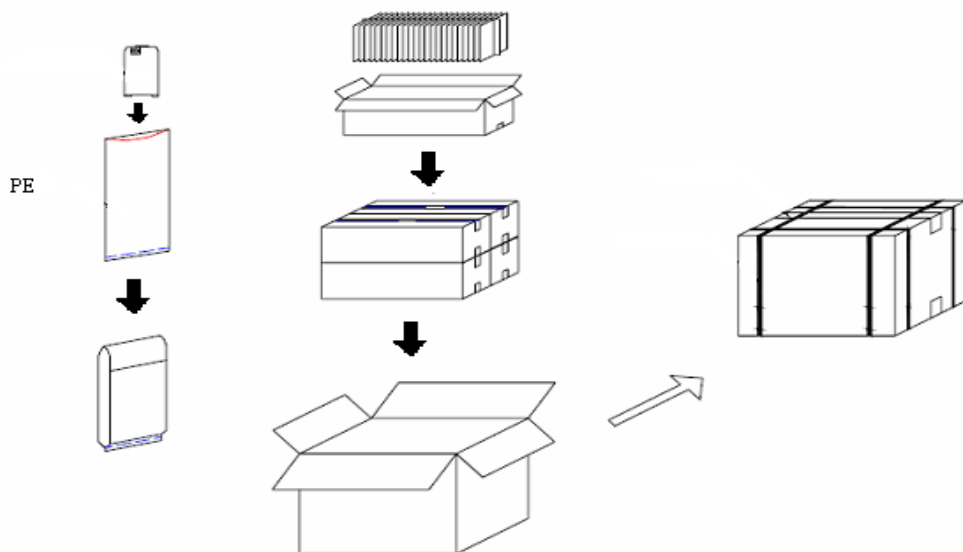


PROPRIETARY INFORMATION:

PROPRIETARY OF GLOBTEK, INC. ANY REPRODUCTION, DISCLOSURE OR USE OF THIS DRAWING, IN WHOLE OR IN PART, IS HEREBY PROHIBITED EXCEPT AS SPECIFIED IN WRITING BY GLOBTEK, INC.

11. PACKING

PE BAG SIZE	TBD
CARTON SIZE:	TBD
QUANTITY PER CARTON:	TBD
G.W.	TBD



GlobTek, Inc.

www.globtek.com

186 Veterans Drive, Northvale, NJ 07467

Tel. 201-784-1000 Fax 201-784-0111

Drawing Title: 4S1P Lithium-Ion Battery Pack with Built-in Fuel Gauge and Charger, 4 Cells, 14.8Volts@3100mAh

MODEL NO: NCR18650A

PART NO: BL3100C1865004S1PGSA

REV D