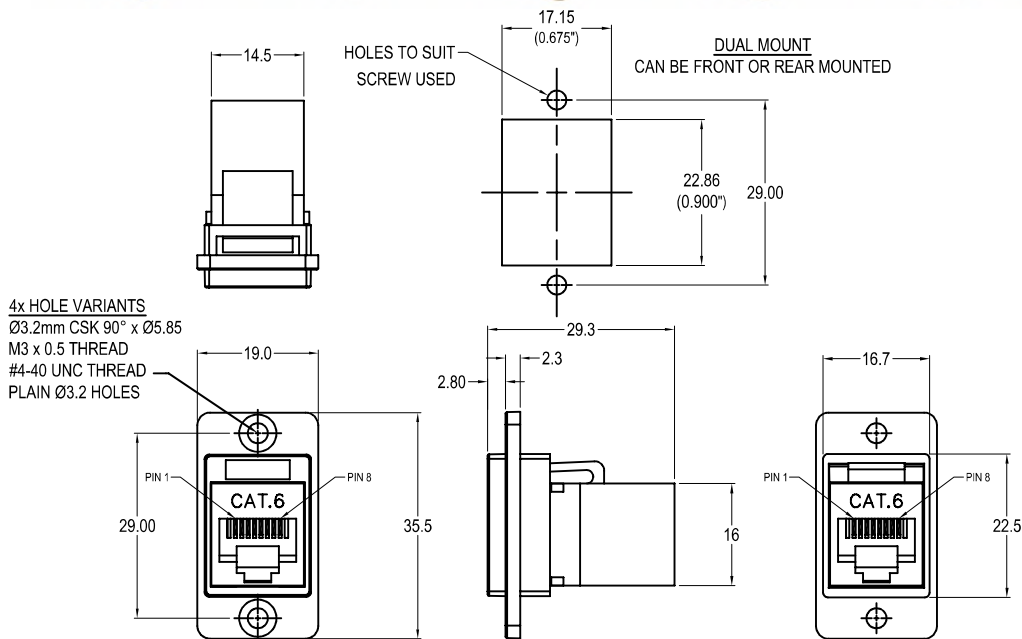


# CLIFF

## DUALSLIM CAT.6 RJ45 METAL FRAME FEEDTHROUGH CONNECTOR

Can be front or rear mounted in the panel



### VARIANTS

#### Part No.

|                     |   |
|---------------------|---|
| <b>CP30722M</b>     | DUALSLIM Cat.6 RJ45 Nickel frame, CSK holes             |
| <b>CP30722MB</b>    | DUALSLIM Cat.6 RJ45 Black metal frame, CSK holes        |
| <b>CP30722M3</b>    | DUALSLIM Cat.6 RJ45 Nickel frame, M3 holes              |
| <b>CP30722MB3</b>   | DUALSLIM Cat.6 RJ45 Black metal frame, M3 holes         |
| <b>CP30722M440</b>  | DUALSLIM Cat.6 RJ45 Nickel frame, #4-40 holes           |
| <b>CP30722MB440</b> | DUALSLIM Cat.6 RJ45 Black metal frame, #4-40 holes      |
| <b>CP30722MX1</b>   | DUALSLIM Cat.6 RJ45 Nickel frame, Ø3.2 PLAIN holes      |
| <b>CP30722MBX1</b>  | DUALSLIM Cat.6 RJ45 Black metal frame, Ø3.2 PLAIN holes |

#### Feedthrough Features

- Fits standard rectangular cutout.
- Front or rear mounting through the panel.
- Various hole mounting options.
- No soldering or punch termination. Use standard cable for each connector style.
- Low rear profile.

#### General:

Please note: Functionality is affected by cable quality, length and cable wiring configuration.

#### Material:

- 1.RJ45 In-Line Coupler:  
PC/ABS, UL 94V-0
- 2.RJ45 In-Line Coupler Contact:  
Phosphor Bronze, 3-50 micro inches gold plating over nickel plate.
- 3.PCB: FR4, UL 94V-0
4. Frame: Diecast, Nickel or Black plated

#### Performance:

- 1.T568A & T568B wiring.
- 2.Meet ISO/IEC 11801 and EN50173
- 3.Meet ANSI/TIA/EIA 568B.2
- 4.Operating temperature: Min -10°C Max +60°C