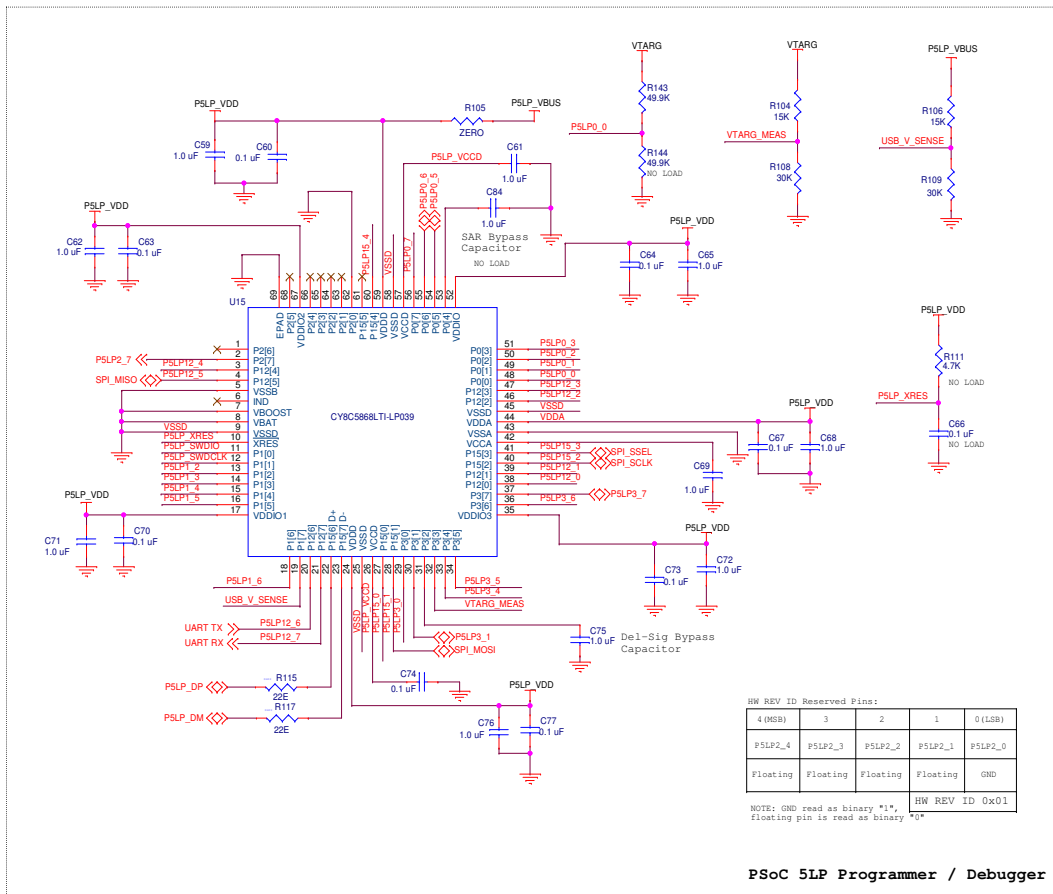
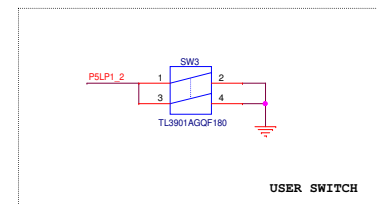
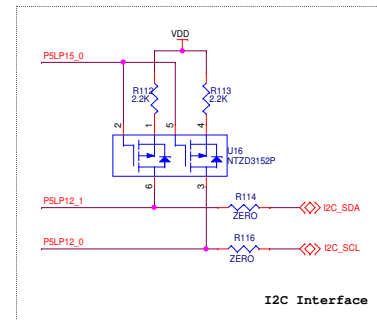
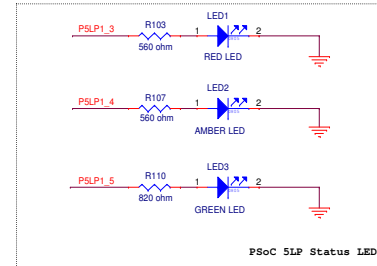


PCBA: 121-60299-01
 PCB: 600-60321-01
 FAB DRW: 610-60296-01
 ASSY DRW: 620-60304-01

CYPRESS SEMICONDUCTOR © 2016		
Title		
CY8CKIT-041-40XX PSoc 4 S-Series Pioneer Kit		
Size	Document Number	Rev
A	630-60302-01	07
Date:	Monday, April 04, 2016	Sheet 1 of 6



PSoC 5LP Programmer / Debugger



USB-Serial Bridge Connections

PSLP12_7	UART RX
PSLP12_5	UART TX
PSLP12_0	I2C_SCL
PSLP12_1	I2C_SDA
PSLP15_0	I2C_PULLUP_EN
PSLP12_5	SPI_MISO
PSLP15_1	SPI_MOSI
PSLP15_2	SPI_SCLK
PSLP15_3	SPI_SS

PSoC Programming Connections

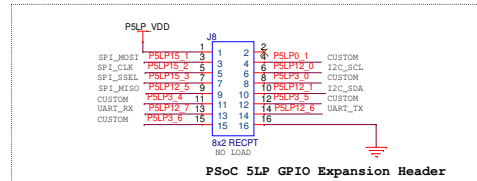
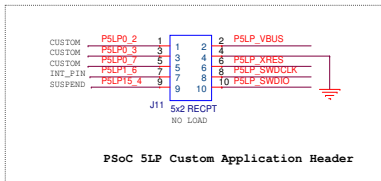
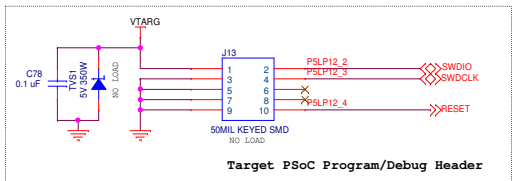
PSLP15_7	USB_DM
PSLP15_6	USB_DP
PSLP1_7	USB_V_SENSE
PSLP12_2	SWD_IO
PSLP12_3	SWD_CLK
PSLP12_4	SWD_XRES
PSLP1_0	PSLP_SWDIO
PSLP1_1	PSLP_SWDCLK
XRES	PSLP_XRES

USER Interface Connections

PSLP1_2	User Switch
PSLP1_3	Status LED RED
PSLP1_4	Status LED AMBER
PSLP1_5	Status LED GREEN

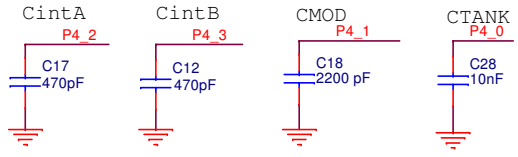
Special Functions Connections

PSLP1_6	INT_PIN
PSLP15_4	SUSPEND

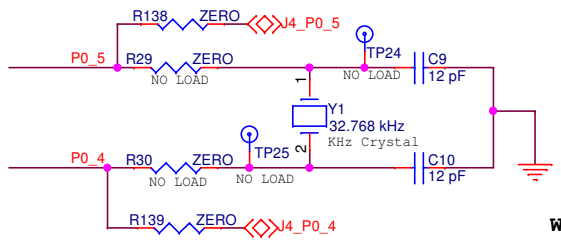


PCBA: 121-60299-01
 PCB: 600-60321-01
 FAB DRW: 610-60296-01
 ASSY DRW: 620-60304-01

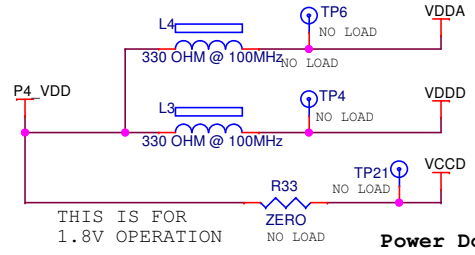
CYPRESS SEMICONDUCTOR © 2016			
File	CY8CKIT-041-40XX PSoC 4 S-Series Pioneer Kit		
Size	Document Number	Rev	
Custom	630-60302-01	07	
Date:	Tuesday, April 05, 2016	Sheet	2 of 6



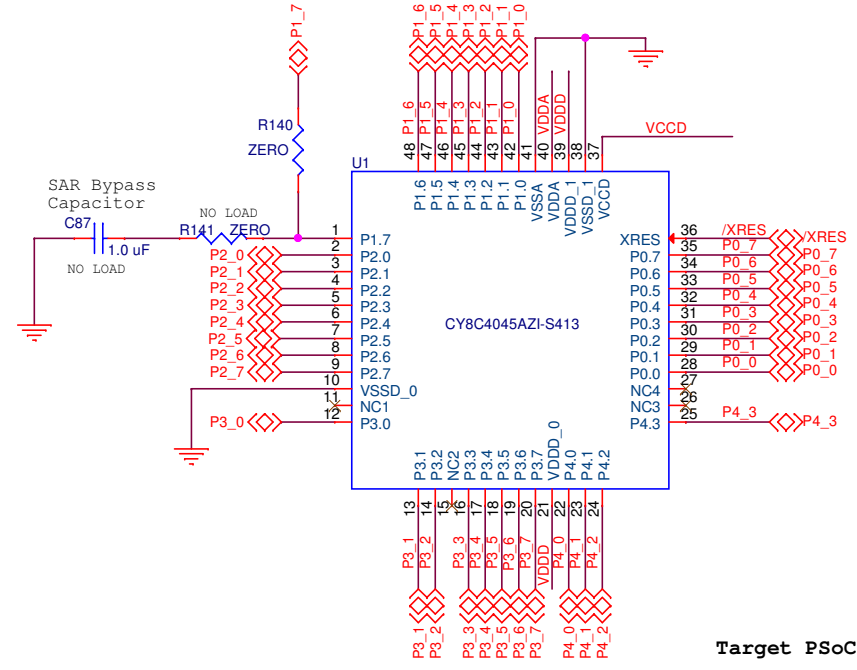
CapSense Discrete Capacitors



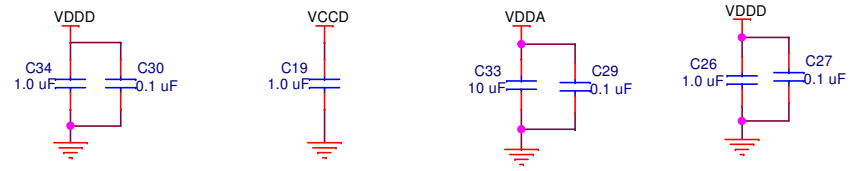
WCO



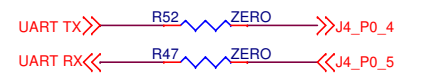
Power Domain



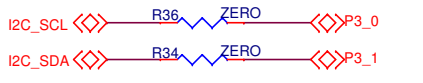
Target PSoC Device



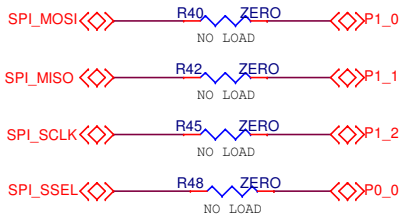
Place each pair of caps close to Power Pins



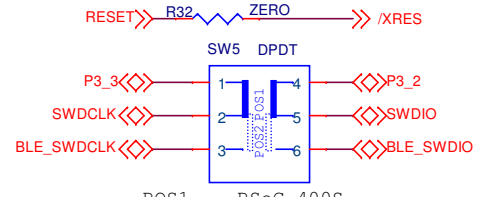
UART Interface



I2C Interface



SPI Interface

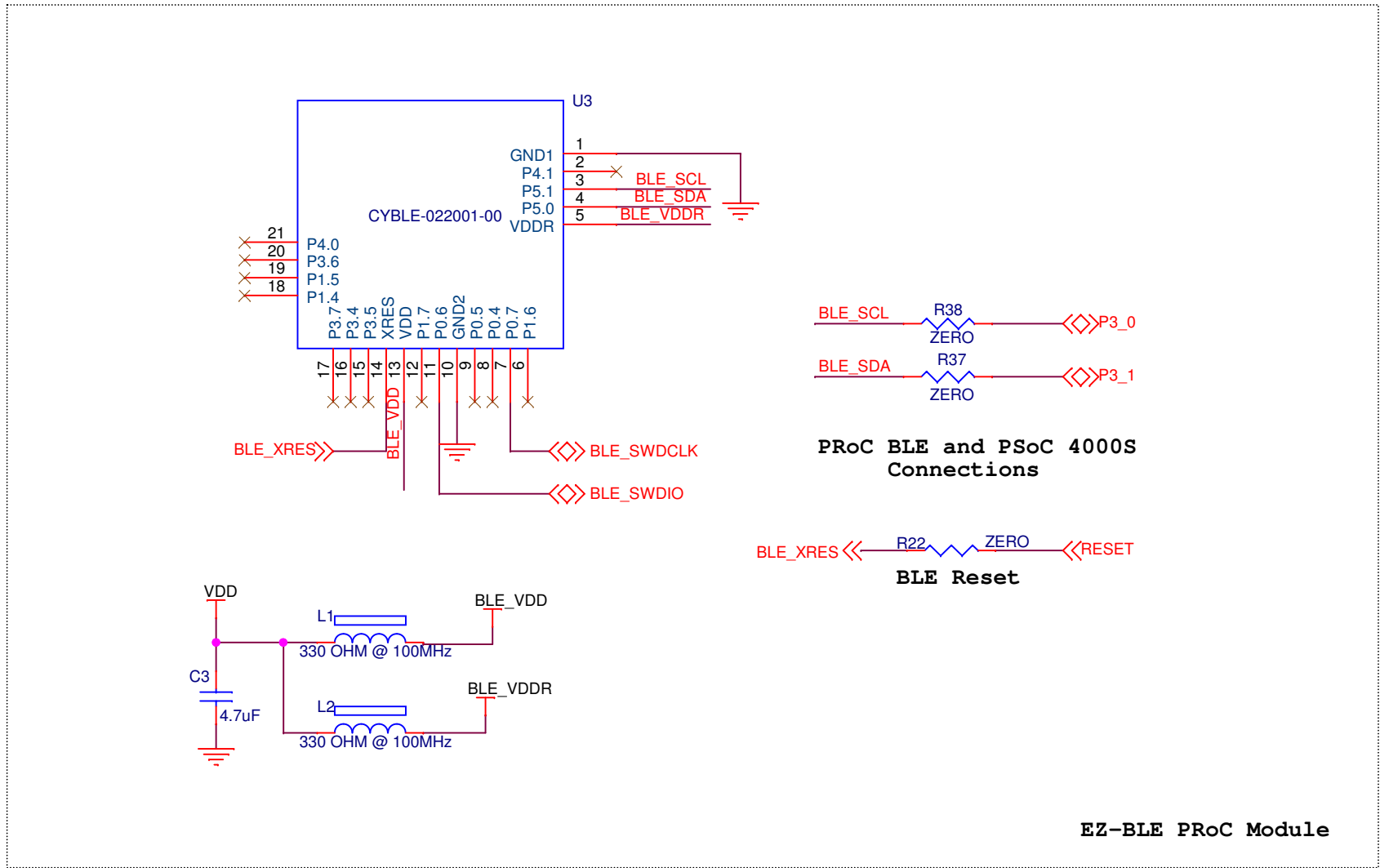


SWD Programming Interface

PSoC 5LP and PSoC 4000S Connections

PCBA: 121-60299-01
 PCB: 600-60321-01
 FAB DRW: 610-60296-01
 ASSY DRW: 620-60304-01

CYPRESS SEMICONDUCTOR © 2016		
Title CY8CKIT-041-40XX PSoC 4 S-Series Pioneer Kit		
Size	Document Number	Rev
Custom	630-60302-01	07
Date:	Thursday, February 25, 2016	Sheet 3 of 6



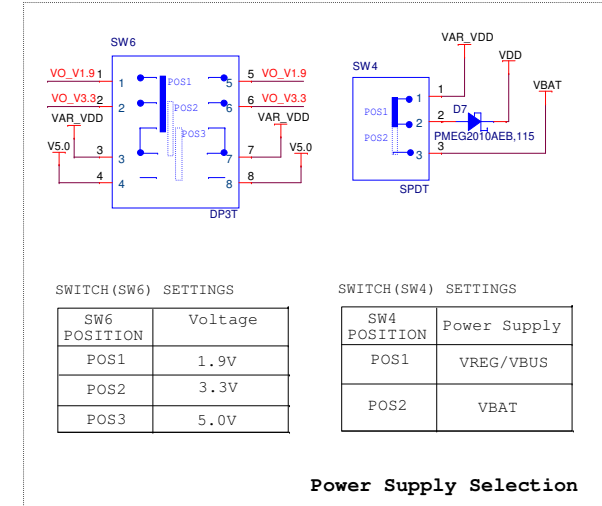
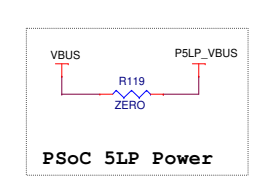
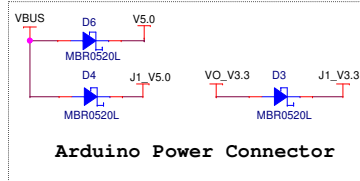
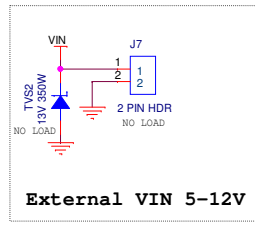
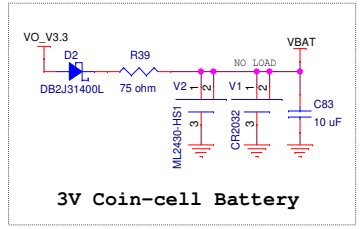
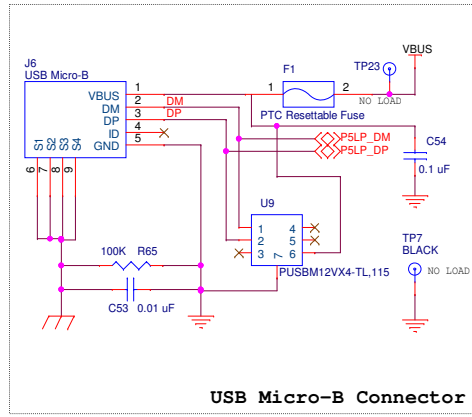
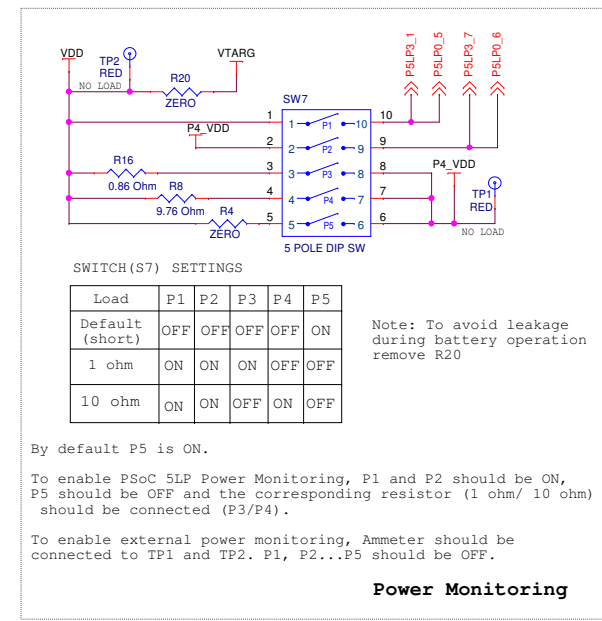
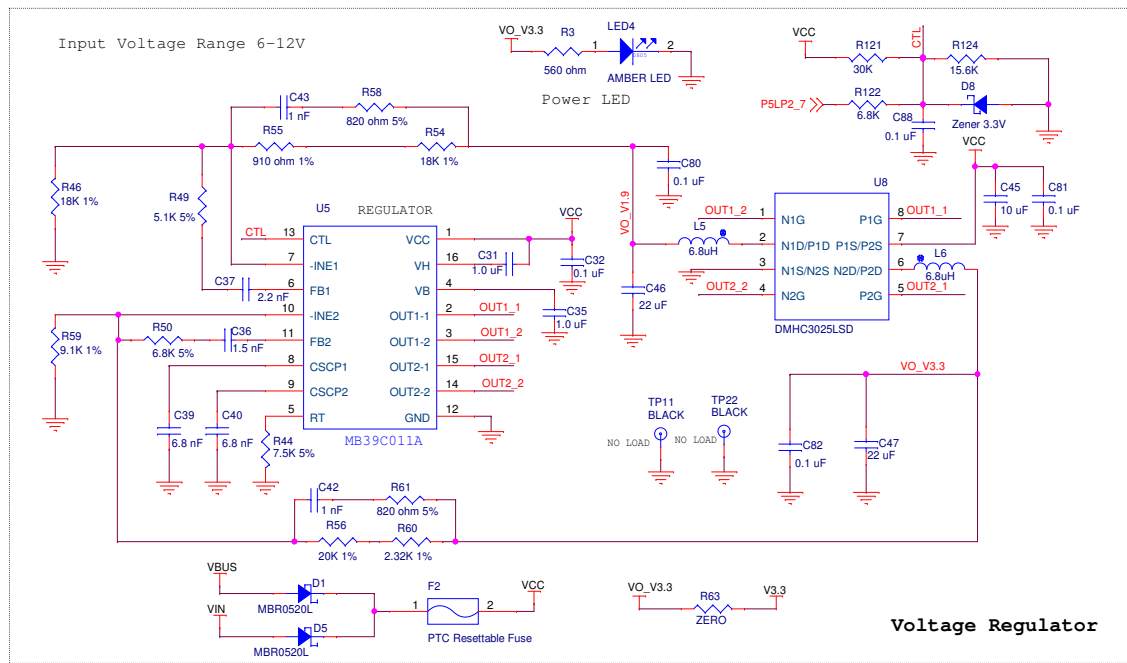
ProC BLE and PSoC 4000S Connections

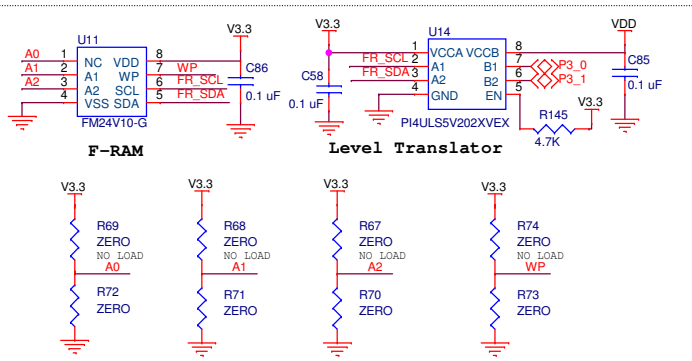
BLE Reset

EZ-BLE PSoC Module

PCBA: 121-60299-01
 PCB: 600-60321-01
 FAB DRW: 610-60296-01
 ASSY DRW: 620-60304-01

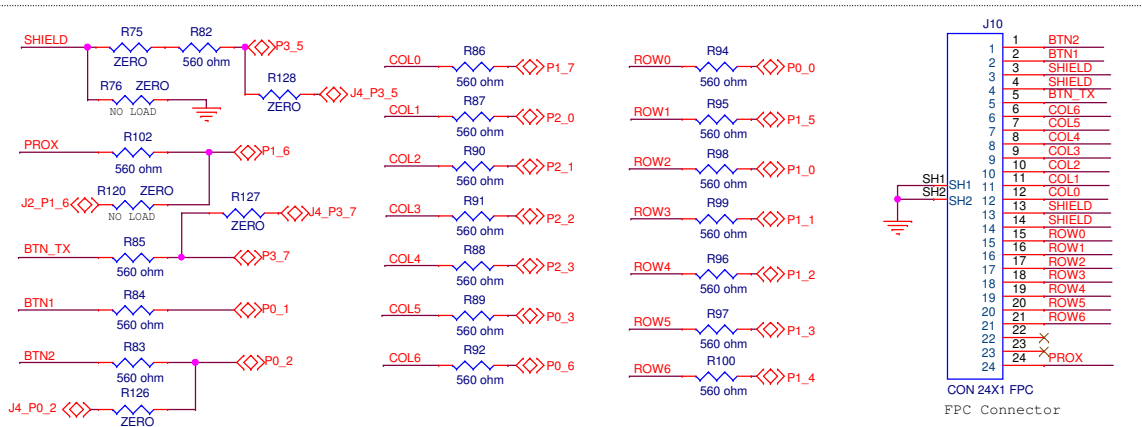
CYPRESS SEMICONDUCTOR © 2016		
Title		
CY8CKIT-041-40XX PSoC 4 S-Series Pioneer Kit		
Size	Document Number	Rev
A	630-60302-01	07
Date:	Thursday, February 25, 2016	Sheet 4 of 6





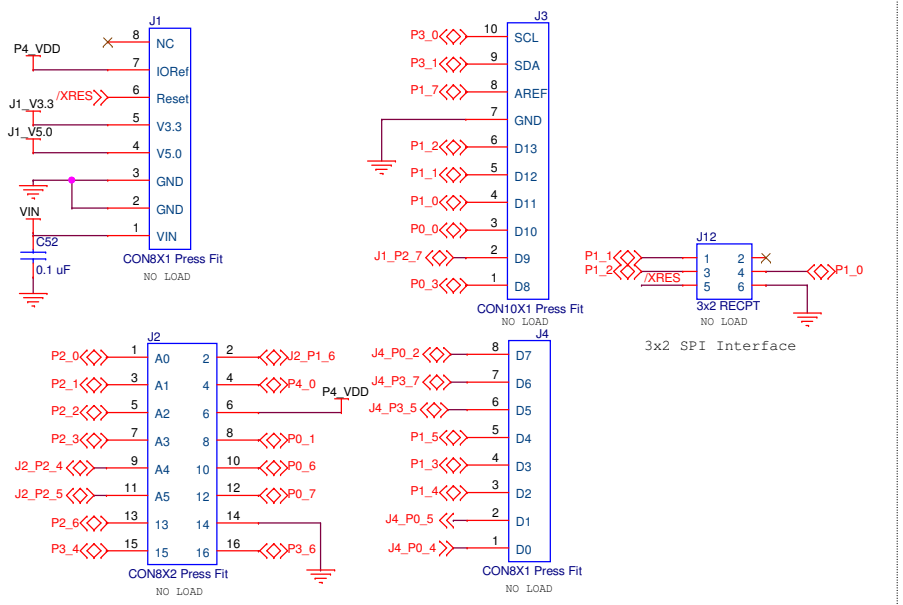
The F-RAM FM24V10 on the CY8CKIT-041 Pioneer Kit is compatible with all I2C-based F-RAM devices from Cypress (FM24Vxx, FM24CLxx, and CY15BxxxxJ parts). The F-RAM parts with more than 64 KB size support only four addresses (four devices of the same type on the same I2C bus); resistors connected to A1 (R68/R71) and A2 (R67/ R70) pins can be used to select any of the four addresses. The F-RAM parts with less than 64 KB and FM24CLxx parts support eight addresses; resistors connected to A0 (R69/R72), A1 (R68/R71) and A2 (R67/ R70) pins can be used to select one of the eight addresses.

Memory Interface

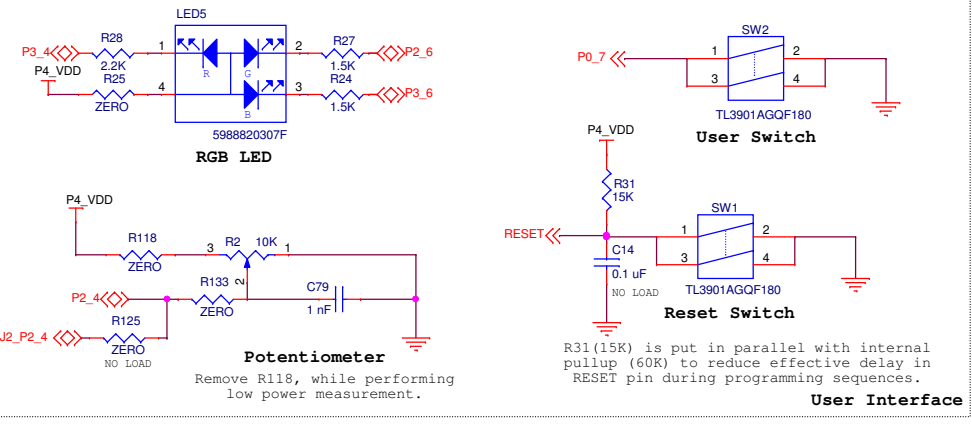


R75 is loaded by default to connect Shield pattern to PSoC 4000S GPIO (P3_5). Remove R75 and load R76 to connect Shield to GND.

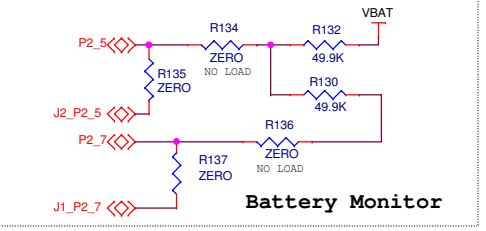
CapSense Interface



Arduino Compatible Connectors



User Interface



Battery Monitor

PCBA: 121-60299-01
 PCB: 600-60321-01
 FAB DRW: 610-60296-01
 ASSY DRW: 620-60304-01

CYPRESS SEMICONDUCTOR © 2015		
Title CY8CKIT-041-40XX PSoC 4 S-Series Pioneer Kit		
Size B	Document Number 630-60302-01	Rev 07
Date: Thursday, February 25, 2016	Sheet 6	of 6