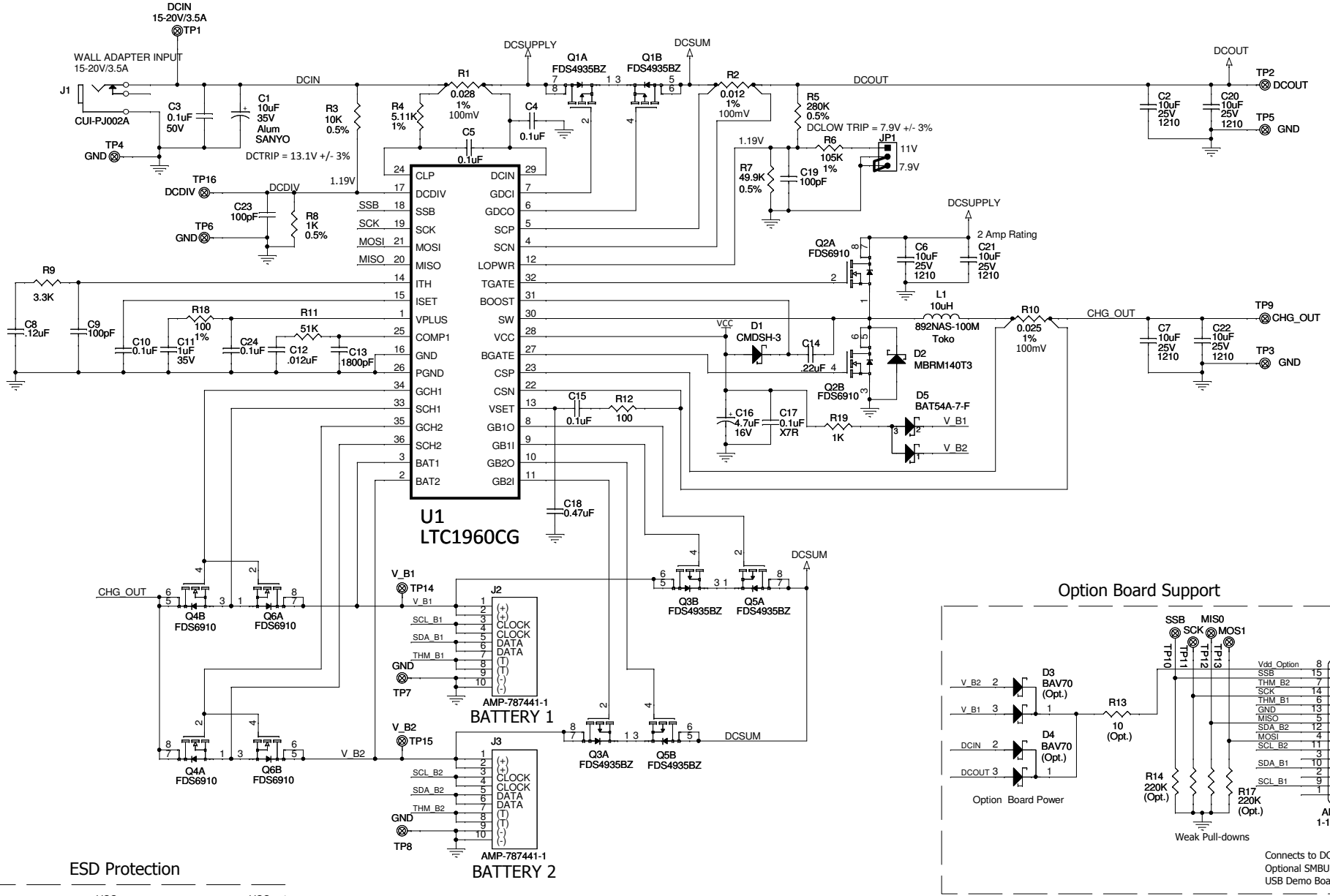
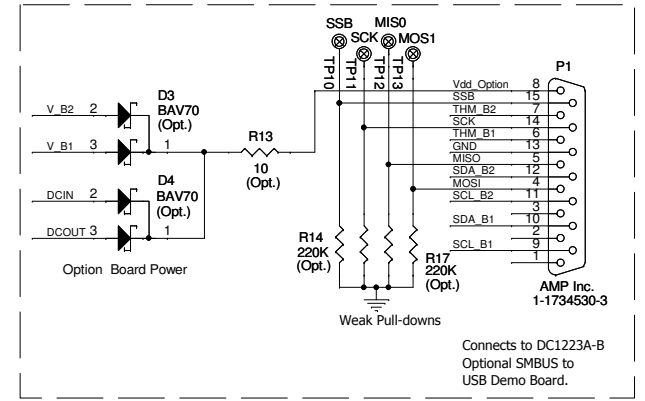


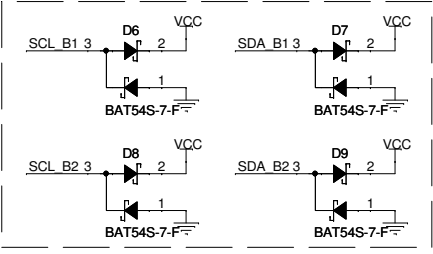
REVISION HISTORY				
ECO	REV	DESCRIPTION	APPROVED	DATE
	1	PRODUCTION	Joshua Yee	8/25/2011



Option Board Support



ESD Protection



<p>CUSTOMER NOTICE</p> <p>LINEAR TECHNOLOGY HAS MADE A BEST EFFORT TO DESIGN A CIRCUIT THAT MEETS CUSTOMER-SUPPLIED SPECIFICATIONS. HOWEVER, IT REMAINS THE CUSTOMER'S RESPONSIBILITY TO VERIFY PROPER AND RELIABLE OPERATION IN THE ACTUAL APPLICATION. COMPONENT SUBSTITUTION AND PRINTED CIRCUIT BOARD LAYOUT MAY SIGNIFICANTLY AFFECT CIRCUIT PERFORMANCE OR RELIABILITY. CONTACT LINEAR TECHNOLOGY APPLICATIONS ENGINEERING FOR ASSISTANCE.</p> <p>C:\PADS PROJECTS\1904A(DC286C-A)\SCH\1904A_01_REV1.DSN</p> <p>THIS CIRCUIT IS PROPRIETARY TO LINEAR TECHNOLOGY AND SUPPLIED FOR USE WITH LINEAR TECHNOLOGY PARTS.</p>		<p>APPROVALS</p> <p>PCB DES. R/B</p> <p>APP ENG. JOSH Y.</p>	<p>1630 McCarthy Blvd. Milpitas, CA 95035 www.linear.com Phone: (408)432-1900 Fax: (408)434-0507 LTC CONFIDENTIAL - FOR CUSTOMER USE ONLY</p>
<p>TITLE: SCHEMATIC</p> <p>UNIVERSAL DUAL BATTERY CHARGER/SELECTOR BOARD</p>			<p>REV. 1</p>
<p>SIZE N/A</p>		<p>IC NO. LTC1960CG</p> <p>DEMO CIRCUIT 1904A</p>	<p>DATE: Friday, November 04, 2011</p>
<p>SCALE = NONE</p>		<p>SHEET 1 OF 1</p>	