

LISA2-M-CLIP

~20° medium beam optimized for CREE XP-E.
6.8 mm high variant with clip installation.

TECHNICAL SPECIFICATIONS:

Dimensions	Ø 9.9 mm
Height	6.8 mm
Fastening	glue, clips
ROHS compliant	yes ⓘ

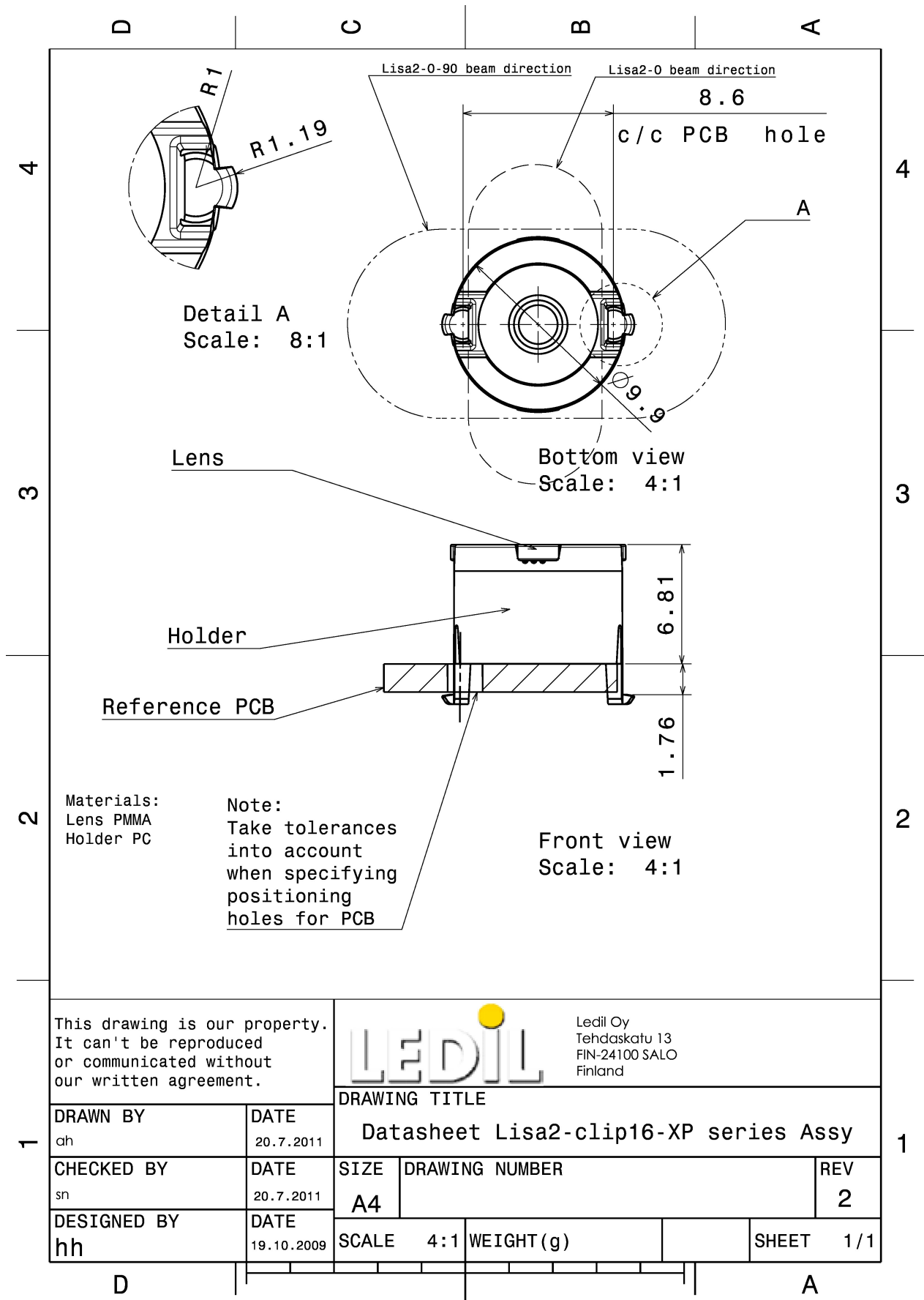


MATERIAL SPECIFICATIONS:

Component	Type	Material	Colour	Finish
LISA2-M	Single lens	PMMA	clear	
LISA2-HLD-CLIP16-XP	Holder	PC	black	

ORDERING INFORMATION:

Component	Type	Qty in box	MOQ	MPQ	Box weight (kg)
FP11075_LISA2-M-CLIP	Single lens	2000	300	100	1.4
» Box size:					



This drawing is our property. It can't be reproduced or communicated without our written agreement.



DRAWN BY ch		DATE 20.7.2011	DRAWING TITLE Datasheet Lisa2-clip16-XP series Assy		
CHECKED BY sn	DATE 20.7.2011	SIZE A4	DRAWING NUMBER		REV 2
DESIGNED BY hh	DATE 19.10.2009	SCALE 4:1	WEIGHT (g)	SHEET 1/1	

See also our general installation guide: www.ledil.com/installation_guide

PHOTOMETRIC DATA (MEASURED):



LED XP-E
 FWHM / FWTM 24.0°
 Efficiency 92 %
 LEDs/each optic 1
 Light colour White
 Required components:



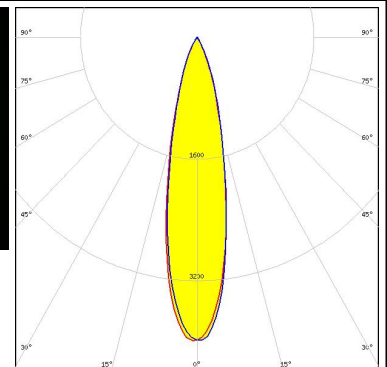
LED XP-G
 FWHM / FWTM 34.0°
 Efficiency 92 %
 LEDs/each optic 1
 Light colour White
 Required components:



LED LUXEON Z
 FWHM / FWTM 19.0° / 41.0°
 Efficiency 86 %
 Peak intensity 5.3 cd/lm
 LEDs/each optic 1
 Light colour White
 Required components:



LED LUXEON Z ES
 FWHM / FWTM 23.0° / 48.0°
 Efficiency 87 %
 Peak intensity 4 cd/lm
 LEDs/each optic 1
 Light colour White
 Required components:



PHOTOMETRIC DATA (MEASURED):

OSRAM Opto Semiconductors

LED SFH 4170S
FWHM / FWTM 13.0° / 37.0°
Efficiency %
LEDs/each optic 1
Light colour IR
Required components:

OSRAM Opto Semiconductors

LED SFH 4180S
FWHM / FWTM 13.0° / 36.0°
Efficiency %
LEDs/each optic 1
Light colour IR
Required components:

SHARP

LED Double Dome (GM2BB)
FWHM / FWTM 28.0°
Efficiency %
LEDs/each optic 1
Light colour White
Required components:

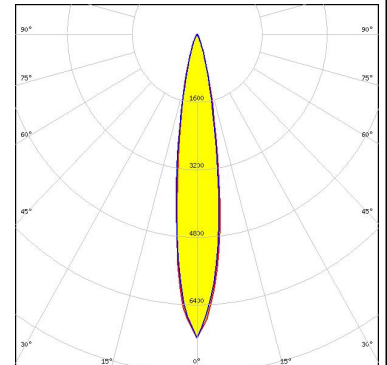
PHOTOMETRIC DATA (SIMULATED):



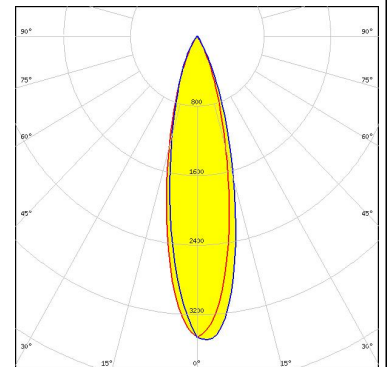
LED XQ-E HD
FWHM / FWTM 27.5° / 63.0°
Efficiency 91 %
Peak intensity 3.1 cd/lm
LEDs/each optic 1
Light colour White
Required components:



LED XQ-E HI
FWHM / FWTM 17.0° / 35.0°
Efficiency 89 %
Peak intensity 7.1 cd/lm
LEDs/each optic 1
Light colour White
Required components:



LED SFH 4770S
FWHM / FWTM 25.0° / 52.0°
Efficiency 92 %
Peak intensity 3.5 cd/lm
LEDs/each optic 1
Light colour White
Required components:



GENERAL INFORMATION:

NOTE: The typical beam angle will be changed by different color, chip size and chip position tolerance. The typical total beam angle is the full angle measured where the luminous intensity is half of the peak value.

MATERIALS:

As part of our continuous research and improvement processes, and to ensure the best possible quality and availability of our products, LEDiL reserves the right to change material grades without notice.

PRODUCT DATA USER AGREEMENT AND DISCLAIMER:

The measured data in the provided downloadable LEDiL Product Datasheets and Mechanical 2D-Drawings is rounded and provided as reference for planning. LEDiL Oy's optical specifications have been verified by conducting performance testing of the products in accordance with the company's quality system. The reported data are averaged results of multiple measurements with typical variation. LEDiL Oy reserves the right to without prior notification make changes and improvements to its products.

LEDiL Oy assumes neither warranty, nor guarantee nor any other liability of any kind for the contents and correctness of the provided data. The provided data has been generated with highest diligence but the provided data may in reality not represent the complete possible variation range of all intrinsic parameters. Therefore, in certain cases a deviation from the provided data could occur.

LEDiL Oy reserves the right to undertake technical changes of its products without further notification which could lead to changes in the provided data. LEDiL Oy assumes no liability of any kind for the possible deviation from any provided data or any other damage resulting from the usage of the provided data.

The user agrees to this disclaimer and user agreement with the download or usage of the provided files.

LEDiL Oy

Joensuunkatu 13
FI-24240 SALO
Finland

LEDiL Inc.

228 West Page Street
Suite D
Sycamore IL 60178
USA

Ledil Optics Technology (Shenzhen) Co., Ltd.

405 , Block B
Casic Motor Building
Shenzhen 518057
P.R.CHINA

Local sales and technical support

[www.ledil.com/
where_to_buy](http://www.ledil.com/where_to_buy)

Shipping locations

Salo, Finland
Hong Kong, China

Distribution Partners

[www.ledil.com/
where_to_buy](http://www.ledil.com/where_to_buy)