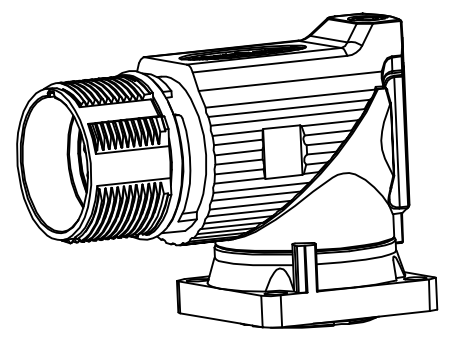
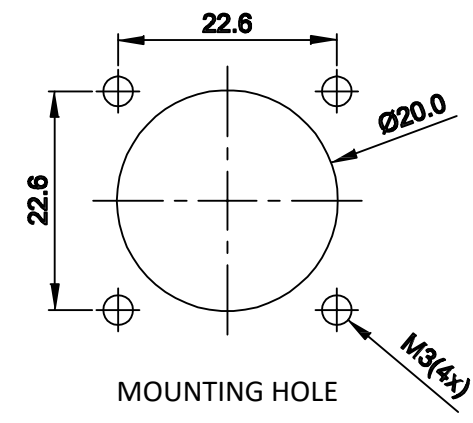
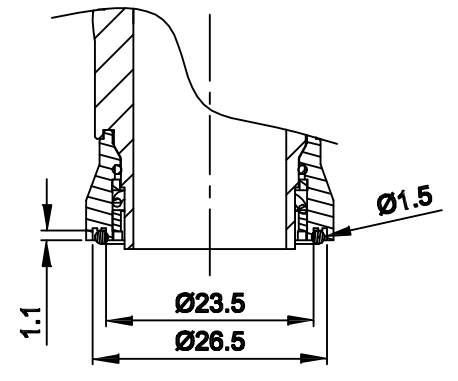
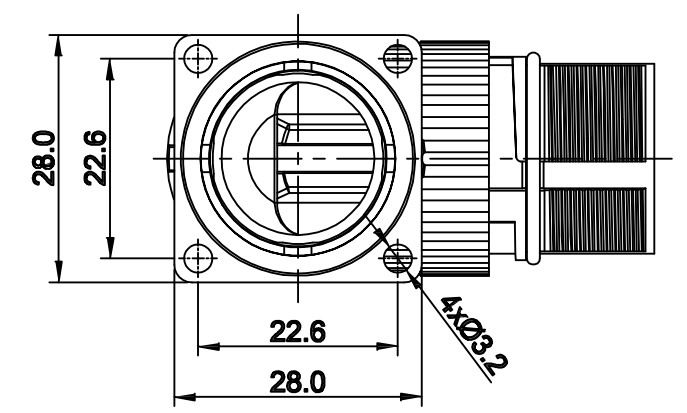
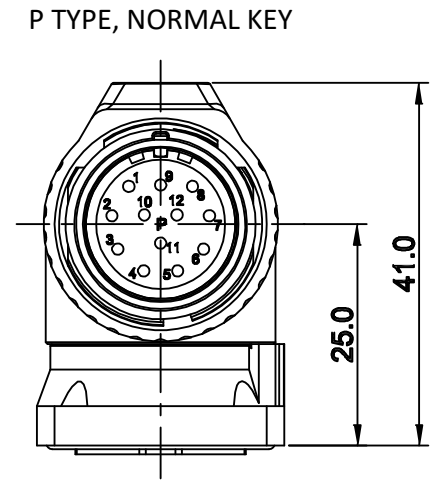
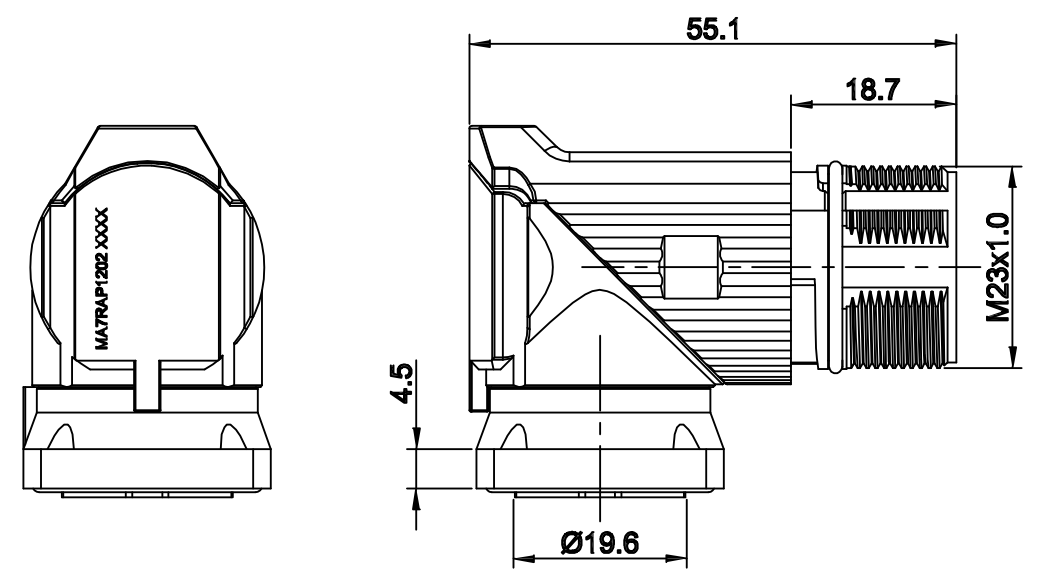


REVISIONS					
REV	ECO	DESCRIPTION	DATE	BY	APPR
A1	-	FIRST RELEASE	Nov.20,2015	Drack	Tommy
A2	-	Updated Drawing	Jun.20,2017	White	Tommy



NOTES: UNLESS OTHERWISE SPECIFIED

- MATERIAL:
  - INSULATION INSERT: PA66,UL94 V0
  - SEAL: VITON
  - HOUSING BODY: ZINC DIE CAST, NICKEL PLATED
- SPECIFICATIONS
  - 2.1 CURRENT RATING: 10 AMPS
  - 2.2 VOLTAGE RATING: 160 V AC/DC
  - 2.3 OPERATING TEMPERATURE: -20C TO +130C
  - 2.4 DIELECTRIC WITHSTANDING VOLTAGE: LESS THAN 2 MILLIAMPS CURRENT LEAKAGE @ 2500 VOLTS AC.
  - 2.5 DEGREE OF PROTECTION: IP67 (MATED CONDITION)
  - 2.6 DEGREE OF POLLUTION: 3 PER UL840
  - 2.7 OVERVOLTAGE CATEGORY: III PER UL840
  - 2.8 MATING CYCLE DURABILITY: >500 CYCLES
  - 2.9 RoHS COMPLIANT
- ALL DIMENSIONS ARE FOR REFERENCE USE ONLY.

QUANTITY	SEE PART NUMBER CHART	DESCRIPTION	ITEM														
<b>MATERIALS LIST</b>																	
UNLESS OTHERWISE SPECIFIED 1) All dimensions are in metric(mm). 2) Tolerances are as follows: 1 PL DEC ±0.30 2 PL DEC ±0.15 3 PL DEC ±0.08 3) Note reference = X		<table border="1"> <tr> <th>SIGNATURES</th> <th>DATE</th> </tr> <tr> <td>DRAWN: White</td> <td>Jun.20,2017</td> </tr> <tr> <td>CHECKED: Tod</td> <td>Jun.20,2017</td> </tr> <tr> <td>ENGINEER:</td> <td></td> </tr> <tr> <td>APPROVAL: Tommy</td> <td>Jun.20,2017</td> </tr> <tr> <td>CUSTOMER:</td> <td></td> </tr> </table>	SIGNATURES	DATE	DRAWN: White	Jun.20,2017	CHECKED: Tod	Jun.20,2017	ENGINEER:		APPROVAL: Tommy	Jun.20,2017	CUSTOMER:		<p style="text-align: center;"><b>Amphenol</b></p> <p style="text-align: center;">Sine Systems - www.amphenol-sine.com 44724 Morley Drive Clinton Township, MI 48036</p>		
SIGNATURES	DATE																
DRAWN: White	Jun.20,2017																
CHECKED: Tod	Jun.20,2017																
ENGINEER:																	
APPROVAL: Tommy	Jun.20,2017																
CUSTOMER:																	
MATERIAL SPECIFICATIONS:		M23A,REC.,RA,12P, P TYPE															
PROCESS SPECIFICATIONS:		<table border="1"> <tr> <th>SIZE</th> <th>TYPE</th> <th>DWG NO.</th> <th>REVISION</th> </tr> <tr> <td>B</td> <td>C-</td> <td>MA7RAP1202</td> <td>A2</td> </tr> </table>	SIZE	TYPE	DWG NO.	REVISION	B	C-	MA7RAP1202	A2	<table border="1"> <tr> <th>SCALE</th> <th>SHEET</th> <th>OF</th> </tr> <tr> <td>NONE</td> <td>1</td> <td>1</td> </tr> </table>	SCALE	SHEET	OF	NONE	1	1
SIZE	TYPE	DWG NO.	REVISION														
B	C-	MA7RAP1202	A2														
SCALE	SHEET	OF															
NONE	1	1															
NEXT ASSY:																	

TITLE: M23A,REC.,RA,12P TYPE DWG NO: MA7RAP1202 REV: A2 SH: 1 OF: 1