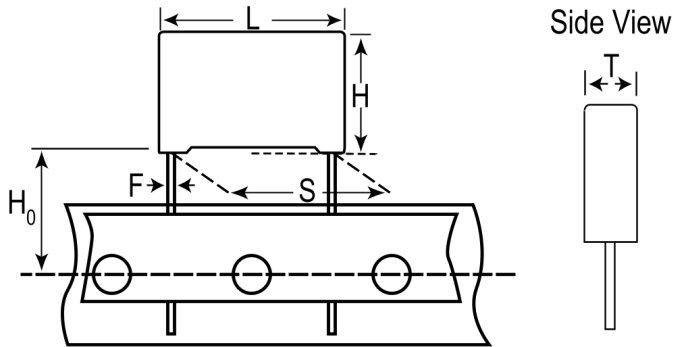


R74NF1560DQ00J

Aliases (74NF1560DQ00J)

Not for New Design

R74, Film, Metallized Polypropylene, Automotive Grade, 5600 pF, 5%, 1300 VDC, 85°C, Lead Spacing = 10mm



Click [here](#) for the 3D model.

Dimensions

L	13mm +0.2/-0.5mm
H	11mm +0.1/-0.5mm
T	5mm +0.2/-0.5mm
S	10mm +0.6/-0.1mm
H0	18.5mm +/-0.5mm
F	0.6mm +/-0.05mm

Packaging Specifications

Packaging	Ammo, 360x340x59mm, Box
Packaging Quantity	800

General Information

Series	R74
Dielectric	Metallized Polypropylene
Style	Radial
Features	Automotive Grade, Pulse
RoHS	Yes
Lead	Wire Leads
Qualifications	AEC-Q200
AEC-Q200	Yes
Component Weight	1.183 g
Miscellaneous	Above 85C DC And AC Voltage Derating Is 1.25%/C.
Notes	Series Replaced by R75.

Specifications

Capacitance	5600 pF
Capacitance Tolerance	5%
Voltage AC	400 VAC
Voltage DC	1300 VDC
Temperature Range	-55/+105°C
Rated Temperature	85°C
Dissipation Factor	0.01% 1kHz, 0.02% 10kHz, 0.08% 100kHz
Insulation Resistance	100 GOhms
Max dV/dt	2200 V/us
Resistance	113.7 mOhms (100kHz)
Ripple Current	1.4 Amps (100kHz 85C), 12 Amps (Peak)
Inductance	9 nH