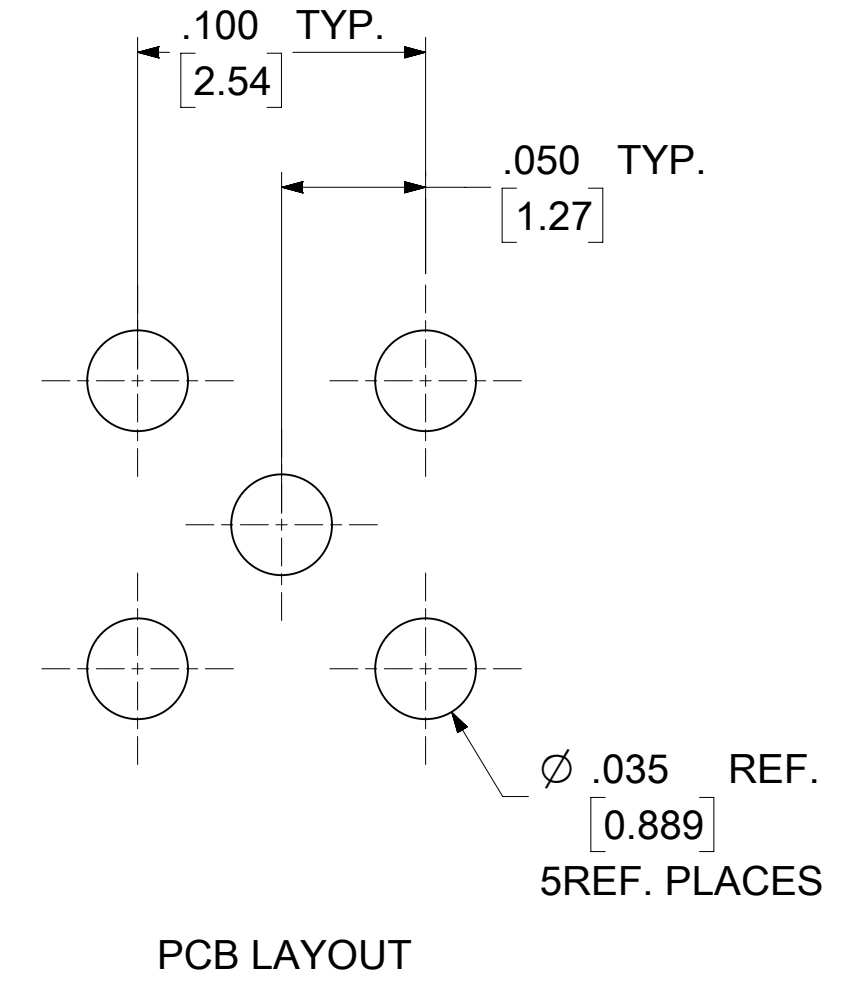
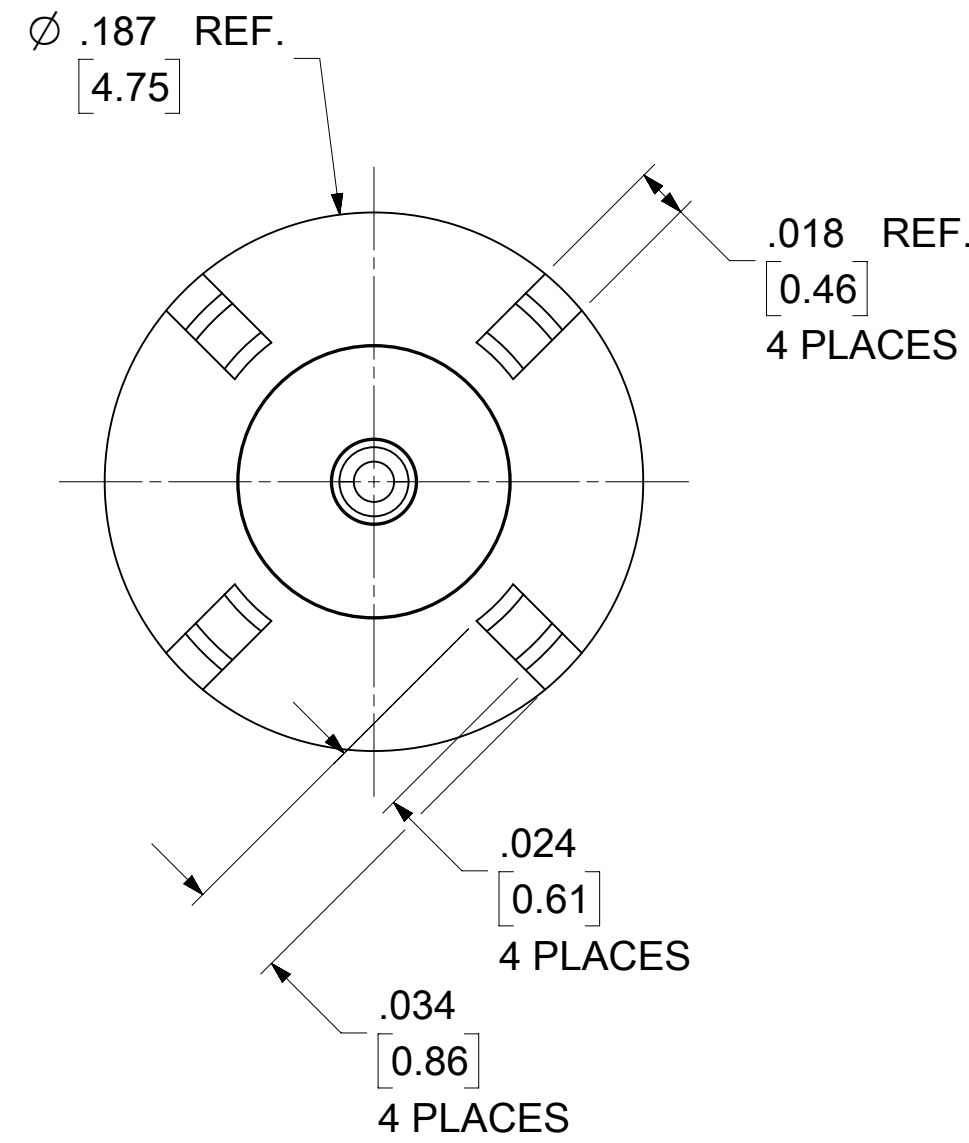
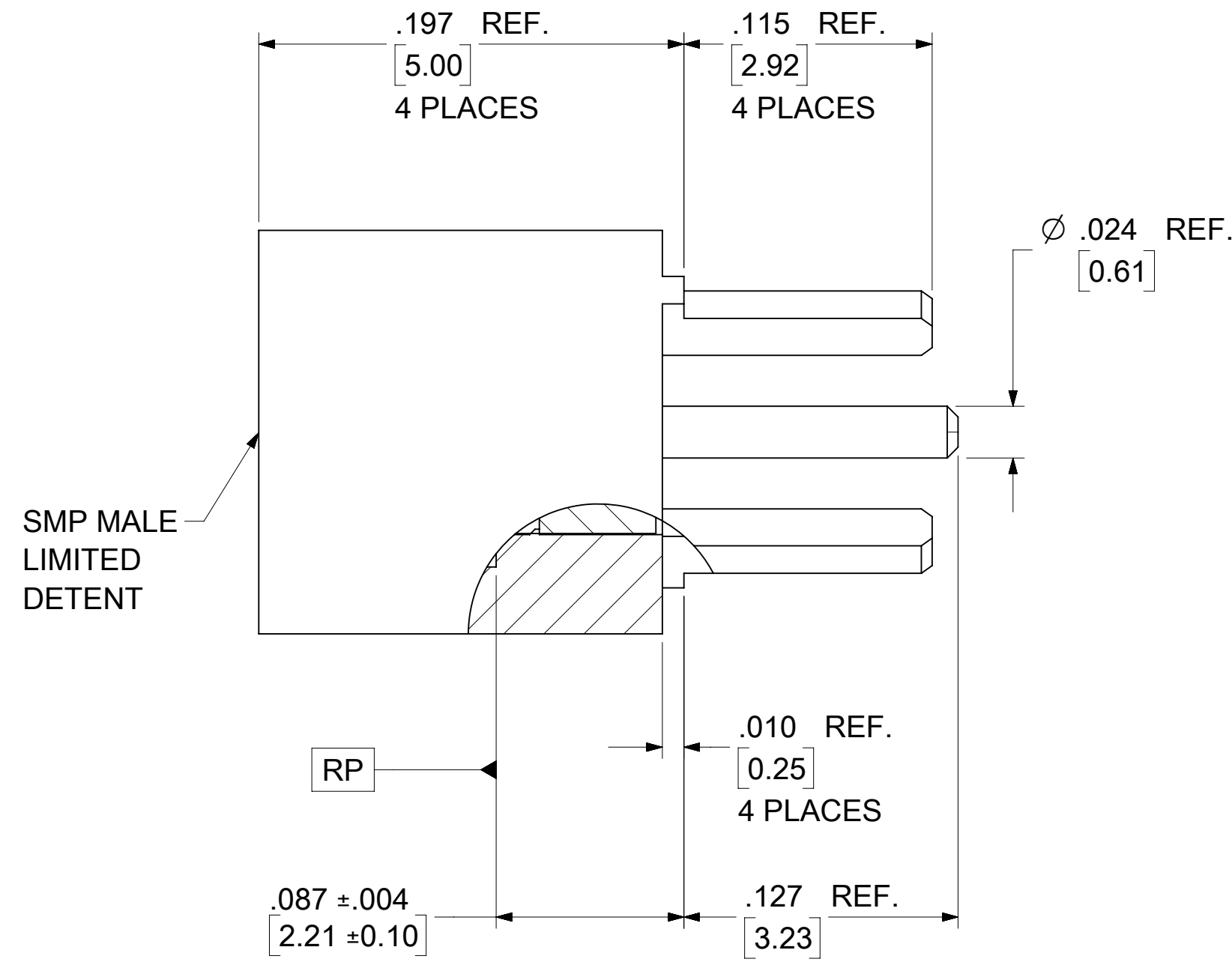
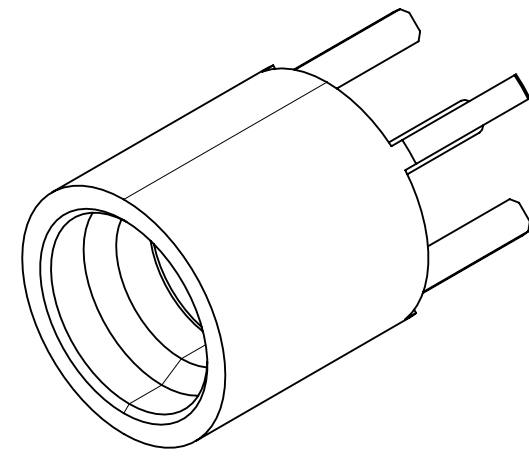


MATERIALS AND FINISHES:

BODY, CONTACT: BERYLLIUM COPPER  
 PLATED: GOLD (50µ-in MIN)  
 OVER NICKEL (100µ-in MIN)

INSULATOR: PTFE



LABEL FORMAT FOR  
 73415-6991

PART NUMBER: 73415-6990  
 ORDER NUMBER: 73415-6991  
 MOLEX  
 DATE: YYWW

73415-6991	73415-6990 ONE PER BAG	895420470
73415-6990	73415-6990 TRAY	895420040
PART NO.	DESCRIPTION	PACKING SPEC

PS-89675-3320	PRODUCT SPECIFICATION
MIL-STD-348B, FIG. 326.3	INTERFACE SMP P LD
SPECIFICATION	DESCRIPTION

DOCUMENT STATUS	P1	RELEASE DATE	2022/08/30	02:55:05
-----------------	----	--------------	------------	----------

FUNCTIONAL SYMBOLS $\nabla_A = 0$ $\nabla_C = 0$ $\nabla_P = 0$ DIVISIONAL SYMBOLS	THIS DRAWING CONTAINS INFORMATION THAT IS PROPRIETARY TO MOLEX ELECTRONIC TECHNOLOGIES, LLC AND SHOULD NOT BE USED WITHOUT WRITTEN PERMISSION		CURRENT REV DESC: ADD 73415-6991 PER EWR# 15321-C	
	DIMENSION UNITS	SCALE	EC NO: 718723	
	INCH/MM	NTS	DRWN: ELIN	2022/08/23
	GENERAL TOLERANCES (UNLESS SPECIFIED)		CHK'D: YCHENG	2022/08/30
ANGULAR TOL ± 2.0°		APPR: YCHENG	2022/08/30	
4 PLACES ±		INITIAL REVISION:		
3 PLACES ±		DRWN: AROBERTSON	2008/03/17	
2 PLACES ± 0.25		APPR: JWIENER	2008/03/17	
1 PLACE ±		DOCUMENT NUMBER		
0 PLACES ±		SD-73415-699		
DRAFT WHERE APPLICABLE MUST REMAIN WITHIN DIMENSIONS		THIRD ANGLE PROJECTION	DRAWING	SERIES
			C-SIZE	73415
		MATERIAL NUMBER		CUSTOMER
		SEE TABLE		GENERAL MARKET
		DOC TYPE		DOC PART
		PSD		001
		REVISION		C2
		SHEET NUMBER		1 OF 1

**molex**

SMP MALE LIMITED DETENT  
 VERTICAL PCB THRU SMP-P/PCB, EWR-3568

PRODUCT CUSTOMER DRAWING

A