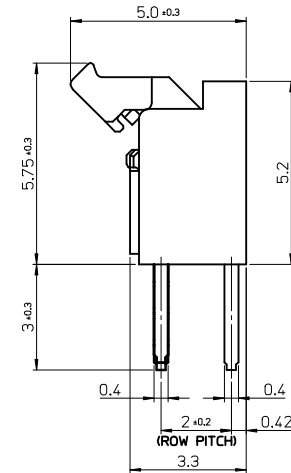
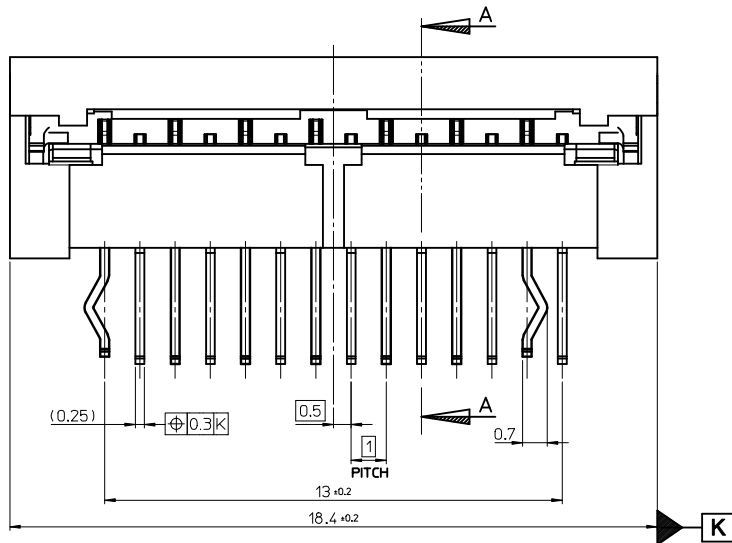
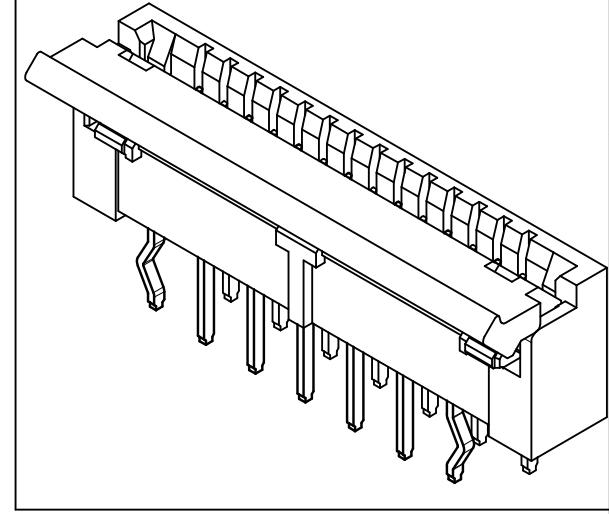
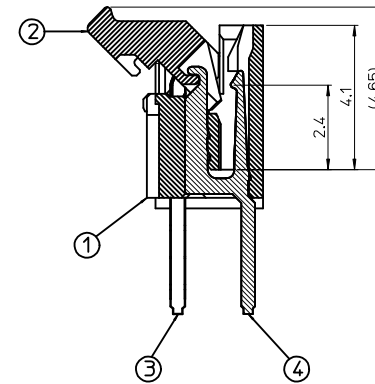


ACTUATOR CLOSE



ACTUATOR OPEN
DELIVERY POSITION



SECTION A-A

<PRODUCT NO.>

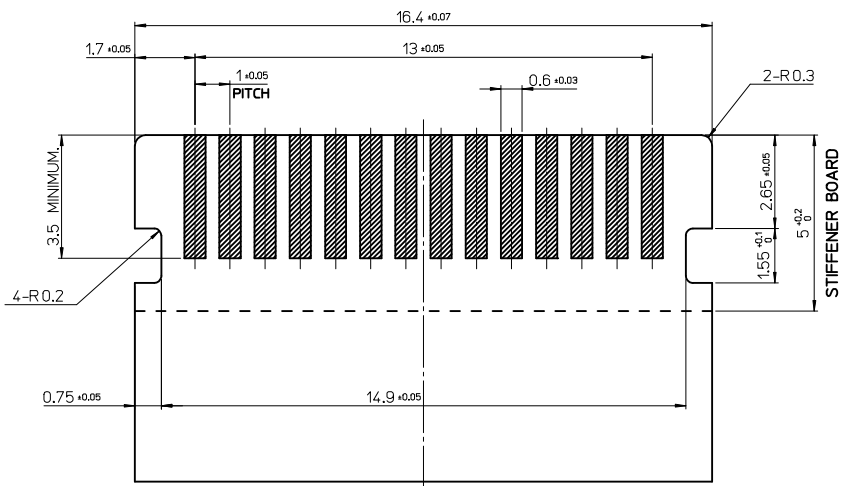
1041781418	14
ORDER NO.	CKT

NOTE

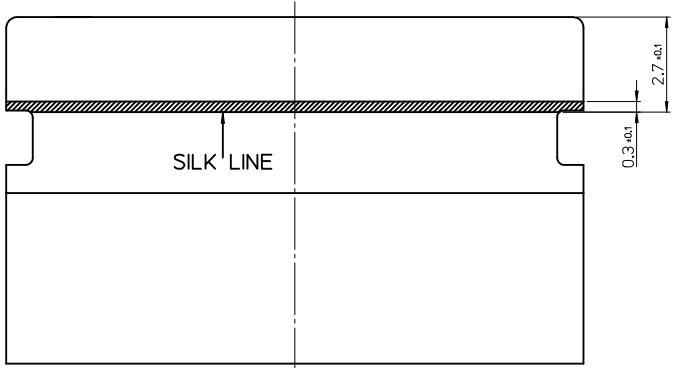
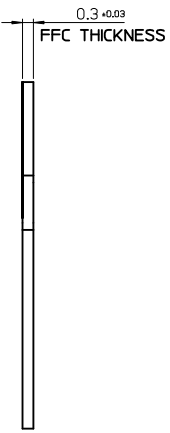
1. FINISH : 1.0 MIN TIN PLATING OVER NI.
2. DELIVERY POSITION : ACTUATOR OPEN
3. PACKING : TRAY

NO	PART NAME	Q'TY	MATERIAL	REMARKS
1	HOUSING	1	LCP, UL94V-0	NATURAL
2	ACTUATOR	1	PA46, GF 50%, UL94V-0	BLACK
3	EVEN TERMINAL	7	PHOSPHOR BRONZE, 0.25T	TIN OVER Ni
4	ODD TERMINAL	7	PHOSPHOR BRONZE, 0.25T	TIN OVER Ni

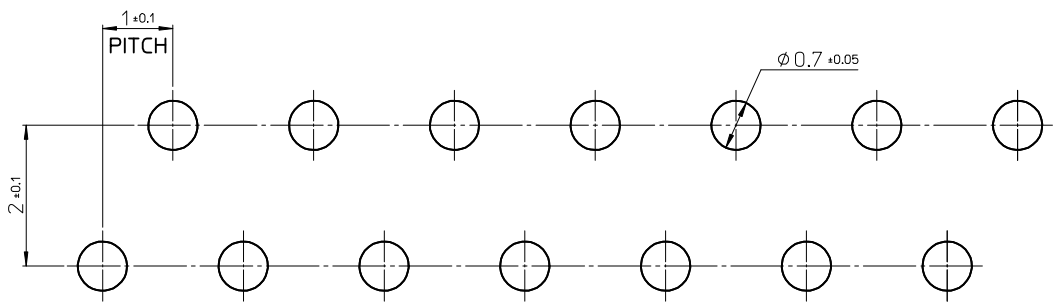
REVISED EC NO: KOR2014-0073 DRW: NIKIHWANG 2013/11/26 CHKD: APPR: YSKI M02 2013/11/29 REV DESCRIPTION	QUALITY SYMBOLS	GENERAL TOLERANCES (UNLESS SPECIFIED)	DIMENSION STYLE	SCALE	DESIGN UNITS	THIRD ANGLE PROJECTION																								
	$\nabla=0$ $\nabla=0.2$	<table border="1"> <tr> <th></th> <th>mm</th> <th>INCH</th> </tr> <tr> <td>4 PLACES</td> <td>± ---</td> <td>± ---</td> </tr> <tr> <td>3 PLACES</td> <td>± ---</td> <td>± ---</td> </tr> <tr> <td>2 PLACES</td> <td>± 0.25</td> <td>± ---</td> </tr> <tr> <td>1 PLACE</td> <td>± 0.3</td> <td>± ---</td> </tr> </table>		mm	INCH	4 PLACES	± ---	± ---	3 PLACES	± ---	± ---	2 PLACES	± 0.25	± ---	1 PLACE	± 0.3	± ---	<table border="1"> <tr> <th>MM ONLY</th> <th>DATE</th> <th>TITLE</th> </tr> <tr> <td>DRAWN BY</td> <td>2013/10/15</td> <td>1.0 PITCH FFC CONNECTOR VERTICAL & DIP TYPE ASS'Y 14P</td> </tr> <tr> <td>CHECKED BY</td> <td>DATE</td> <td></td> </tr> </table>	MM ONLY	DATE	TITLE	DRAWN BY	2013/10/15	1.0 PITCH FFC CONNECTOR VERTICAL & DIP TYPE ASS'Y 14P	CHECKED BY	DATE		1:1	METRIC	
		mm	INCH																											
	4 PLACES	± ---	± ---																											
3 PLACES	± ---	± ---																												
2 PLACES	± 0.25	± ---																												
1 PLACE	± 0.3	± ---																												
MM ONLY	DATE	TITLE																												
DRAWN BY	2013/10/15	1.0 PITCH FFC CONNECTOR VERTICAL & DIP TYPE ASS'Y 14P																												
CHECKED BY	DATE																													
DRAFT WHERE APPLICABLE MUST REMAIN WITHIN DIMENSIONS	APPROVED BY YSKI M02 DATE 2013/11/12	MATERIAL NO. SEE TABLE	MOLEX INCORPORATED DOCUMENT NO. SD-104178-001	SHEET NO. 1 OF 2																										



CONTACT SIDE



BACK SIDE



RECOMMENDED PCB PATTERN LAYOUT

PCB THICKNESS : 1.6T

1. RECOMMENDED FFC SPECIFICATION
WHEN FFC FULLY INSERT →
SILK LINE : INVISIBLE

<PRODUCT NO.>

1041781418	14
ORDER NO.	CKT

REVISED EC NO: KOR2014-0073 DRAWN: KYHWANG 2013/11/26 CHKD: APPR: YSK1M02 2013/11/29 REV:	QUALITY SYMBOLS	GENERAL TOLERANCES (UNLESS SPECIFIED)	DIMENSION STYLE	SCALE	DESIGN UNITS	THIRD ANGLE PROJECTION																						
	▽=0 ▽=0	<table border="1"> <tr> <th></th> <th>mm</th> <th>INCH</th> </tr> <tr> <td>4 PLACES</td> <td>± 0.15</td> <td>± 0.006</td> </tr> <tr> <td>3 PLACES</td> <td>± 0.20</td> <td>± 0.008</td> </tr> <tr> <td>2 PLACES</td> <td>± 0.25</td> <td>± 0.010</td> </tr> <tr> <td>1 PLACE</td> <td>± 0.3</td> <td>± 0.012</td> </tr> <tr> <td colspan="3">ANGULAR ± 1°</td> </tr> </table>		mm	INCH	4 PLACES	± 0.15	± 0.006	3 PLACES	± 0.20	± 0.008	2 PLACES	± 0.25	± 0.010	1 PLACE	± 0.3	± 0.012	ANGULAR ± 1°			MM ONLY	1:1	METRIC	<input checked="" type="checkbox"/> THIRD ANGLE <input type="checkbox"/> PROJECTION				
		mm	INCH																									
	4 PLACES	± 0.15	± 0.006																									
3 PLACES	± 0.20	± 0.008																										
2 PLACES	± 0.25	± 0.010																										
1 PLACE	± 0.3	± 0.012																										
ANGULAR ± 1°																												
	DRAFT WHERE APPLICABLE MUST REMAIN WITHIN DIMENSIONS	<table border="1"> <tr> <td>DRAWN BY</td> <td>DATE</td> <td>TITLE</td> </tr> <tr> <td>SMK1M01</td> <td>2013/10/15</td> <td>1.0 PITCH FFC CONNECTOR VERTICAL & DIP TYPE ASS'Y 14P</td> </tr> <tr> <td>CHECKED BY</td> <td>DATE</td> <td></td> </tr> <tr> <td></td> <td></td> <td></td> </tr> <tr> <td>APPROVED BY</td> <td>DATE</td> <td></td> </tr> <tr> <td>YSK1M02</td> <td>2013/11/12</td> <td></td> </tr> <tr> <td>MATERIAL NO.</td> <td></td> <td></td> </tr> <tr> <td>SEE TABLE</td> <td></td> <td></td> </tr> </table>	DRAWN BY	DATE	TITLE	SMK1M01	2013/10/15	1.0 PITCH FFC CONNECTOR VERTICAL & DIP TYPE ASS'Y 14P	CHECKED BY	DATE					APPROVED BY	DATE		YSK1M02	2013/11/12		MATERIAL NO.			SEE TABLE			MOLEX INCORPORATED DOCUMENT NO. SD-104178-001	SHEET NO. 2 OF 2
DRAWN BY	DATE	TITLE																										
SMK1M01	2013/10/15	1.0 PITCH FFC CONNECTOR VERTICAL & DIP TYPE ASS'Y 14P																										
CHECKED BY	DATE																											
APPROVED BY	DATE																											
YSK1M02	2013/11/12																											
MATERIAL NO.																												
SEE TABLE																												
		THIS DRAWING CONTAINS INFORMATION THAT IS PROPRIETARY TO MOLEX INCORPORATED AND SHOULD NOT BE USED WITHOUT WRITTEN PERMISSION																										