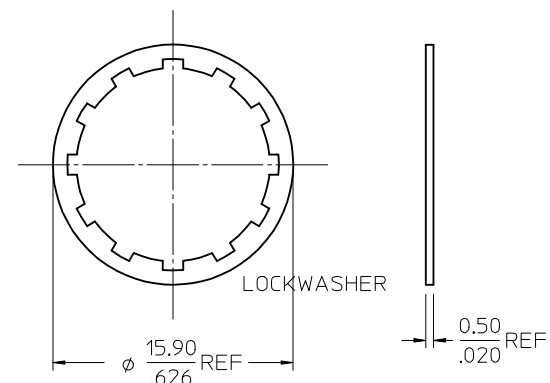
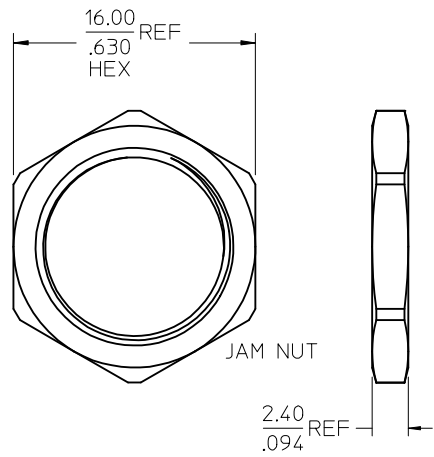
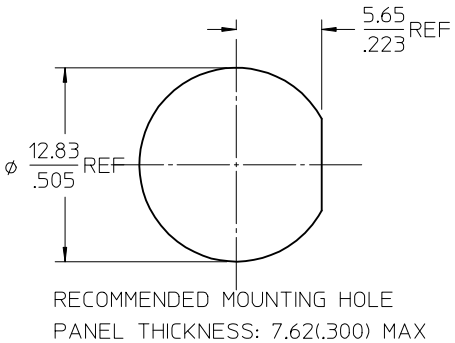
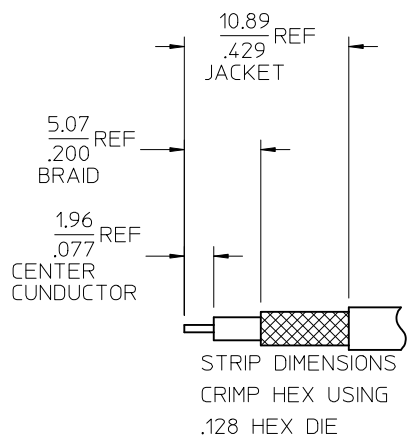
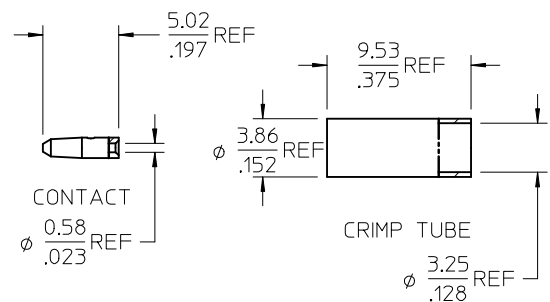
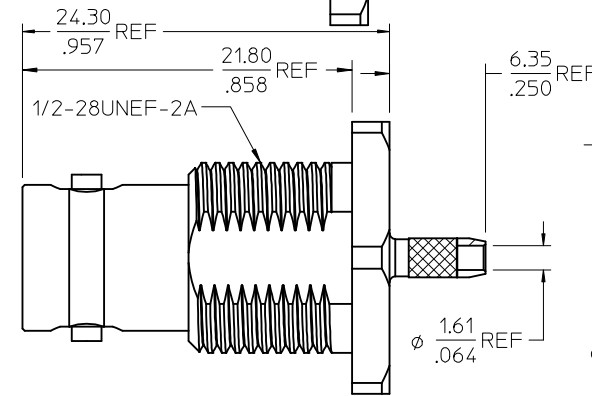
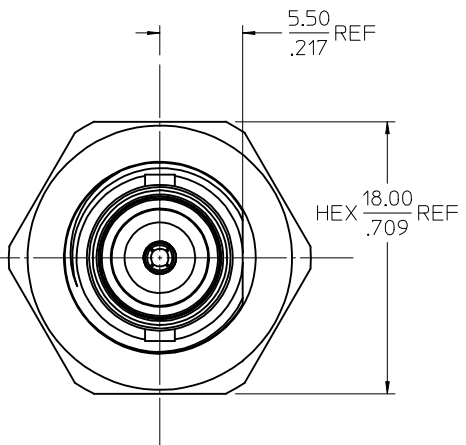
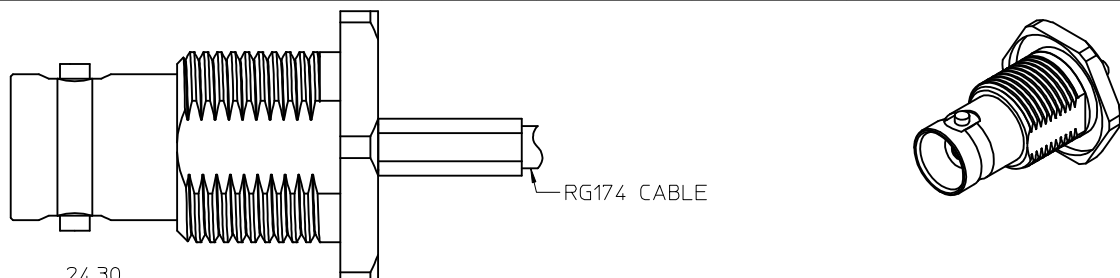


MATERIALS AND FINISHES

- BODY, JAM NUT BRASS  
PLATED NICKEL
- CENTER CONTACT BERYLLIUM COPPER  
PLATED GOLD
- CONTACT BRASS  
PLATED GOLD
- INSULATOR TEFLON
- LOCKWASHER PHOSPHOR BRONZE  
PLATED NICKEL
- O-RING SILICONE RUBBER



MIL-STD-348A, FIG. 310.2	INTERFACE
SPECIFICATION	DESCRIPTION

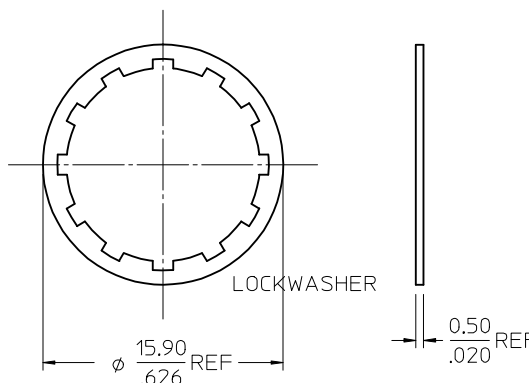
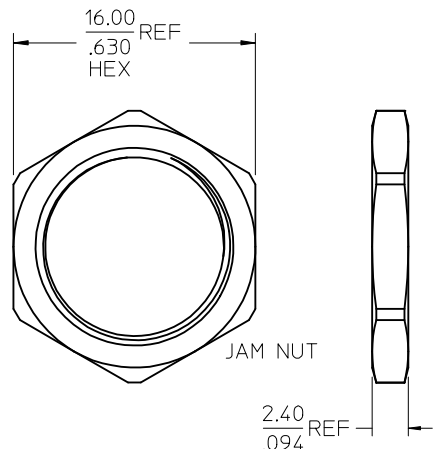
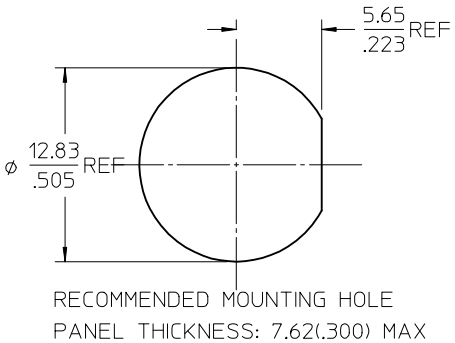
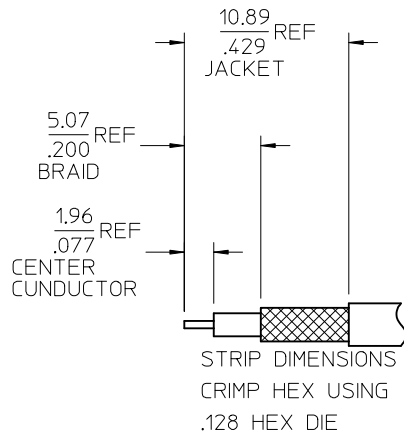
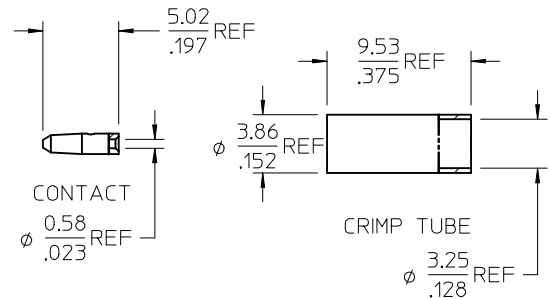
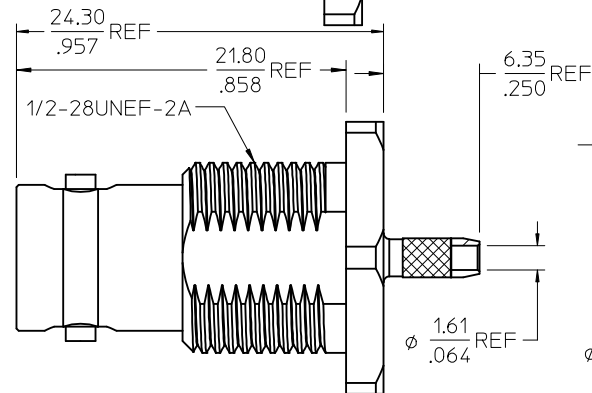
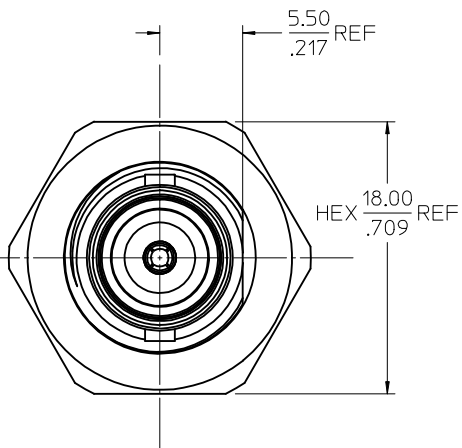
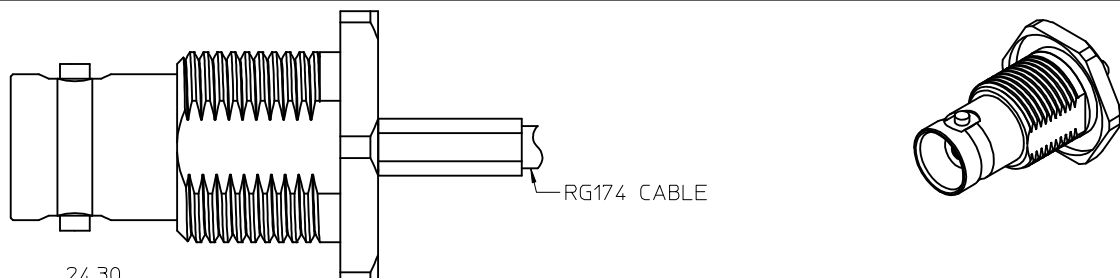
PART # 73171-2490

CHG: DIM 10.89 REF JACKET WAS 14.35 REF JACKET	EC NO: URF2007-0439	DRWN:FLAHERTY 2007/05/08	CHKD:SSFAH 2007/05/08	APPR:JWIENER 2007/05/08															
	DESCRIPTION	QUALITY SYMBOLS	GENERAL TOLERANCES (UNLESS SPECIFIED)																
A1	▽=0	▽=0	<table border="1"> <thead> <tr> <th></th> <th>mm</th> <th>INCH</th> </tr> </thead> <tbody> <tr> <td>4 PLACES</td> <td>± .005</td> <td>± .0002</td> </tr> <tr> <td>3 PLACES</td> <td>± .005</td> <td>± .0002</td> </tr> <tr> <td>2 PLACES</td> <td>± .005</td> <td>± .0002</td> </tr> <tr> <td>1 PLACE</td> <td>± .005</td> <td>± .0002</td> </tr> </tbody> </table>			mm	INCH	4 PLACES	± .005	± .0002	3 PLACES	± .005	± .0002	2 PLACES	± .005	± .0002	1 PLACE	± .005	± .0002
	mm	INCH																	
4 PLACES	± .005	± .0002																	
3 PLACES	± .005	± .0002																	
2 PLACES	± .005	± .0002																	
1 PLACE	± .005	± .0002																	
DRAFT WHERE APPLICABLE MUST REMAIN WITHIN DIMENSIONS		MATERIAL NO. 731712490		SIZE C															

DIMENSION STYLE MM/IN		SCALE	DESIGN UNITS METRIC	THIRD ANGLE PROJECTION
DRAWN BY JM	DATE 2005/01/19	TITLE BNC JACK, BULKHEAD FOR RG174, 50 OHMS EWR-2693, BNC-JC/BK		
CHECKED BY JM	DATE 2005/01/19	MOLEX INCORPORATED		
APPROVED BY JDW	DATE 2005/01/19	DOCUMENT NO. SD-73171-249	SHEET NO. 1 OF 1	
THIS DRAWING CONTAINS INFORMATION THAT IS PROPRIETARY TO MOLEX INCORPORATED AND SHOULD NOT BE USED WITHOUT WRITTEN PERMISSION				

MATERIALS AND FINISHES

- BODY, JAM NUT BRASS  
PLATED NICKEL
- CENTER CONTACT BERYLLIUM COPPER  
PLATED GOLD
- CONTACT BRASS  
PLATED GOLD
- INSULATOR TEFLON
- LOCKWASHER PHOSPHOR BRONZE  
PLATED NICKEL
- O-RING SILICONE RUBBER



MIL-STD-348A, FIG. 310.2	INTERFACE
SPECIFICATION	DESCRIPTION

PART # 73171-2490

CHG: DIM 10.89 REF JACKET WAS 14.35 REF JACKET	EC NO: URF2007-0439	QUALITY SYMBOLS	GENERAL TOLERANCES (UNLESS SPECIFIED)	DIMENSION STYLE MM/IN	SCALE	DESIGN UNITS METRIC	THIRD ANGLE PROJECTION
	DRWN:FLAHERTY 2007/05/08	CHKD:SSFAH 2007/05/08					
A1			4 PLACES ± .000 ± .000	mm INCH	DRAWN BY JM DATE 2005/01/19	TITLE	BNC JACK, BULKHEAD FOR RG174, 50 OHMS EWR-2693, BNC-JC/BK
			3 PLACES ± .000 ± .000		CHECKED BY JM DATE 2005/01/19	MATERIAL NO.	
			2 PLACES ± .000 ± .000		APPROVED BY JDW DATE 2005/01/19	731712490	SD-73171-249
			1 PLACE ± .000 ± .000				SHEET NO. 1 OF 1
			ANGULAR ± 2 °				
			DRAFT WHERE APPLICABLE MUST REMAIN WITHIN DIMENSIONS				

MATERIAL NO. 731712490		DOCUMENT NO. SD-73171-249	
THIS DRAWING CONTAINS INFORMATION THAT IS PROPRIETARY TO MOLEX INCORPORATED AND SHOULD NOT BE USED WITHOUT WRITTEN PERMISSION			