

6

5

4

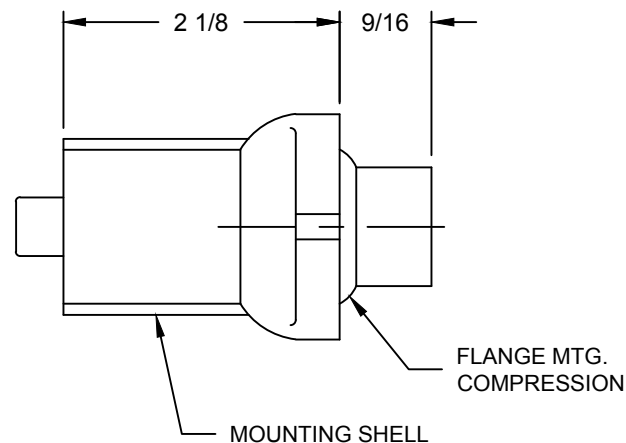
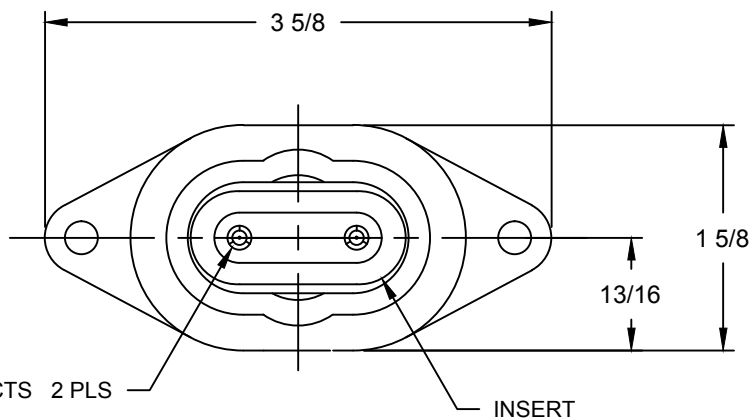
3

2

1

E

E

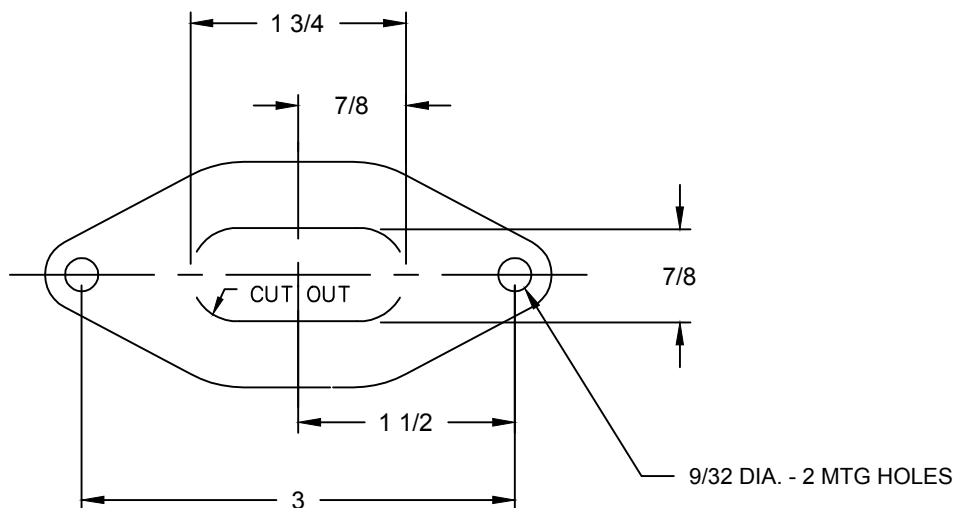


D

D

C

C



B

B

A

A

MATERIAL:
 MOUNTING SHELL: ALUMINUM ALLOY 319
 BODY: RUBBER, YELLOW
 CONTACTS: BRASS
 2 - #8-32 X .343 SCREWS: BRASS
 2 - #8 CUP WASHERS: COPPER, NI PLATED:

MOUNTING PLAN

RELEASED EC NO: ICG2016-0953 DRWN: GGUSTAFS 2015/12/29 CHKD: BARDEN 2016/02/12 APPR: BWOODMAN 2016/01/20	DESCRIPTION REV	QUALITY SYMBOLS	GENERAL TOLERANCES (UNLESS SPECIFIED)		DIMENSION STYLE		SCALE	DESIGN UNITS	THIRD ANGLE PROJECTION
		$\nabla=0$ $\nabla C=0$	mm	INCH	INCHES	NTS	INCH		
		4 PLACES	±---	±---	DRAWN BY	DATE	TITLE		
		3 PLACES	±---	±.005	GGUSTAFS	2015/12/29	FEMALE RECEPTACLE		
2 PLACES	±---	±.010	CHECKED BY	DATE	----				
1 PLACE	±---	±---	BARDEN	2016/02/12	----				
ANGULAR ± 5°			APPROVED BY		DATE	MOLEX INCORPORATED	DOCUMENT NO.		
DRAFT WHERE APPLICABLE MUST REMAIN WITHIN DIMENSIONS			BWOODMAN		2016/01/20		SD-130019-006	SHEET NO.	
A			MATERIAL NO.		1300190007	SD-130019-006		1 OF 1	
A			SIZE		A	THIS DRAWING CONTAINS INFORMATION THAT IS PROPRIETARY TO MOLEX INCORPORATED AND SHOULD NOT BE USED WITHOUT WRITTEN PERMISSION			

6

5

4

3

2

1