

6

5

4

3

2

1

E

E

D

D

C

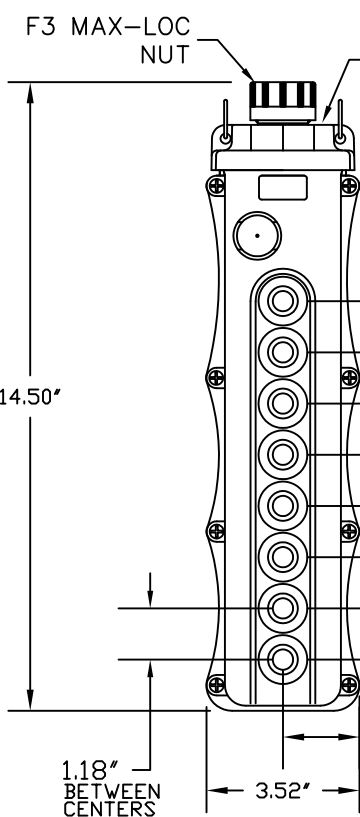
C

B

B

A

A



F3 MAX-LOC NUT
 STAINLESS STEEL SCREWS W/FLAT WASHER 1ST AND O'RING

TWO POSITION MAINTAINED SELECTOR SWITCH ON/OFF. (505SS-2)
 TWO POSITION MAINTAINED SELECTOR SWITCH ON/OFF. (505SS-2)
 BLANK (505BLNK)
 TWO POSITION MAINTAINED SELECTOR SWITCH ON/OFF. (505SS-2)
 TWO POSITION MAINTAINED SELECTOR SWITCH ON/OFF. (505SS-2)
 BLANK (505BLNK)
 THREE POSITION MOMENTARY W/CENTER OPEN
 MAINTAINED E-STOP NORMALLY OPEN/NORMALLY CLOSED (505B-RM)

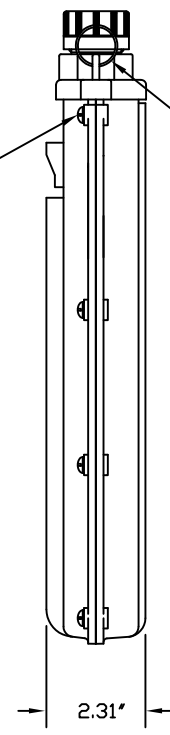
14.50"

1.18" BETWEEN CENTERS

3.52"

1.76"

STAINLESS STEEL SCREWS W/LOCK WASHER (8) REQ'D



STAINLESS STEEL SUPPORT RINGS (2) REQ'D

2.31"

- NOTES:
 1. INSTALLATION INSTRUCTIONS, BUTTON ID. LABELS. ARE PACK WITH THE PART.
 2. ALL BUTTONS ARE HIGH AMBIENT, CHEMICALLY RESISTANT MATERIAL - COLOR BLACK

RELEASE DRAWING EC NO: WNA2011-0020 DRWN: TVICKERS 2010/07/12 CHKD: KA APPR: DTITUS 2010/07/28 REV	QUALITY SYMBOLS	GENERAL TOLERANCES (UNLESS SPECIFIED)		DIMENSION STYLE IN/MM		SCALE NTS	DESIGN UNITS INCH	THIRD ANGLE PROJECTION
	▽=0 ∇=0	mm	INCH	DRAWN BY	DATE	TITLE		
		4 PLACES ±---	±---	TVICKERS	2010/07/12	5058 PENDANT W/(4)(505SS-2) 3 POS MOM & E-STOP		
		3 PLACES ±---	±.005	CHECKED BY	DATE			
	2 PLACES ±0.13	±.010	KA	2010/07/12	MOLEX INCORPORATED			
	1 PLACE ±0.25	±.020	APPROVED BY	DATE				
		ANGULAR ±.5°		DTITUS	2010/07/27			
	DRAFT WHERE APPLICABLE MUST REMAIN WITHIN DIMENSIONS			MATERIAL NO.	1301260328	DOCUMENT NO.	SD-130126-043	SHEET NO. 1 OF 1
A		SIZE A	THIS DRAWING CONTAINS INFORMATION THAT IS PROPRIETARY TO MOLEX INCORPORATED AND SHOULD NOT BE USED WITHOUT WRITTEN PERMISSION					

6

5

4

3

2

1