

# Housing - HC-HPR-B16-HHWH-1TTM40-EM-BK - 1411885

Please be informed that the data shown in this PDF Document is generated from our Online Catalog. Please find the complete data in the user's documentation. Our General Terms of Use for Downloads are valid (<http://phoenixcontact.com/download>)



Sleeve housing B16, with screw locking, material: Aluminum die-cast, cable outlets: 1, straight, height: 110.5 mm, cable gland: none, support sleeve: no, 1x M40, protective cover: no, Railway applications, for increased environmental and EMC requirements, Series HPR

## Your advantages

- Vibration and shock: IEC 61373/EN 50155, category 1, class 1B



## Key Commercial Data

Packing unit	1 pc
GTIN	
GTIN	4046356944533

## Technical data

### Dimensions

Height	110.5 mm
Width	59.2 mm
Length	166.2 mm

### Ambient conditions

Degree of protection of housing (IP)	IP66
	IP68 (0.5 bar / 24 h)
	IP69K (ISO 20653:2013-02)
Ambient temperature (operation)	-40 °C ... 125 °C

### General

Note	For contact inserts HC-B16, BB32, BBB40, D40, DD72, HS6, M, K
Size	B16
Housing type	Sleeve housing
Color	black
Locking type	with screw locking

# Housing - HC-HPR-B16-HHWH-1TTM40-EM-BK - 1411885

## Technical data

### General

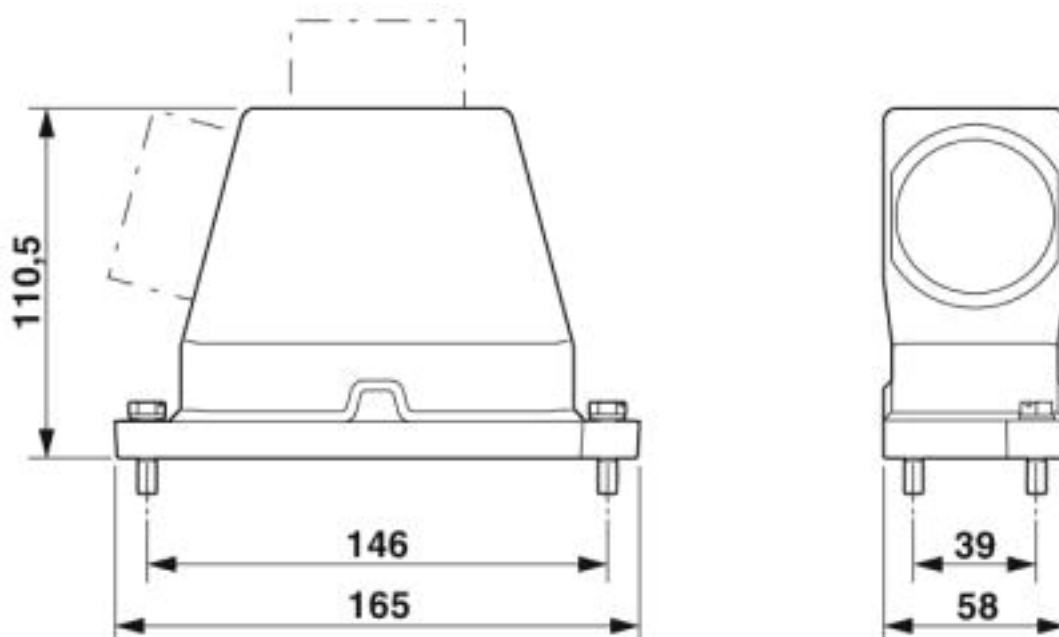
No. of cable outlets	1
Cable outlet	straight
Screw connection	none
Type of the screw connection	1x M40
Protective cover	no
Housing material	Aluminum die-cast
Housing surface material	Powder-coated, black
Material of locking screw	Stainless steel
Assembly instructions	M6 locking screw, slotted hexagon head screw (SW10), tightening torque: 4 Nm

### Environmental Product Compliance

China RoHS	Environmentally Friendly Use Period = 50
	For details about hazardous substances go to tab "Downloads", Category "Manufacturer's declaration"

## Drawings

Dimensional drawing



Dimensional drawing

## Approvals

### Approvals

# Housing - HC-HPR-B16-HHWH-1TTM40-EM-BK - 1411885

## Approvals

Approvals

EAC / DNV GL

---

Ex Approvals

---

### Approval details

EAC		RU C- DE.AI30.B.01102
-----	---	--------------------------

DNV GL		<a href="https://approvalfinder.dnvgl.com/">https://approvalfinder.dnvgl.com/</a>	TAE000037S
--------	---	---	------------

---

Phoenix Contact 2019 © - all rights reserved  
<http://www.phoenixcontact.com>

PHOENIX CONTACT GmbH & Co. KG  
Flachsmarktstr. 8  
32825 Blomberg  
Germany  
Tel. +49 5235 300  
Fax +49 5235 3 41200  
<http://www.phoenixcontact.com>