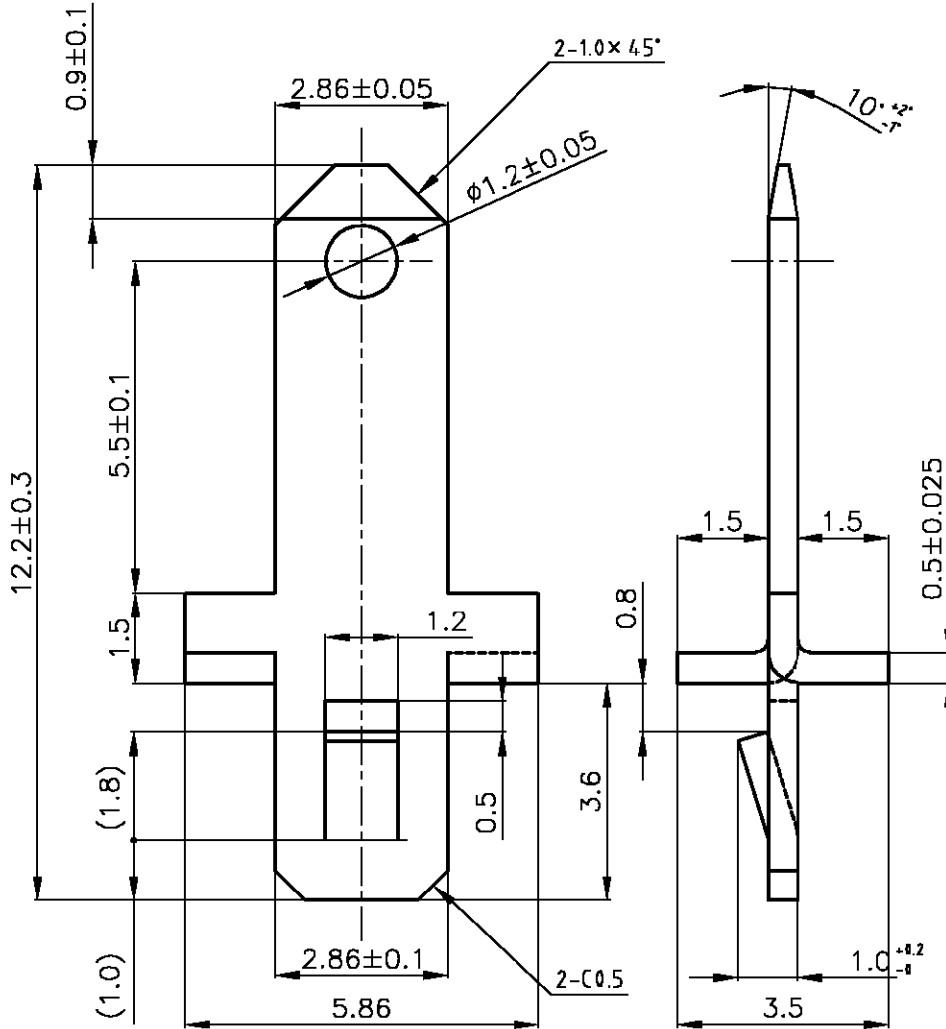


LOC J	DIST —	REVISIONS 変更			DATE	DWN	APVD
		P	LTR	DESCRIPTION			
		0	RELEASED	FJ00-1948-01	31AUG'01	Y.Y	Y.K

注記 :

1. 本製品の旧管理型番は3172-0である。



BRASS WITH TIN PLATING	1565048-1
MATERIAL & FINISH	P/N

THIS DRAWING IS UNPUBLISHED.

RELEASED FOR PUBLICATION

ALL RIGHTS RESERVED.

BY TYCO ELECTRONICS CORPORATION.

DIMENSIONS: 単位: 特 MM	DWN Y.YAMADA	31AUG'01	MATERIAL 材料	SEE TABLE	FINISH 仕上
	CHK M.SHINDO	31AUG'01	Tyco Electronics AMP K.K. Kawasaki, Japan		
TOLERANCES UNLESS OTHERWISE SPECIFIED: 一般公差 ±0.1	APVD Y.KASHIWA	31AUG'01			
	PRODUCT SPEC 製品規格	SIZE A4	CAGE CODE 00779	DRAWING NO 番号 1565048	RESTRICTED TO —
	APPLICATION SPEC 取付適用規格		CUSTOMER DRAWING		
WEIGHT	SCALE 尺度 FREE			SHEET 1 OF 1	REV 0