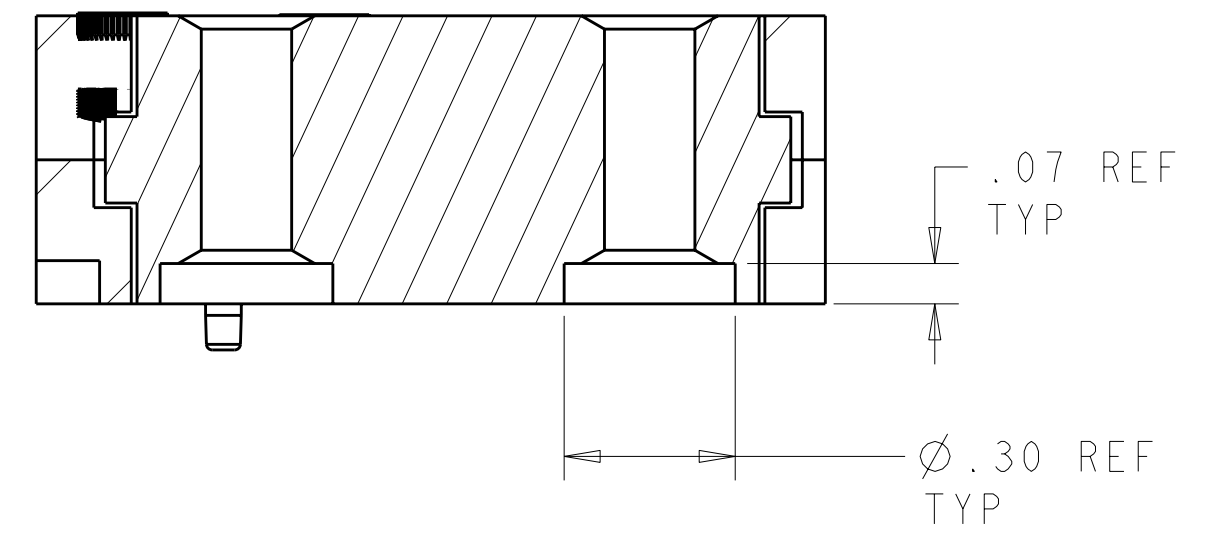
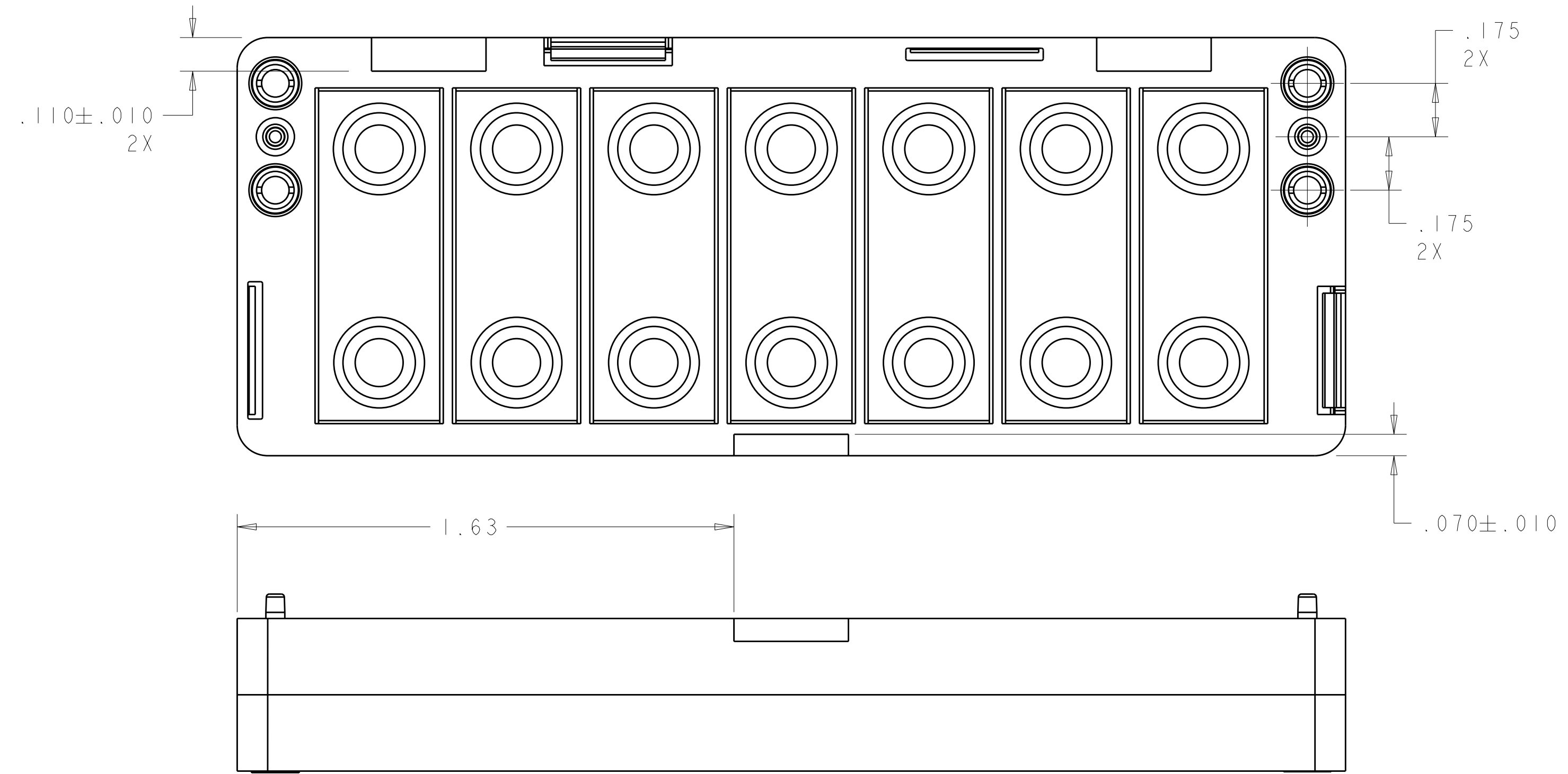
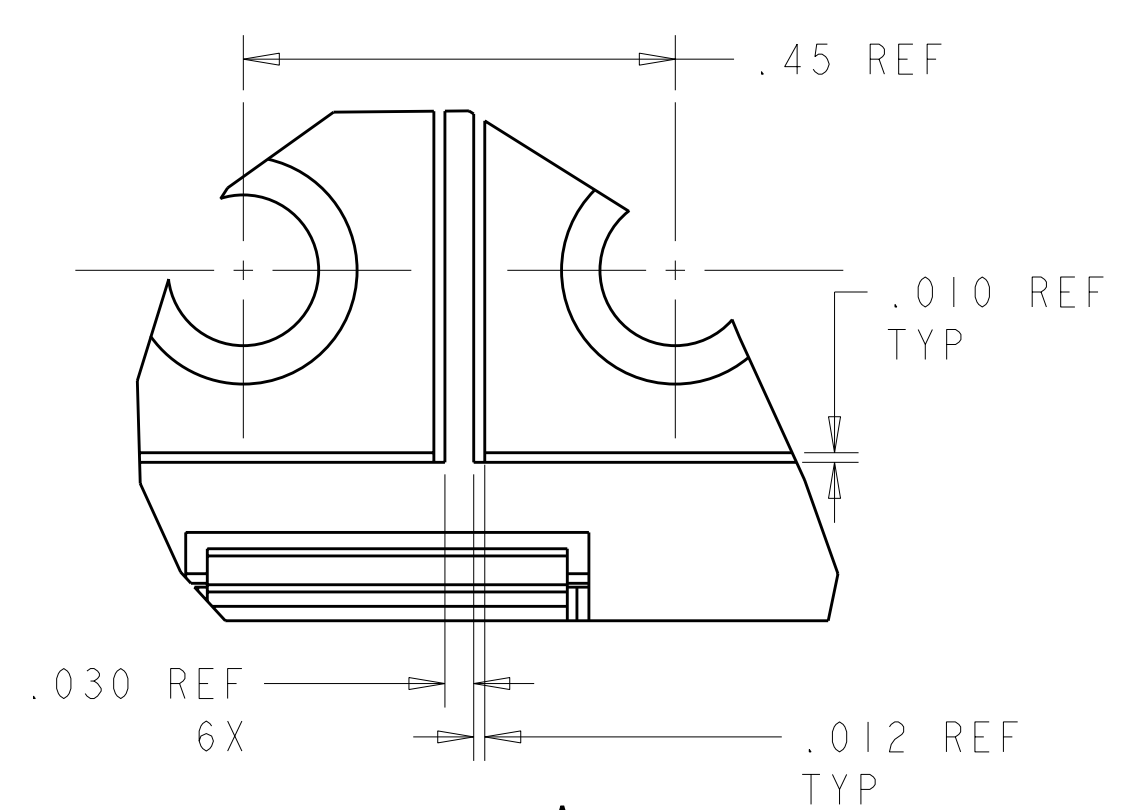
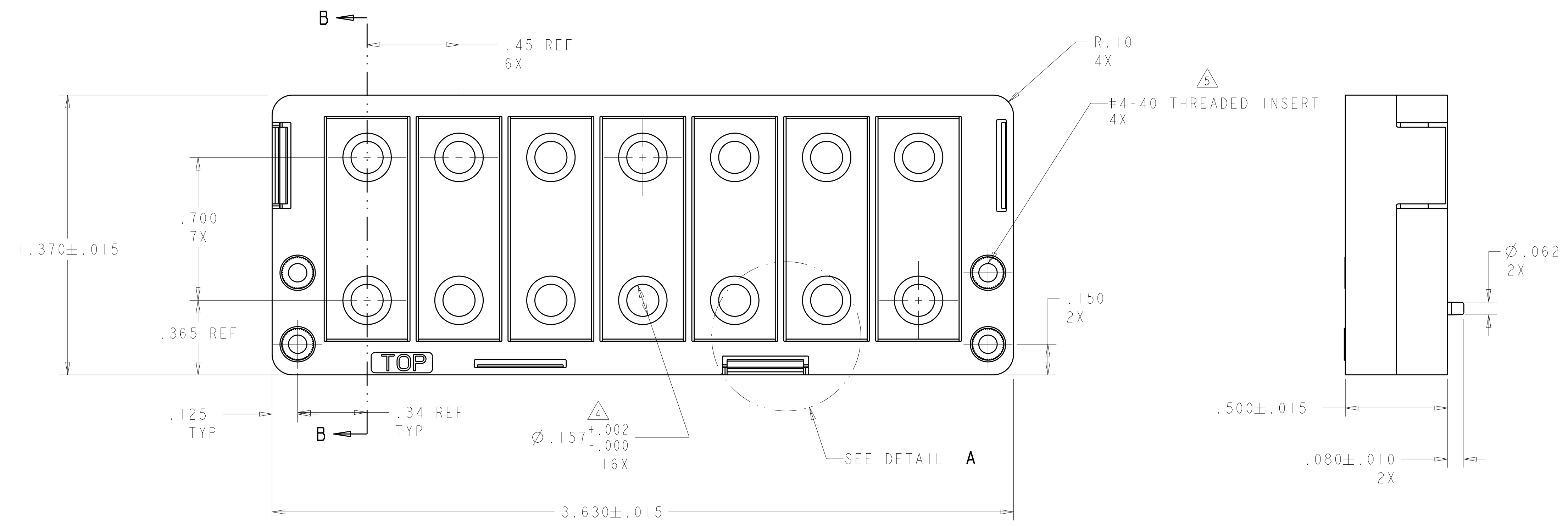


LOC	DIST	REV	DATE	BY	CHKD	APVD
-	-	B	08JUN2009	HMR	GS	
-	-	C	14JAN2010	RG	DO	



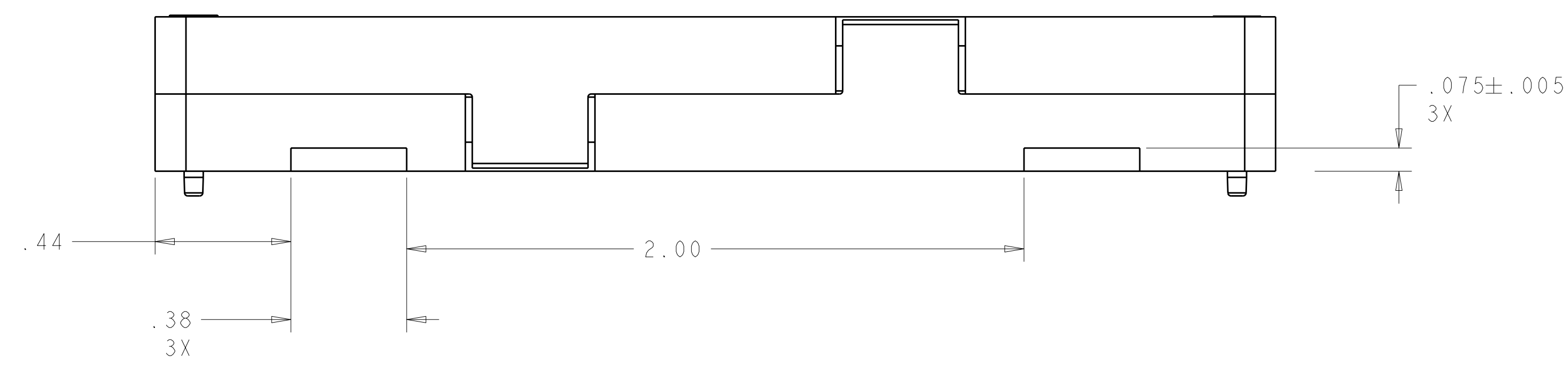
SECTION B-B  
 ROTATED 90° CW



DETAIL A  
 SCALE 5:1

NOTES:

- MATERIALS  
 POWER BLOCK: ALUMINUM  
 POWER BLOCK RETAINER: PBT, UL 94V-0  
 THREADED INSERT: BRASS
- FINISHES  
 POWER BLOCK: GOLD OVER NICKEL
- FOR MATING PIN REFER TO THE 1954041 DRAWING
- POWER BLOCK BORES LUBRICATED
- MAXIMUM SCREW TORQUE 4.0 INCH-LBS (0.46 kgf-m)



1954038-2  
 PART NUMBER

DIMENSIONS: INCHES 		TOLERANCES UNLESS OTHERWISE SPECIFIED: 9 PLC ± .1 1 PLC ± 0.1 2 PLC ± 0.02 3 PLC ± 0.005 4 PLC ± 0.0005 ANGLES ± .1		DWN M. MOSTOLLER 15JUN2006 CHK M. MOSTOLLER 15JUN2006 APVD M. MOSTOLLER 15JUN2006 NAME PRODUCT SPEC APPLICATION SPEC SIZE CAGE CODE DRAWING NO WEIGHT CUSTOMER DRAWING		Tyco Electronics Harrisburg, PA 17105-3608 POWER BLOCK, 7 POS A100779C=1954038 SCALE 3:1 SHEET 1 OF 1 REV C	
---------------------------	--	---	--	--	--	---	--