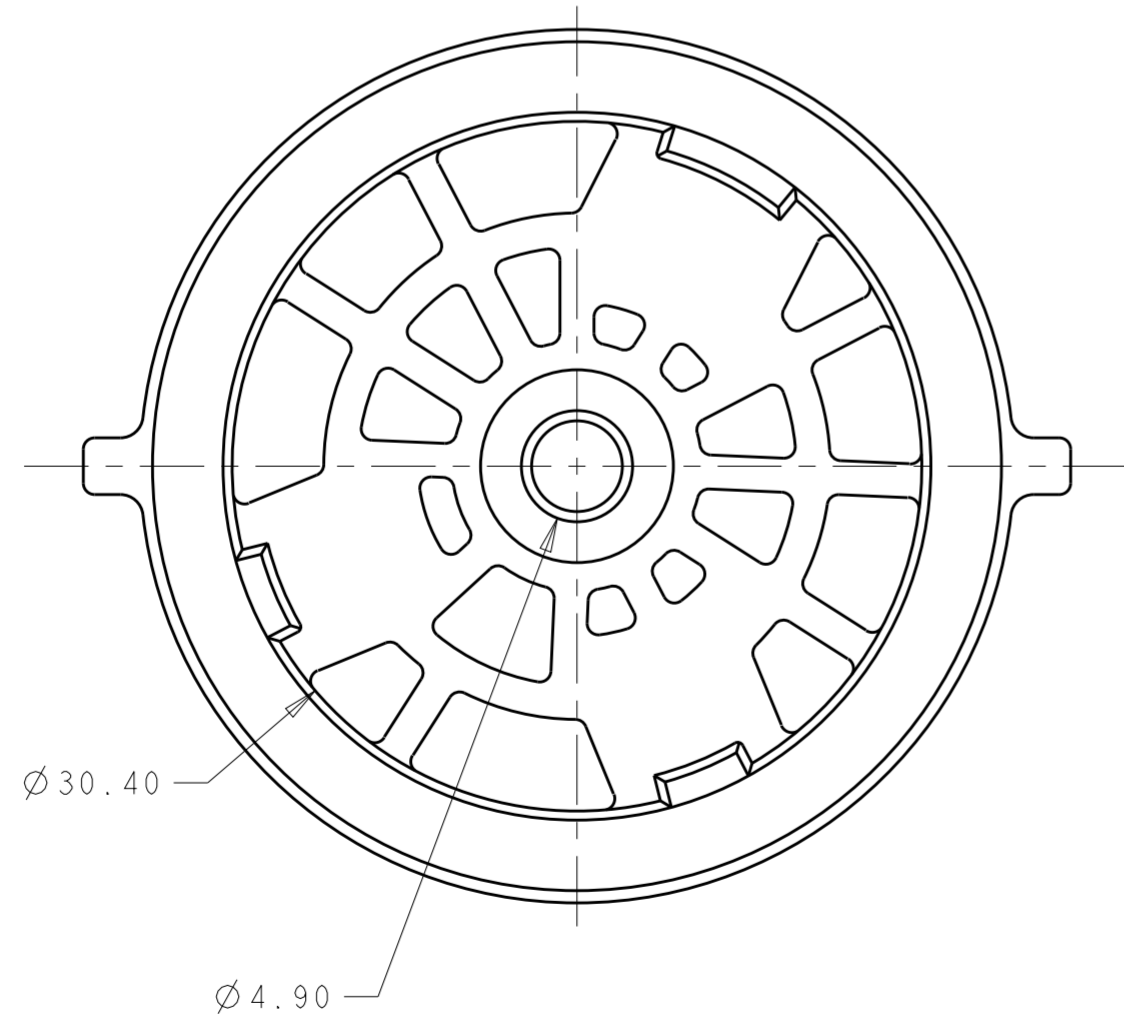
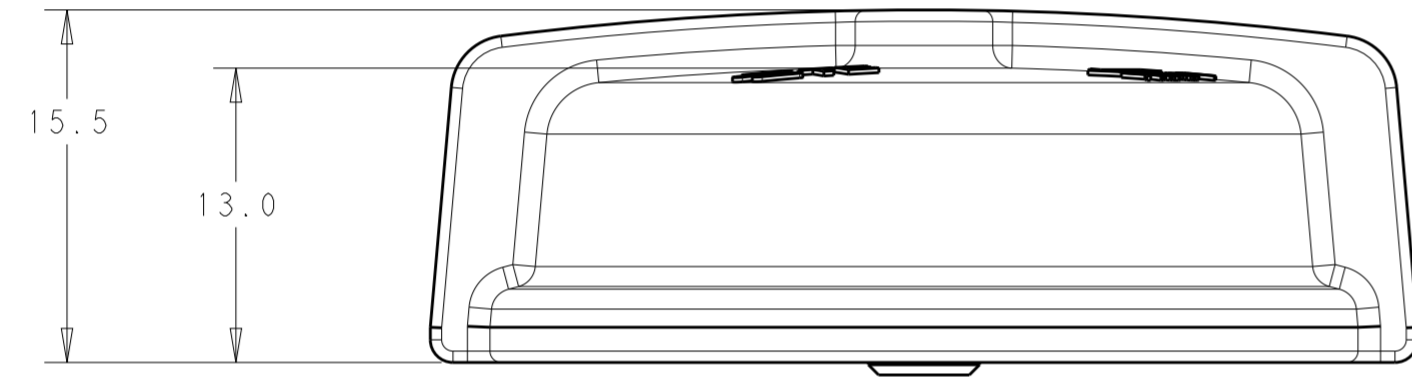
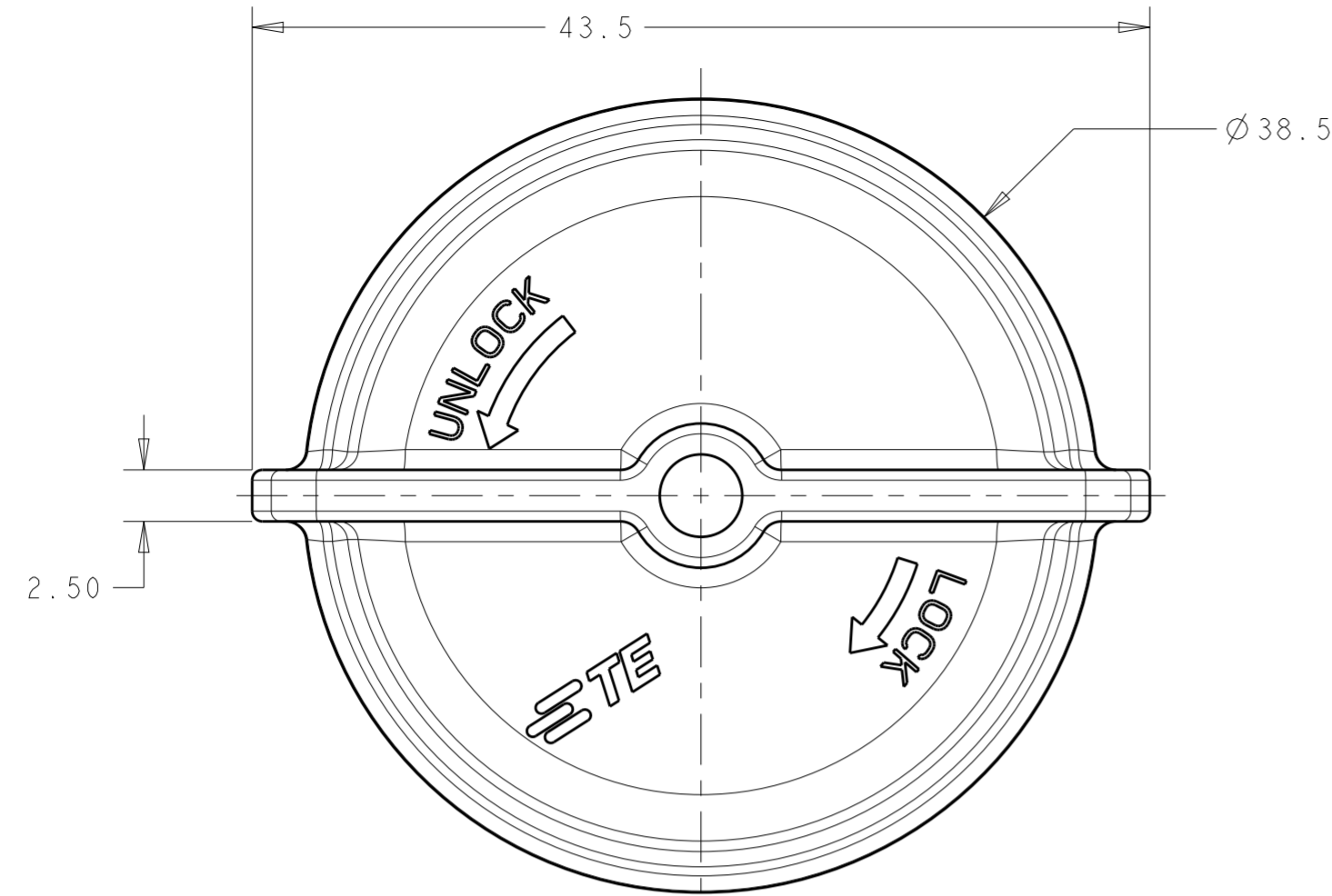


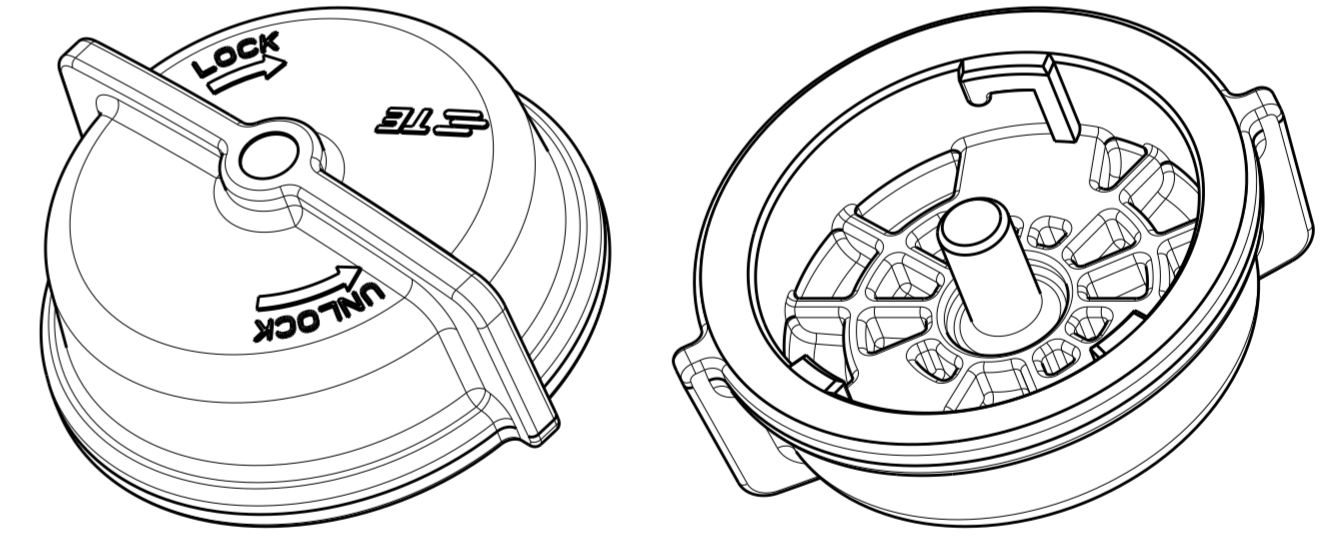
THIS DRAWING IS UNPUBLISHED. RELEASED FOR PUBLICATION
 © COPYRIGHT copyright.d8te- ALL RIGHTS RESERVED.

REVISIONS				
P	LTR	DESCRIPTION	DATE	APVD
5		REMOVE PRELIM NOTE	10AUG2017	MM MM
A		REVISED PER ECR-18-014848	20SEP2018	SR DD
A1		REVISED PER ECR-18-017637	13NOV2018	GCM DD



NOTES:

- 1 MATERIALS AND FINISH:
 -SEALING CAP: PBT, COLOR: SEE TABLE
- 2. MUST COMPLY WITH DIRECTIVE 2002/95/EC (ROHS)



RAL 7035	LIGHT GRAY	2213795-2
RAL 7043	DARK GRAY	2213795-1
REFERENCE COLOR No.	COLOR	PART NO.

THIS DRAWING IS A CONTROLLED DOCUMENT.		DWN C. DAILY 04APR2016	TE Connectivity	
DIMENSIONS: mm		CHK E. HOWARD 04APR2016	NAME SEALING CAP, LUMAWISE ENDURANCE S RECEPTACLE	
TOLERANCES UNLESS OTHERWISE SPECIFIED:		APVD -	PRODUCT SPEC 108-133073	
0 PLC ±		APVD	APPLICATION SPEC 114-133074	
1 PLC ±0.2		APVD	WEIGHT -	
2 PLC ±0.15		APVD	SCALE 5:1 SHEET 1 OF 1 REV A1	
3 PLC ±		APVD	CUSTOMER DRAWING	
4 PLC ±		APVD		
ANGLES ±2		APVD		
FINISH		APVD		