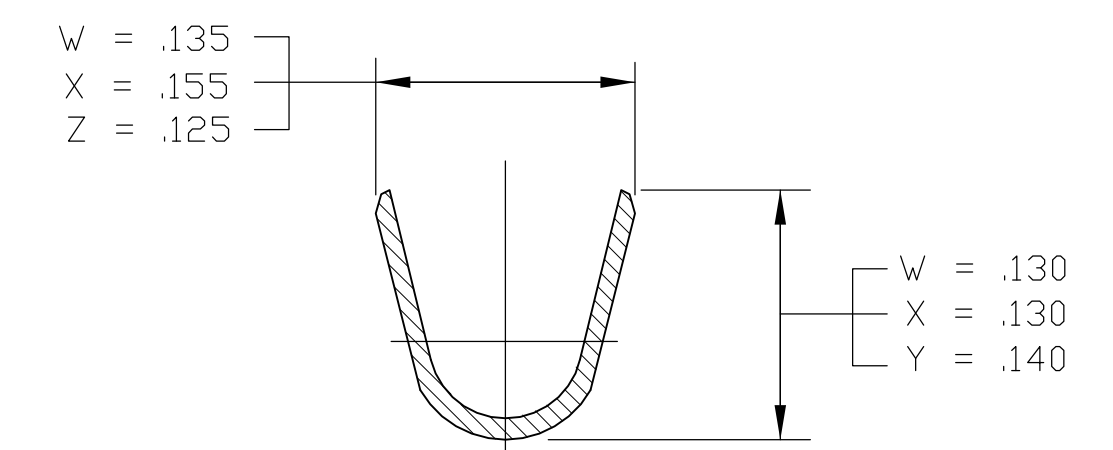
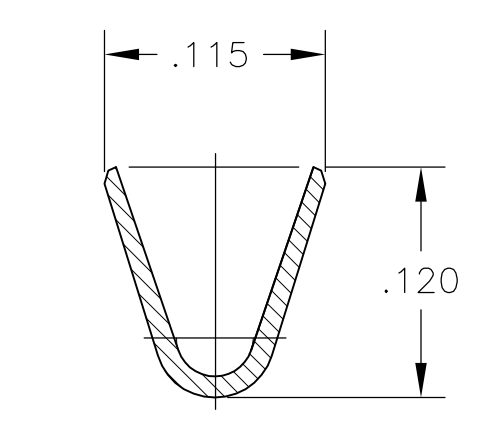
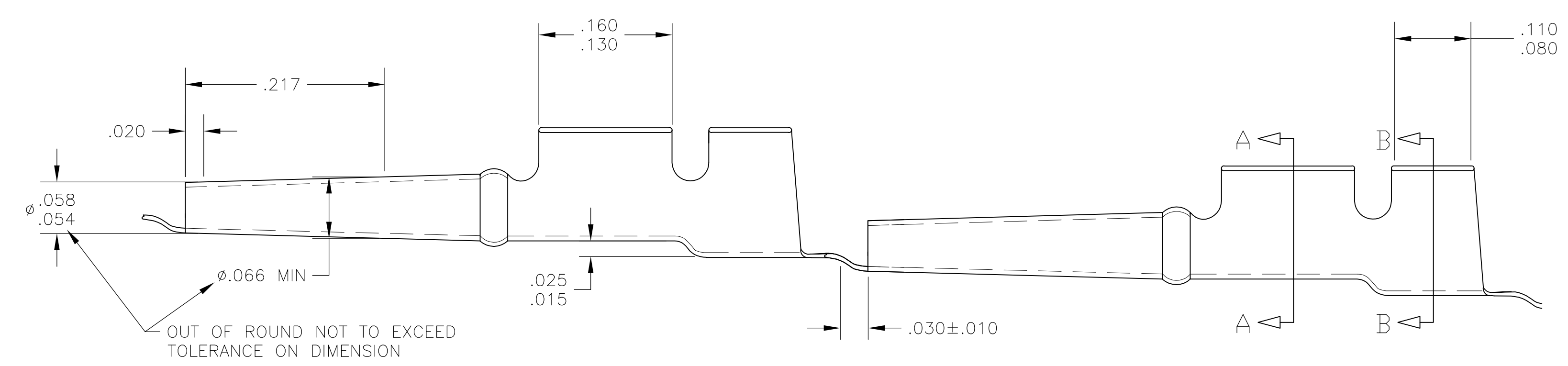
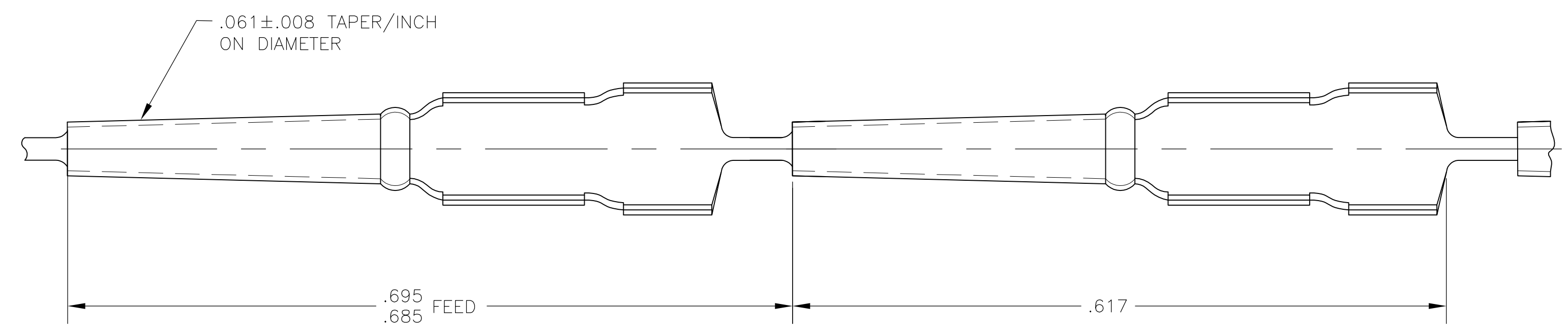
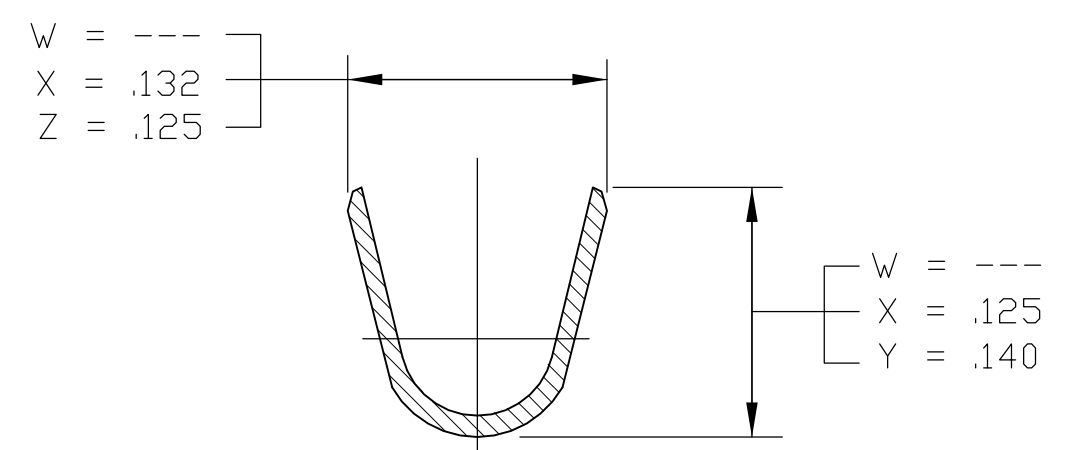
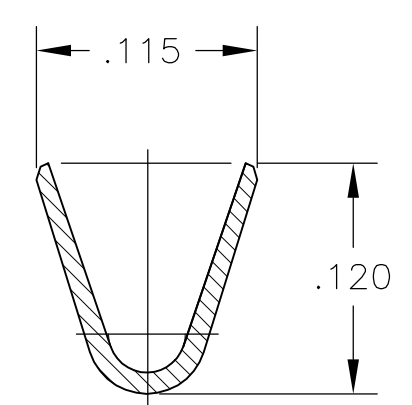
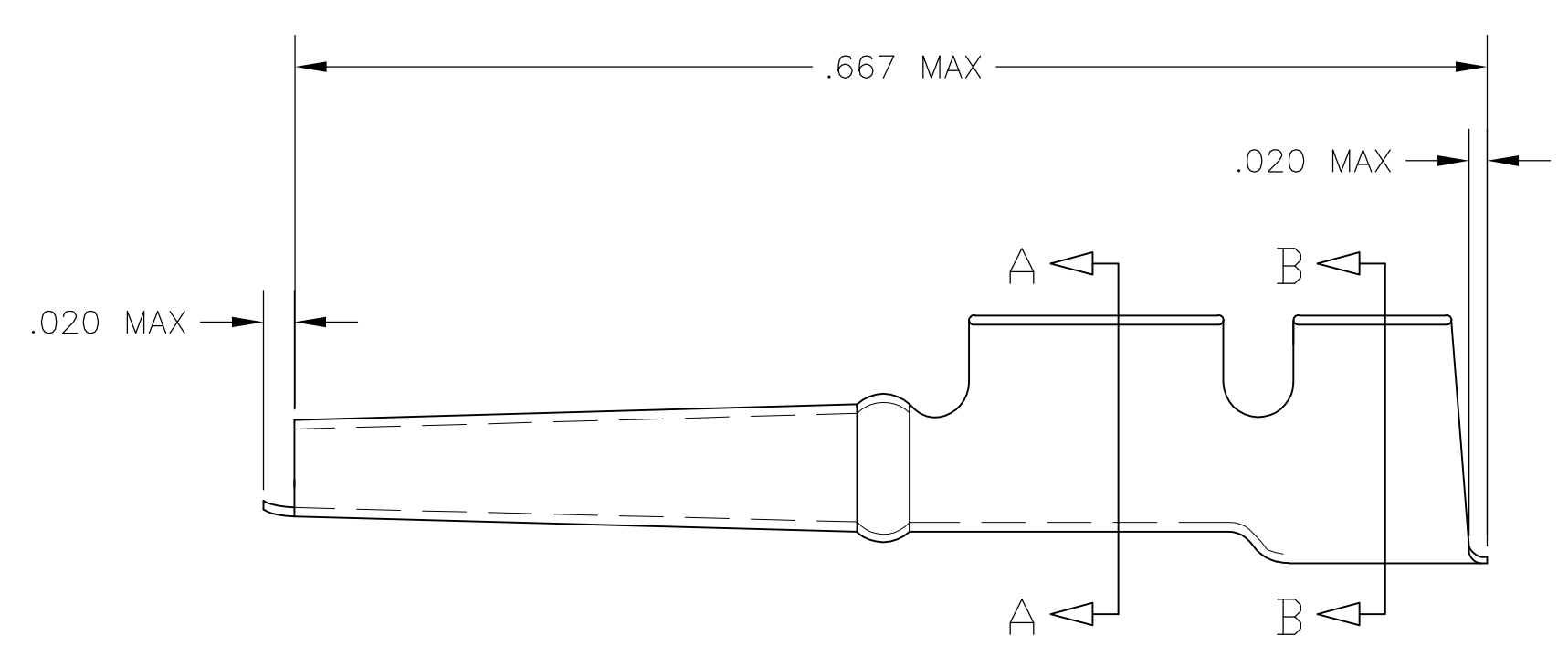


REVISIONS					
P	LTR	DESCRIPTION	DATE	DWN	APVD
AN	REV PER ECO	17-010065	8-7-17	CT	DM

1 OBSOLETE PART NUMBER



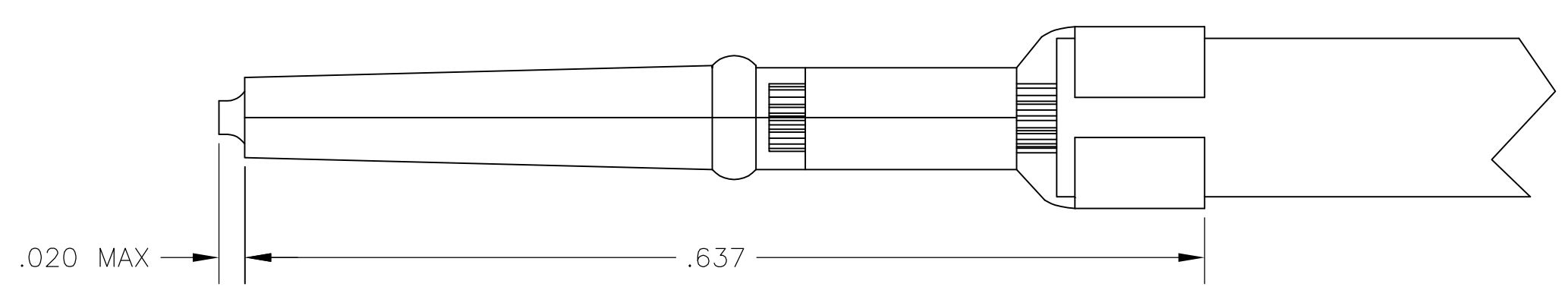
STRIP



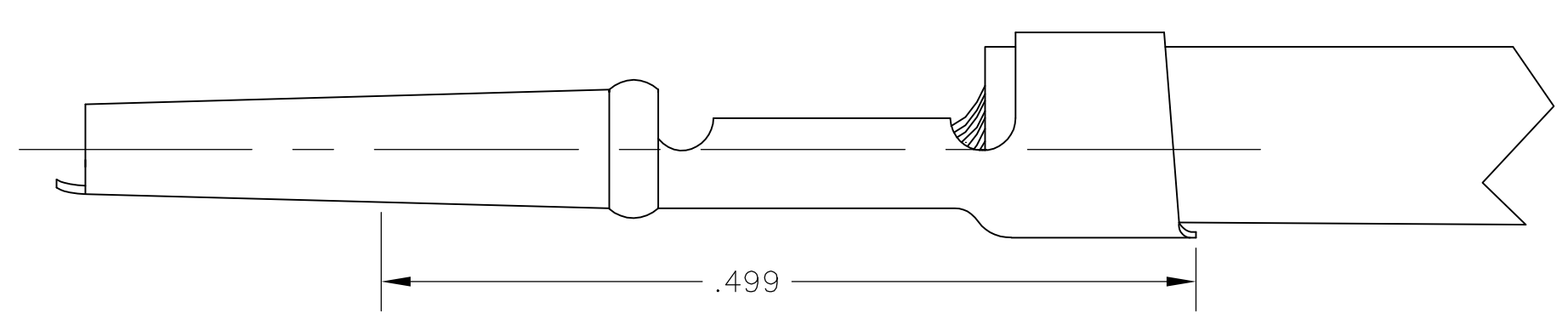
SECTION A-A

SECTION B-B

LOOSE PIECE



CRIMPED VERSION



MAX INSTALLED EXTENSION

.054	47043	380306-3	UNPLATED	X	.080-.100	20-18	41997	41991
.054	47043	380306-3	.00003 GOLD OVER .00005 NICKEL	X	.080-.100	20-18	5-41667-0	5-41650-0
.054	47043	380306-3	.0002 SILVER	X	.080-.100	20-18	41669	41652
.054	47043	380306-3	.0001 MATTE TIN	X	.080-.100	20-18	41668	41651
.054	47043	380306-3	.0001 BRIGHT TIN-LEAD	X	.080-.100	20-18	41667	41650
CRIMP HEIGHT	HAND TOOL	INSERT TOOL	FINISH	INSUL CODE	INSUL SIZE	WIRE SIZE	LOOSE PIECE PART NO.	PART NO.

THIS DRAWING IS A CONTROLLED DOCUMENT.

DIMENSIONS: INCHES	TOLERANCES UNLESS OTHERWISE SPECIFIED:	DIN P. YEAGER 16DEC09	16DEC09
0. PLC ± -	1. PLC ± -	CHK J. WEAVER	16DEC09
2. PLC ± -	3. PLC ± .005	APVD J. WEAVER	16DEC09
4. PLC ANGLES ± ± 5°			

MATERIAL: .0160 COML BRASS FINISH: -

WEIGHT: 0.000000

CUSTOMER DRAWING

STE TE Connectivity

TAPER PIN, 53 SERIES WITH INSULATION SUPPORT

SIZE: A1 CAGE CODE: 00779 DRAWING NO: 41650

SCALE: 10:1 SHEET: 1 OF 1 REV: AN