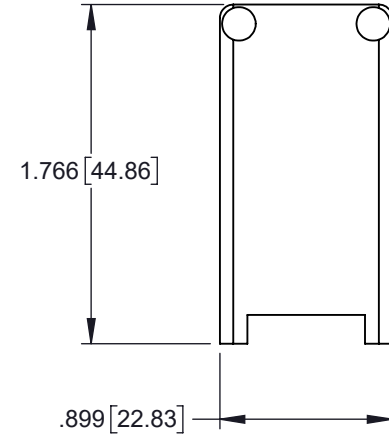
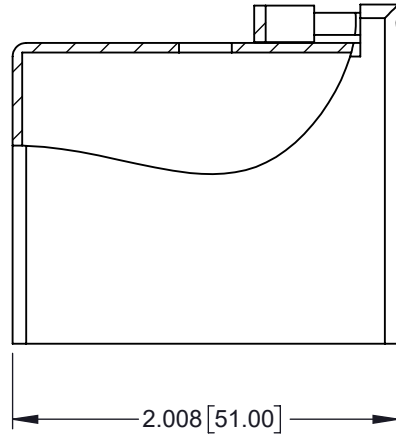
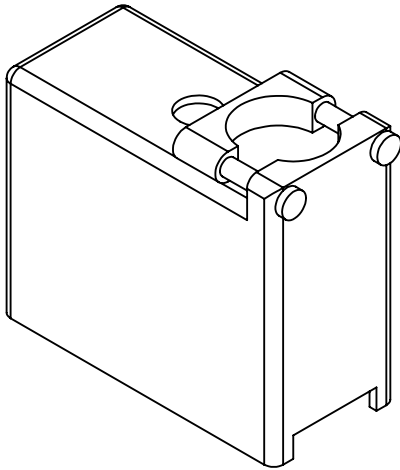


TOLERANCE UNLESS OTHERWISE SPECIFIED IN MM:
GENERAL ±0.02 [0.5]

THIS IS A C.A.D. GENERATED DRAWING
DO NOT MAKE MANUAL REVISIONS TO MASTER.



ISSUE NUMBER	
ORIGINAL	①
ADD TOL J.T	MAY10/17 ②



ORDERING CODE:

516-230-638

Series: _____
 Cover Sub-Assembly: _____
 Entry Style: _____
 6-Metal Cover, Top Entry
 Cover Size: SIZE 38 _____

1. MATERIAL:
COVER: ZINC DIE CAST
PAINTED WITH GREY ENAMEL
2. PAINT SHALL COMPLETELY COVER ALL EXTERIOR SURFACES
AND BE FREE OF BLISTERS, BUBBLES, AND VOIDS.
3. INCHES [MM]



THIS SERIES FULLY CONFORMS TO THE
EUROPEAN UNION DIRECTIVES 2011/65/EC
RoHS COMPLIANCY.



YOUR CONNECTION TO QUALITY & SERVICE

EDAC INC
TORONTO, ONTARIO
CANADA

THESE DRAWINGS AND SPECIFICATIONS
ARE THE PROPERTY OF EDAC INC. AND
SHALL NOT BE REPRODUCED, OR COPIED
OR USED AS THE BASIS FOR THE
MANUFACTURE OR SALE OF APPARATUS
WITHOUT WRITTEN PERMISSION.

**516 SERIES COVER ASSEMBLY
PART NUMBER: 516-230-638**

ACAD REFERENCE NO.	516-230-638		
DRAWN: R.STA.MONICA	DATE: MAY.27/11		
CHECKED:	DATE:		
SCALE: NOT TO SCALE	SHEET 1	1	
DRAWING NUMBER	516-230-638		ISSUE 2