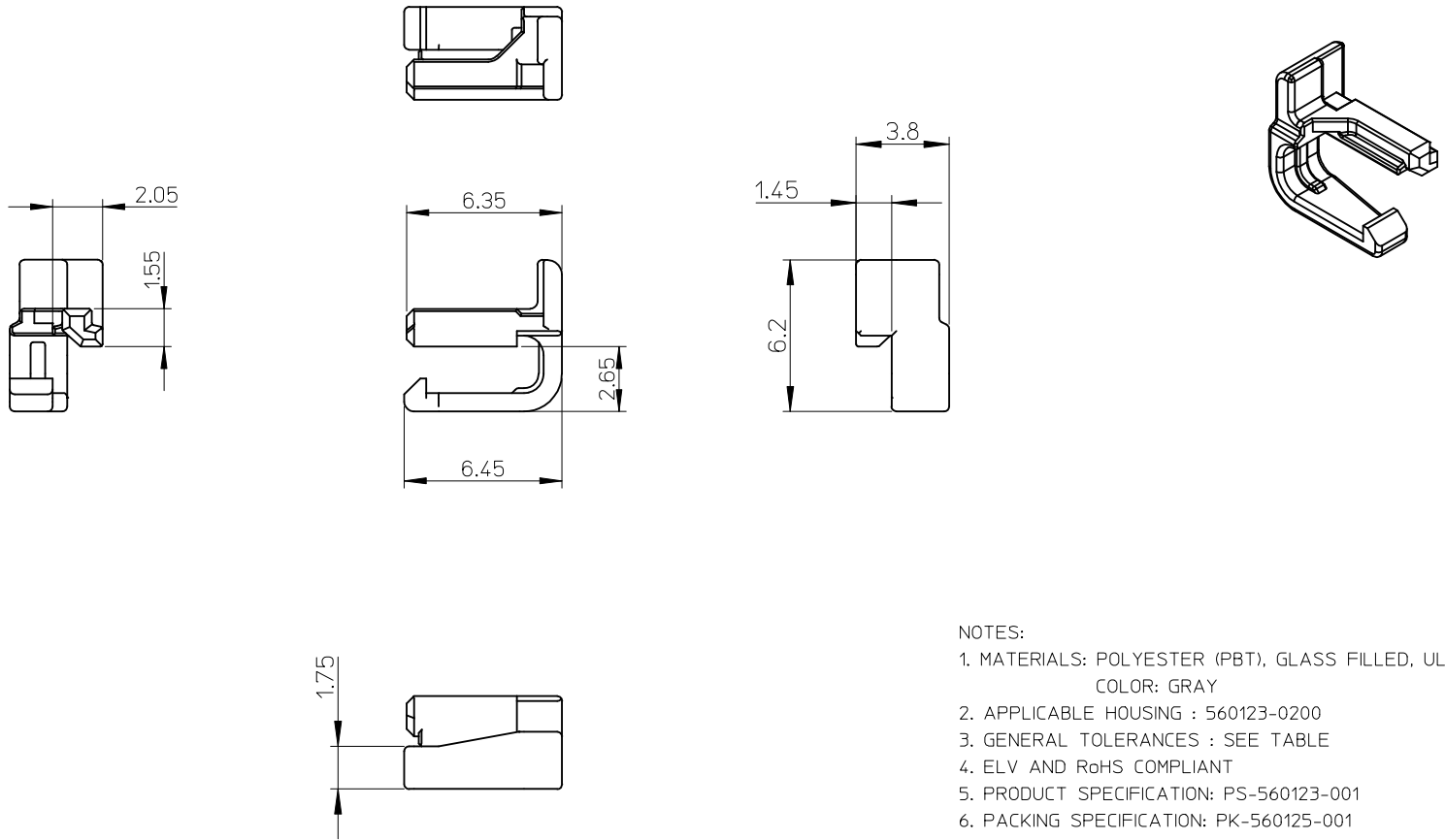


10 9 8 7 6 5 4 3 2 1

GENERAL TOLERANCE									USED ON
10 MAX	30 MAX	50 MAX	70 MAX	100 MAX	120 MAX	250 MAX	250 OVR	ANGLE	ECCENT
±0.15	±0.20	±0.30	±0.40	±0.50	±0.75	±0.90	±1.4	±0.5°	0.1



- NOTES:
1. MATERIALS: POLYESTER (PBT), GLASS FILLED, UL94V-0, COLOR: GRAY
 2. APPLICABLE HOUSING : 560123-0200
 3. GENERAL TOLERANCES : SEE TABLE
 4. ELV AND RoHS COMPLIANT
 5. PRODUCT SPECIFICATION: PS-560123-001
 6. PACKING SPECIFICATION: PK-560125-001

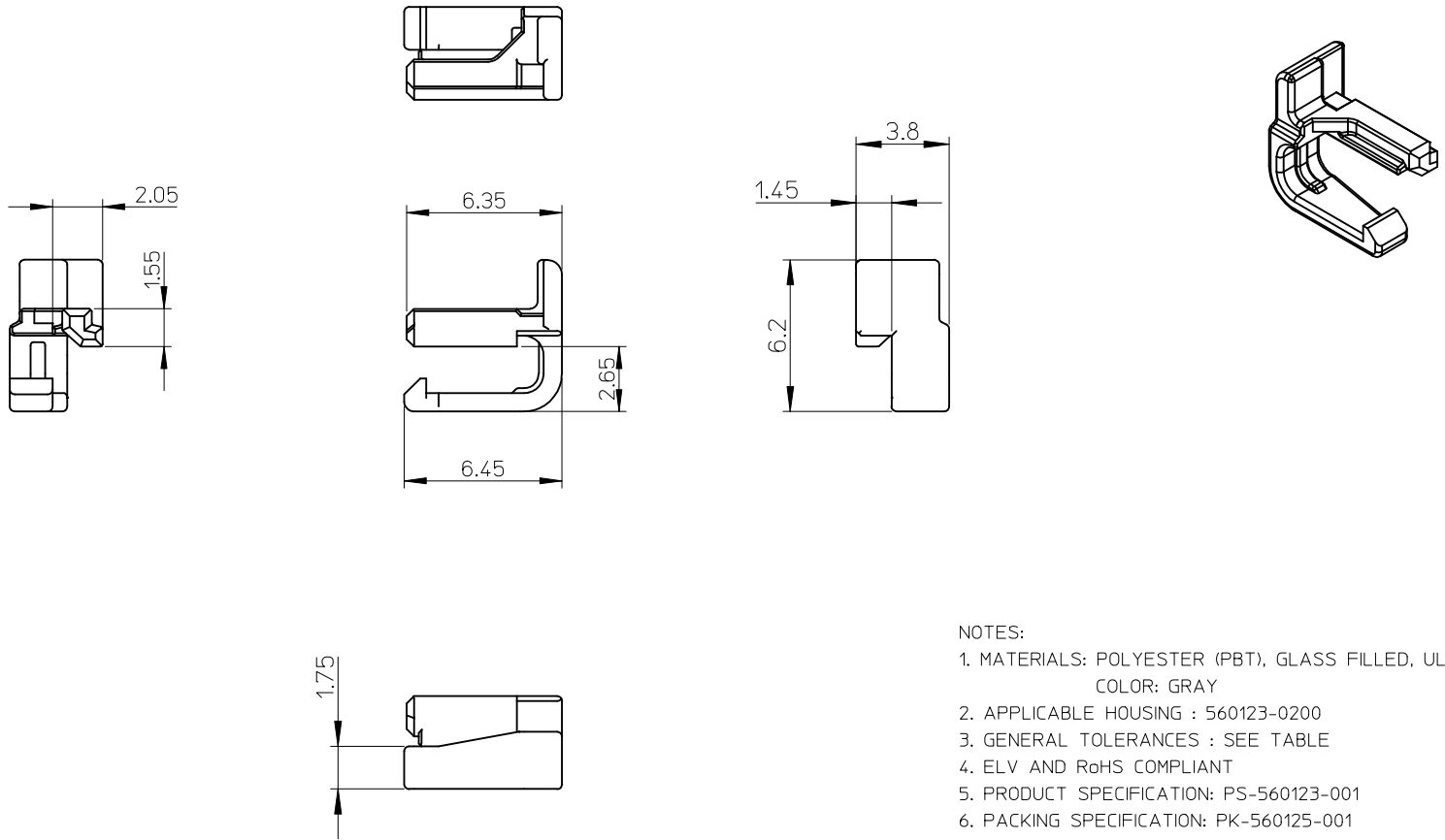
ORDER NO	MATERIAL NO
560125-0200	5601250200

NEW RELEASE EC NO: KTR2014-0051 DRWN: YIBA EK 2014/07/03 CHKD: APPR: SRTAK 2014/08/26	QUALITY SYMBOLS	GENERAL TOLERANCES (UNLESS SPECIFIED) 4 PLACES ± --- ± --- 3 PLACES ± --- ± --- 2 PLACES ± --- ± --- 1 PLACE ± --- ± --- ANGULAR ± ---°	DIMENSION STYLE	SCALE	DESIGN UNITS	THIRD ANGLE PROJECTION	
	▼=0 □=0		MM ONLY	5:1	METRIC		
	DRAWN BY: YIBA EK CHECKED BY: APPROVED BY: SRTAK MATERIAL NO.		DATE: 2014/07/03	TITLE	NEW 2.0 PITCH W/B CONN REC.2WAY ISL DURACLIC™ ISL SERIES		
	SEE TABLE		DATE: 2014/08/26	MOLEX INCORPORATED DOCUMENT NO.	SD-560125-001		
DRAFT WHERE APPLICABLE MUST REMAIN WITHIN DIMENSIONS		SIZE	THIS DRAWING CONTAINS INFORMATION THAT IS PROPRIETARY TO MOLEX INCORPORATED AND SHOULD NOT BE USED WITHOUT WRITTEN PERMISSION				

9 8 7 6 5 4 3 2 1

10 9 8 7 6 5 4 3 2 1

GENERAL TOLERANCE										USED ON
10 MAX	30 MAX	50 MAX	70 MAX	100 MAX	120 MAX	250 MAX	250 OVR	ANGLE	ECCENT	
±0.15	±0.20	±0.30	±0.40	±0.50	±0.75	±0.90	±1.4	±0.5°	0.1	



- NOTES:
1. MATERIALS: POLYESTER (PBT), GLASS FILLED, UL94V-0, COLOR: GRAY
 2. APPLICABLE HOUSING : 560123-0200
 3. GENERAL TOLERANCES : SEE TABLE
 4. ELV AND RoHS COMPLIANT
 5. PRODUCT SPECIFICATION: PS-560123-001
 6. PACKING SPECIFICATION: PK-560125-001

ORDER NO	MATERIAL NO
560125-0200	5601250200

NEW RELEASE EC NO: KTR2014-0051 DRWN: YIBA EK 2014/07/03 CHKD: APPR: SRTAK 2014/08/26 REV DESCRIPTION	QUALITY SYMBOLS	GENERAL TOLERANCES (UNLESS SPECIFIED) <table border="1"> <thead> <tr> <th></th> <th>mm</th> <th>INCH</th> </tr> </thead> <tbody> <tr> <td>4 PLACES</td> <td>± ---</td> <td>± ---</td> </tr> <tr> <td>3 PLACES</td> <td>± ---</td> <td>± ---</td> </tr> <tr> <td>2 PLACES</td> <td>± ---</td> <td>± ---</td> </tr> <tr> <td>1 PLACE</td> <td>± ---</td> <td>± ---</td> </tr> </tbody> </table>		mm	INCH	4 PLACES	± ---	± ---	3 PLACES	± ---	± ---	2 PLACES	± ---	± ---	1 PLACE	± ---	± ---	DIMENSION STYLE	SCALE	DESIGN UNITS	THIRD ANGLE PROJECTION
			mm	INCH																	
	4 PLACES		± ---	± ---																	
	3 PLACES		± ---	± ---																	
2 PLACES	± ---	± ---																			
1 PLACE	± ---	± ---																			
▼=0 □=0		MM ONLY	5:1	METRIC																	
			DRAWN BY: YIBA EK DATE: 2014/07/03 CHECKED BY: DATE:	TITLE: NEW 2.0 PITCH W/B CONN REC.2WAY ISL DURACLIC™ ISL SERIES																	
			APPROVED BY: SRTAK DATE: 2014/08/26	MOLEX INCORPORATED																	
			MATERIAL NO. SEE TABLE	DOCUMENT NO. SD-560125-001	SHEET NO. 1 OF 1																
			DRAFT WHERE APPLICABLE MUST REMAIN WITHIN DIMENSIONS	THIS DRAWING CONTAINS INFORMATION THAT IS PROPRIETARY TO MOLEX INCORPORATED AND SHOULD NOT BE USED WITHOUT WRITTEN PERMISSION																	

9 8 7 6 5 4 3 2 1