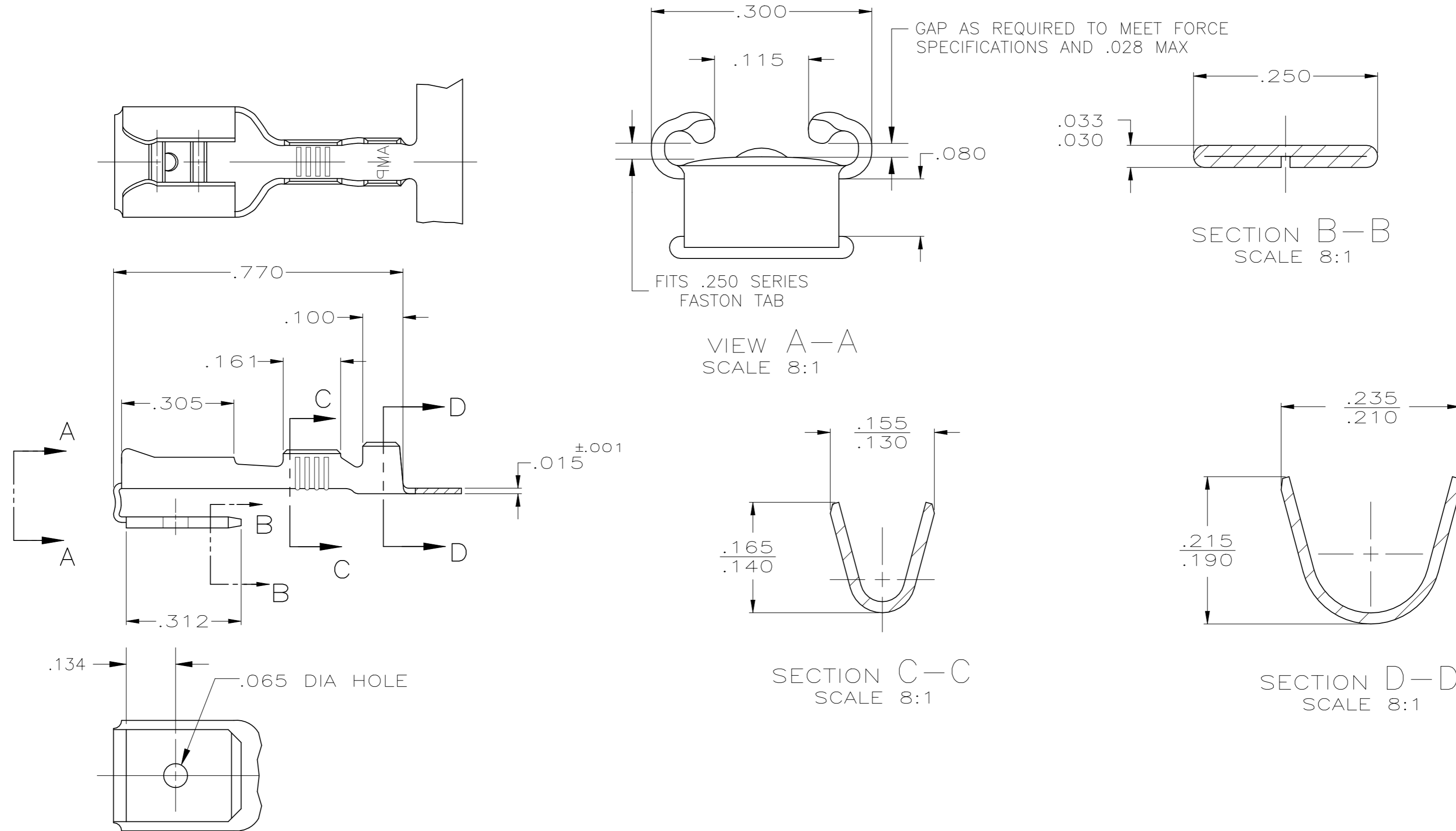


REVISIONS					
P	LTR	DESCRIPTION	DATE	DWN	APVD
F2		REVISED PER ECR-21-113405	31MAY2022	SS	DH

1. THE GAP ON THE ROLLS TO BE IN CONTACT WITH THE TAB FOR THE LENGTH OF THE ROLL BEHIND THE LEAD-IN.



TYPE	WIDTH	STRIP LENGTH ±.015	TYPE	WIDTH	±.002 HEIGHT	WIRE
F	.180	.220	F	.110	.057	18
					.063	16
					.072	14
INSUL BARREL CRIMP			WIRE BARREL CRIMP			

TIN	MATERIAL	INSULATION RANGE	WIRE SIZE	MATING TAB THK	PART NO.
TIN	BRASS	.120-.170	18-14	.033-.030	62223-2
-	BRASS	.120-.170	18-14	.033-.030	62223-1

THIS DRAWING IS A CONTROLLED DOCUMENT.

DWN	JR RUTH	7/12/89
CHK	MS FEHER	7/12/89
APVD	C MEYERS	7/12/89

TE Connectivity

RECEPTACLE, FASTON™
PIGGYBACK, .250 SERIES

SIZE	A2	CAGE CODE	00779	DRAWING NO	C-62223	RESTRICTED TO	-
WEIGHT	0.000000	SCALE	4:1	SHEET	1 OF 1	REV	F2

CUSTOMER DRAWING