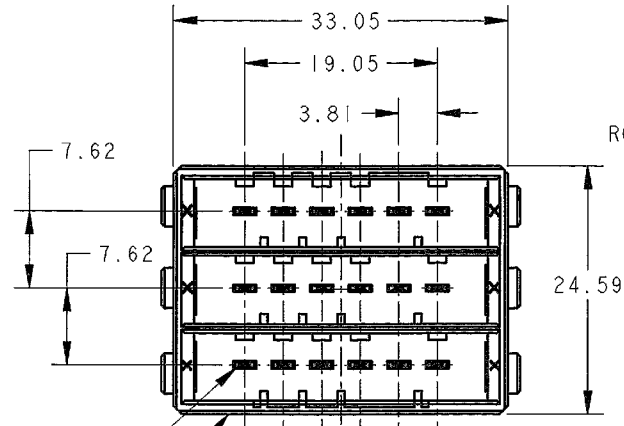
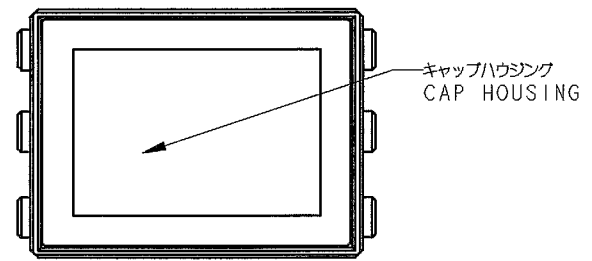
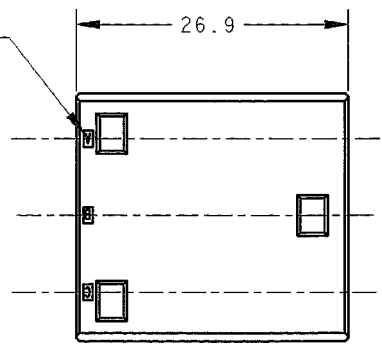


THIS DRAWING IS UNPUBLISHED. RELEASED FOR PUBLICATION 2001  
 © COPYRIGHT 2001 BY TYCO ELECTRONICS CORPORATION. ALL RIGHTS RESERVED.

P	LTR	DESCRIPTION	ECN	DATE	DWN	APVD	REVISIONS	
							変更	
0		RELEASED	FJ00-1740-01	26SEP2001	S.Y	S.M		
01		REVISED	FJ00-0298-03	27AUG2003	D.M	S.M		

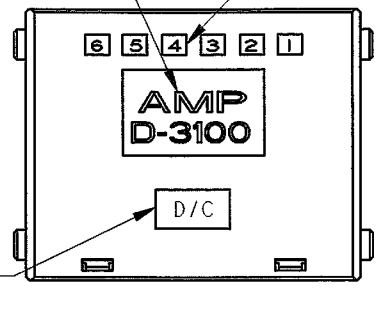


-1 : AS SHOWN (F/H)  
 -1 : 本図 (F/H)

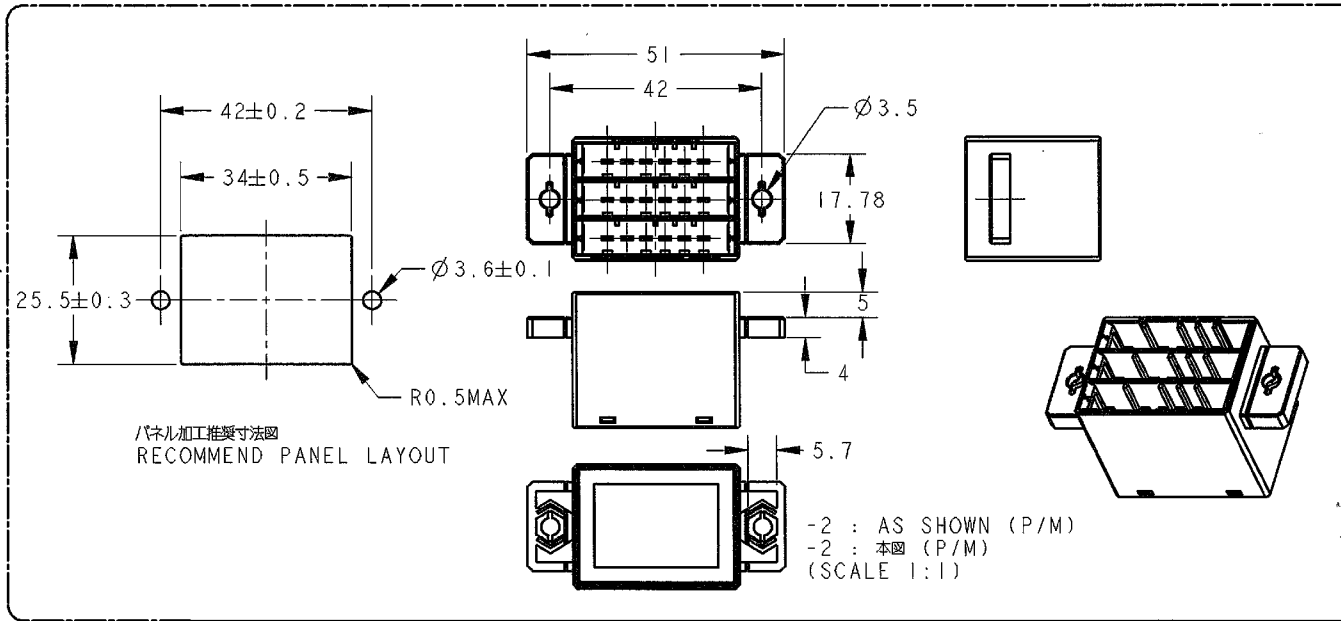


タブコンタクト  
TAB CONTACT  
 タップハウジング  
TAP HOUSING

AMPマーク&シリーズマーク  
AMP MARK & SERIES MARK  
 回路番号  
CIRCUIT No.



テートコード  
D/C



-2 : AS SHOWN (P/M)  
 -2 : 本図 (P/M)  
 (SCALE 1:1)

注記  
 1、材料：ハウジング：ガラス入り熱可塑性ポリエステル樹脂、94V-0、黒  
 コンタクト：銅合金  
 2、メッキ：コンタクト：全面Ni下地 1.3μmMIN、接点部：金メッキ 0.38μmMIN

NOTE  
 1, MATERIAL; HOUSING: GLASS FILED THERMOPLASTIC, 94V-0, BLACK  
 CONTACT: COPPER ALLOY  
 2, FINISH; UNDER PLATE: Ni 1.3μm MIN, CONTACT AREA: Au 0.38μm MIN

<small>THIS DRAWING IS A CONTROLLED DOCUMENT FOR TYCO ELECTRONICS CORPORATION          IT IS SUBJECT TO CHANGE AND THE CONTROLLING ENGINEERING ORGANIZATION          SHOULD BE CONTACTED FOR THE LATEST REVISION.</small>		DWN 09AUG2001 S. YOKOZeki CHK 26SEP2001 D. MITSUGI APVD 26SEP2001 S. MANABE PRODUCT SPEC 108-5754 APPLICATION SPEC 取付電線図	<b>tyco</b> Electronics Tyco Electronics AMP K.K. Kawasaki, Japan
DIMENSIONS: 単位: ㎜ 	TOLERANCES UNLESS OTHERWISE SPECIFIED: 0 PLC ± 1 PLC ± ±0.4 2 PLC ± ±3° 3 PLC ± 4 PLC ± ANGLES ±	NAME 名称 DYNATAP CONN. 18P ASSY -DYNAMIC 3100 -	RESTRICTED TO
MATERIAL 材料	FINISH 仕上	SIZE A3 CAGE CODE 00779 DRAWING NO. C=1376807	SCALE 2:1 SHEET 1 OF 1 REV 01