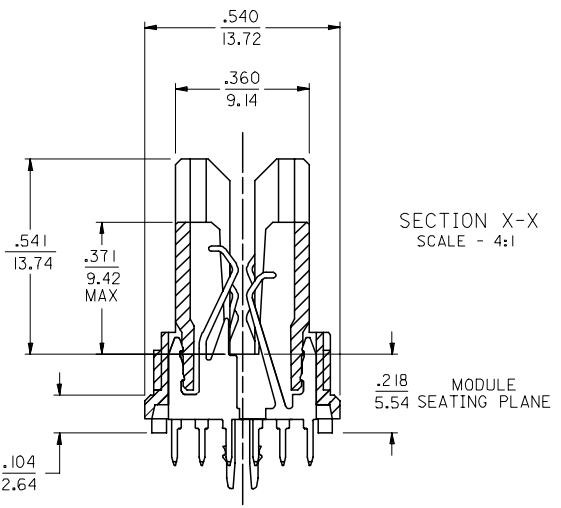
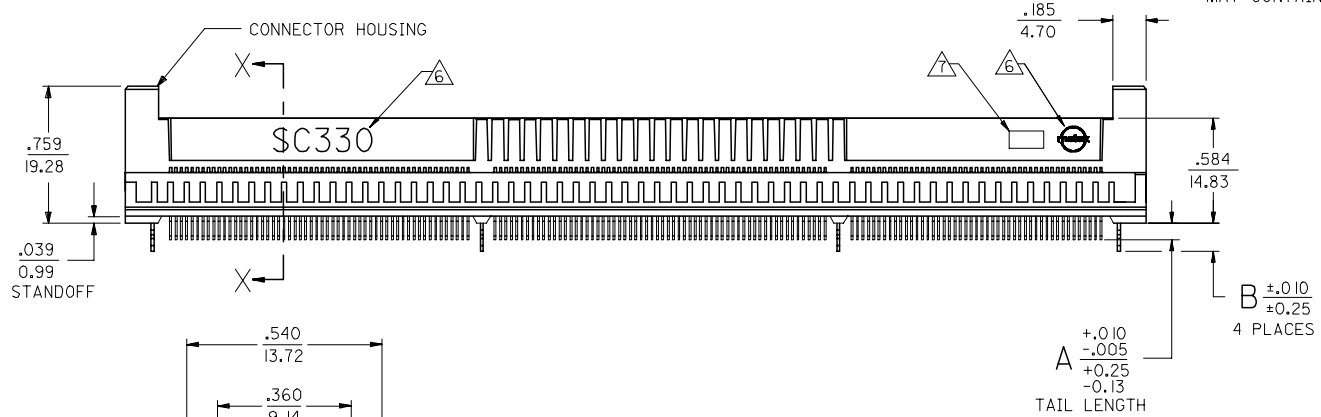
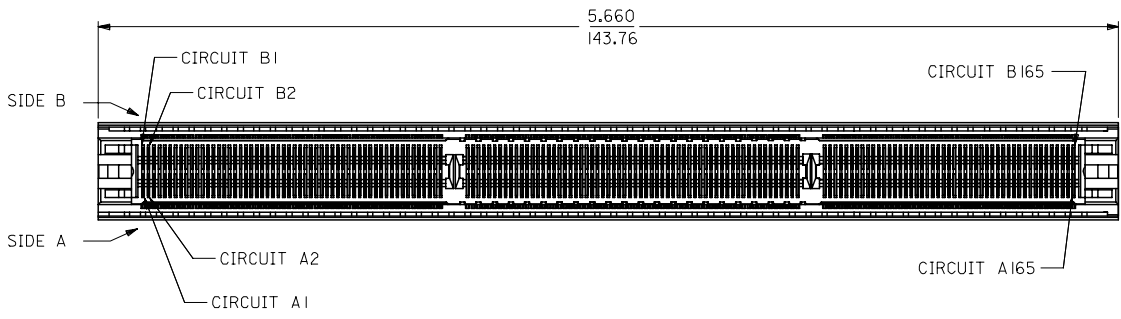


NOTES:

1. MATERIALS:
HOUSING - LCP, 30% GLASS FILLED, 94-VO, BLACK.
TERMINALS - PHOSPHOR BRONZE.
METAL FORKLOCKS - PHOSPHOR BRONZE.
2. FINISH:
TERMINALS - .000030/0.00076 MINIMUM GOLD IN THE CONTACT AREA AND .000075/0.0019 MINIMUM TIN IN SOLDER TAIL AREA OVER .000050/0.0013 MINIMUM NICKEL OVERALL.
METAL FORKLOCKS - .00008/0.002 MINIMUM TIN OVERALL.
3. PRODUCT SPECIFICATION PS-71109-9990 APPLIES.
4. CARD SLOT ACCEPTS .062 +.007/-.005 P.C. BOARD.
5. THE RECOMMENDED PLATING SPECIFICATION FOR THE MATING PC BOARD IS .000030/0.0076 MINIMUM GOLD OVER .000075/0.0019 MINIMUM NICKEL.
6. *SC330* AND MOLEX LOGO SHALL APPEAR ON BOTH SIDES OF HOUSING AND LOCATED APPROXIMATELY AS SHOWN.
7. FOUR DIGIT DATE CODE (YR/WK) SHALL BE LOCATED APPROXIMATELY AS SHOWN.
8. THE PRIMARY SHIPPING CARTON WILL BE LABELED *COMPLIANT TO ROHS DIRECTIVE 2002/95/EC AND ELV ANNEX II OF DIRECTIVE 2000/53/EC*. CARTONS WITHOUT THIS LABEL MAY CONTAIN PRODUCT WITH LEAD.



71109-5007	.140/3.56	.155/3.94
71109-5006	.115/2.92	.155/3.94
71109-5005	.090/2.29	.155/3.94

MAT'L NUMBER	A	B
--------------	---	---

MODIFY 71109-5007 EC NO: UCP2006-1372 DRAWN BY: BARRA 2005/12/19 CHKD: MORGAN 2006/01/05 APPR: MILLER 2006/01/06	QUALITY SYMBOLS ▽=0 ▽=0	GENERAL TOLERANCES (UNLESS SPECIFIED) 4 PLACES ± --- ± --- 3 PLACES ± --- ± .005 2 PLACES ± 0.13 ± --- 1 PLACE ± --- ± --- ANGULAR ±1/2°	DIMENSION STYLE IN/MM DRAWN BY: NELSON DATE: 1997/06/20 CHECKED BY: NELSON DATE: 1997/06/20 APPROVED BY: FUNCK DATE: 1997/06/20 MATERIAL NO. DOCUMENT NO. SD-71109-503	SCALE 2:1 DESIGN UNITS INCH THIRD ANGLE PROJECTION	2 F 1 J SHT REV
--	-------------------------------	---	--	--	-----------------------

DRAFT WHERE APPLICABLE MUST REMAIN WITHIN DIMENSIONS

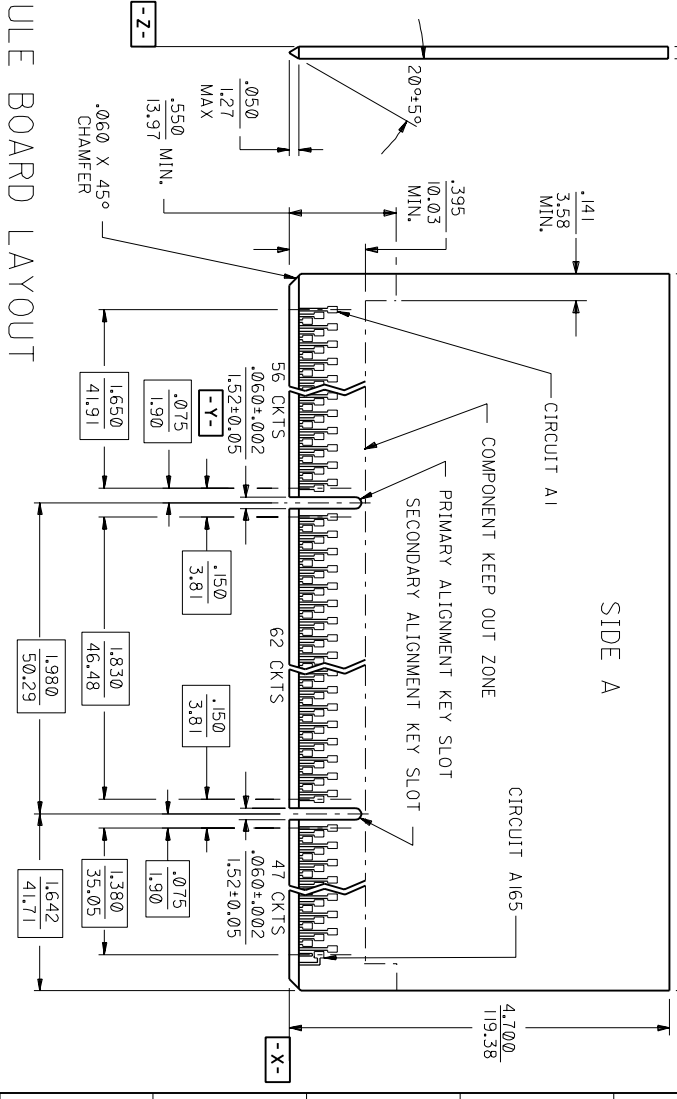
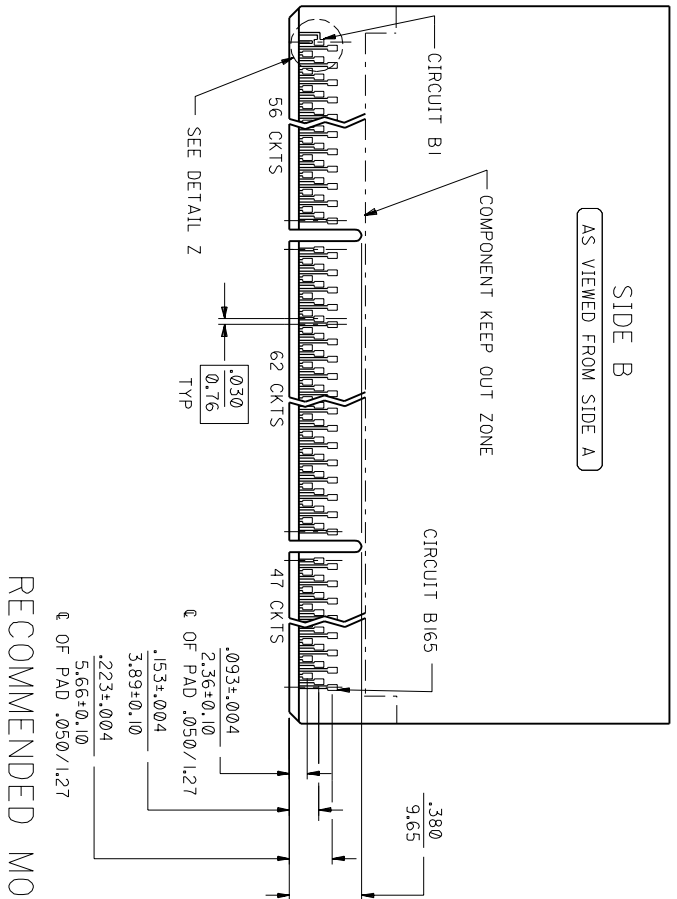
SALES ASSEMBLY
SC330 HISPEC CONNECTOR
W/METAL PEGS

molex MOLEX INCORPORATED

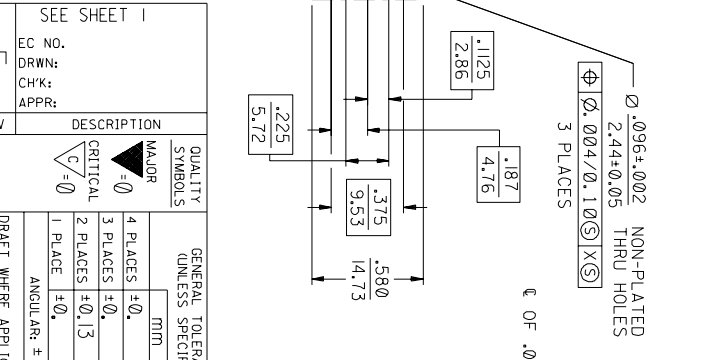
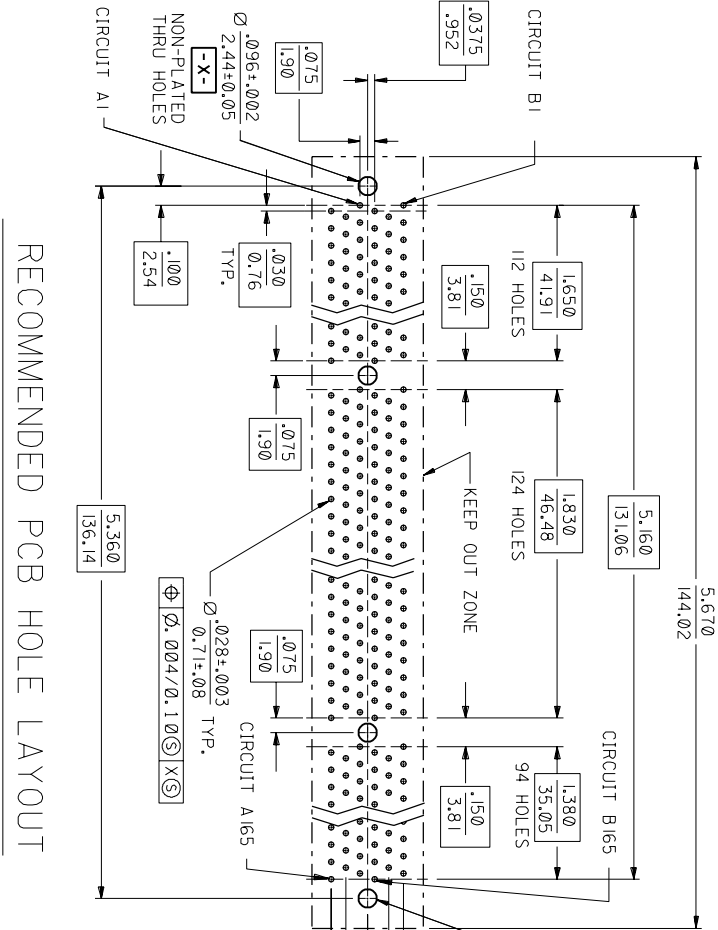
THIS DRAWING CONTAINS INFORMATION THAT IS PROPRIETARY TO MOLEX INCORPORATED AND SHOULD NOT BE USED WITHOUT WRITTEN PERMISSION

SHEET NO. 1 OF 2

13 12 11 10 9 8 7 6 5 4 3 2 1 71109



RECOMMENDED MODULE BOARD LAYOUT



RECOMMENDED PCB HOLE LAYOUT

REV	DESCRIPTION	QUALITY SYMBOLS	GENERAL TOLERANCES:		SCALE		DESIGN UNITS		DIMENSIONS:			
			MM	INCH	M	I	MM	INCH	MM	INCH	MM	INCH
1	PLACES ±0.13		±.	±.	2	1	2	1	<input checked="" type="checkbox"/>	<input type="checkbox"/>	<input type="checkbox"/>	<input type="checkbox"/>
2	PLACES ±0.13		±.	±.								
3	PLACES ±0.13		±.	±.								

DRAFT WHERE APPLICABLE MUST REMAIN WITHIN DIMENSIONS

CD FILENAME: **SD-71109-503**

SEE TABLE

MATERIAL NO. **SD-71109-503**

DRAWING NO. **SD-71109-503**

SHEET NO. **2**

SIZE **C**

SALES ASSEMBLY

SC330 HISPEC® CONNECTOR

W/METAL FORKLOCKS

MOLEX INCORPORATED

APPROVED BY & DATE: 06/20/97

CHECKED BY & DATE: 06/20/97

DRAWN BY & DATE: 06/20/97

TITLE: SC330 HISPEC® CONNECTOR W/METAL FORKLOCKS

THIRD ANGLE PROJECTION

BORDON REV 4 5/6/06/12 LEVEL 5