

# MATERIALS & SPECIFICATIONS

HOUSING:  
ALUMINUM 6061-T6, NICKEL  
PLATE PER SAE-AMS-2404.

INSULATOR:  
THERMOPLASTIC PER MIL-DTL-  
32139

CONTACT:  
COPPER ALLOY PER MIL-DTL-  
32139, GOLD PLATE PER ASTM  
B488, (HARD GOLD) TYPE II  
CODE C, CLASS 1.27

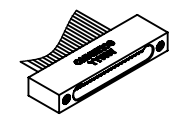
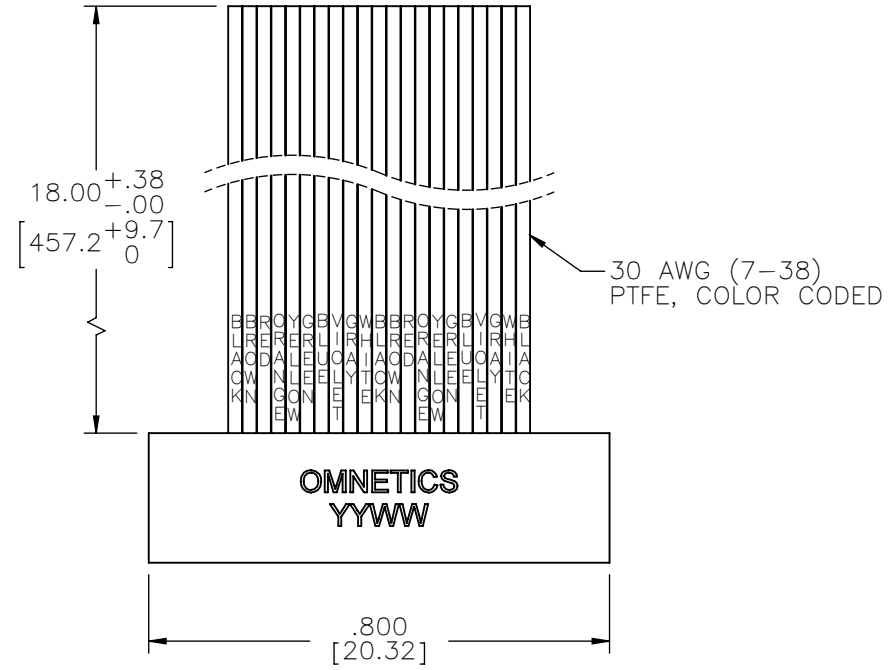
WIRE:  
NEMA HP3 TYPE ET, COLOR  
CODED IAW MIL-STD-681,  
SYSTEM 1, USING TEN SOLID  
REPEATING COLORS

CURRENT RATING:  
1 AMP MAX PER MIL-DTL-32139

CONTACT RESISTANCE:  
71 MILLIOHM MAX (71mV DROP  
MAX) @ 1.0 AMPS PER MIL-  
DTL-32139

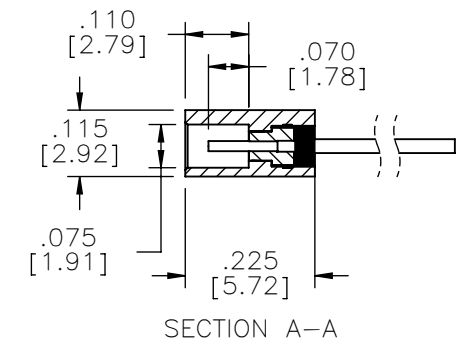
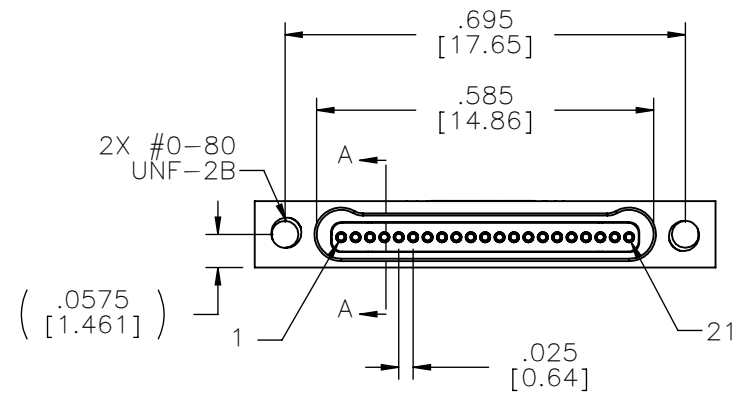
PERFORMANCE:  
PRODUCT FAMILY TESTED TO AND  
PASSED THE PERFORMANCE  
SPECIFICATIONS OF TABLE VIII OF  
MIL-DTL-32139.

PART NO.	A55000-021	REV	ECO	DATE	APP
		F	100683	06-28-14	TLM



ACTUAL SIZE  
EXCLUDING  
WIRE LENGTH

SOCKET #	COLOR
1, 11, 21	BLACK
2, 12	BROWN
3, 13	RED
4, 14	ORANGE
5, 15	YELLOW
6, 16	GREEN
7, 17	BLUE
8, 18	VIOLET
9, 19	GRAY
10, 20	WHITE



NOTE:  
DIMENSIONS IN [ ] ARE IN  
MILLIMETERS UNLESS  
OTHERWISE NOTED AND ARE  
FOR REFERENCE ONLY

MBSS SLDW	THIRD ANGLE	THIS DRAWING CONTAINS CONFIDENTIAL AND PROPRIETARY INFORMATION WHICH IS THE PROPERTY OF OMNETICS CONNECTOR CORP. THIS DOCUMENT MAY NOT, IN WHOLE OR IN PART, BE DUPLICATED, OR DISCLOSED FOR ANY PURPOSE, WITHOUT WRITTEN PERMISSION FROM OMNETICS CONNECTOR CORP.	
	-TOLERANCES-	DATE	TITLE:
	UNLESS OTHERWISE NOTED	08-31-06	(21) SOCKET FEMALE
	DIMENSIONS IN INCHES	DATE	Bi-Lobe® CONNECTOR
2 PL DEC ± .01	DFTM. TEP	DATE	
3 PL DEC ± .005	CHK'D.	DATE	
4 PL DEC ± .0005	APP'D.	DATE	
ANGLES ± 1°			

**OMNETICS**  
CONNECTOR CORPORATION  
7260 COMMERCE CIRCLE EAST  
MINNEAPOLIS, MN 55432  
WWW.OMNETICS.COM

CAGE CODE <b>61873</b>
DWG NO. <b>A55000-021</b>
SHEET 1 OF 1
SCALE: 3:1
REV F