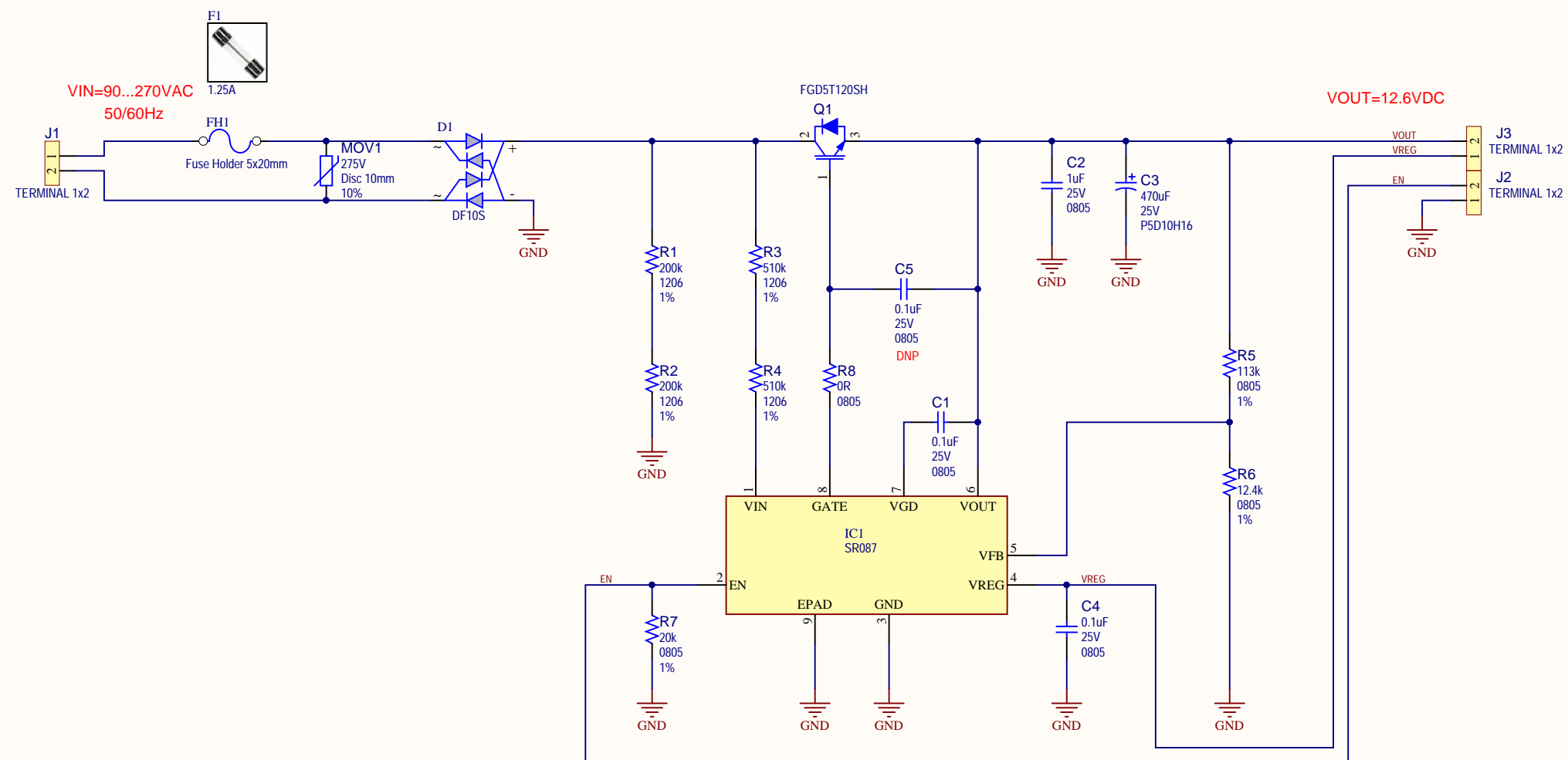


REV	ECO#	DESCRIPTION	DATE



- PAD1 Rubber Pad Cyl D7.9H5.3
- PAD2 Rubber Pad Cyl D7.9H5.3
- PAD3 Rubber Pad Cyl D7.9H5.3
- PAD4 Rubber Pad Cyl D7.9H5.3

LABEL1  
 Need Help?  
<http://support.microchip.com>  
 Assyl Serial #  
 Label Need Help Large

Drawn By: Cristian Papuc	
Engineer: Sergiu Gheorghe	
PartNumber: ADM00947	Project Title <b>SR087 Inductorless Switching PS Demoboard</b>
Sheet Title <b>SR087 Inductorless Switching PS Demoboard</b>	
Size B	Sch #03-10836 Date: 3/13/2018 2:39:57 PM
Revision:1	Sheet 1 of 1
File: Mechanical.SchDoc	
<b>Altium</b> Altium.com	