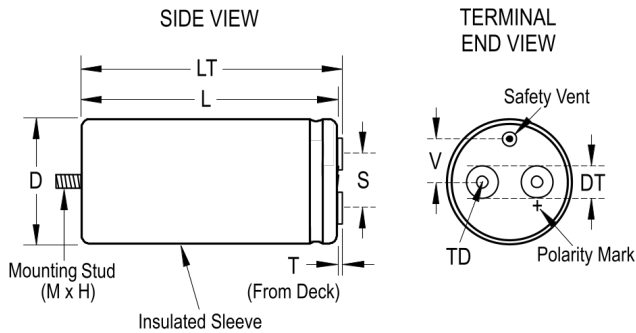


## ALS41M332NP450

Aliases (A441TS332M450M)

Obsolete

ALS41, Aluminum Electrolytic, 3,300 uF, 20%, 450 VDC, -40/+105°C



General Information	
Series	ALS41
Dielectric	Aluminum Electrolytic
Description	Screw Terminal, Aluminum Electrolytic
RoHS	Yes
Mounting	Stud
AEC-Q200	No
Halogen Free	No
Component Weight	960 g
Notes	Dimensions D And L Include Sleeving. Dimension LT Available On Request. MS (MxH) = M12x16.
Shelf Life	156 Weeks

Specifications	
Capacitance	3,300 uF
Capacitance Tolerance	20%
Voltage DC	450 VDC, 495 VDC (Surge)
Temperature Range	-40/+105°C
Rated Temperature	105°C
Life	9000 Hrs (Rated Voltage And Ripple Current At 105C), 15000 Hrs (Rated Voltage At 105C)
Resistance	38 mOhms (100Hz 20C), 27 mOhms (10kHz 20C)
Ripple Current	14.6 Amps (100Hz 105C), 22 Amps (10kHz 105C)
Leakage Current	4455 uA (5min 20°C)

### Dimensions

D	77mm +/-1mm
L	146mm +/-2mm
T	7.14mm +/-0.5mm
S	31.8mm +/-0.5mm
DT	8mm +/-0.5mm
LT	150.5mm +/-1mm
TD	10mm MIN
V	19mm NOM

### Packaging Specifications

Sleeving	Yes
Packaging	Bulk, Box

Statements of suitability for certain applications are based on our knowledge of typical operating conditions for such applications, but are not intended to constitute - and we specifically disclaim - any warranty concerning suitability for a specific customer application or use. This information is intended for use only by customers who have the requisite experience and capability to determine the correct products for their application. Any technical advice inferred from this information or otherwise provided by us with reference to the use of our products is given gratis, and we assume no obligation or liability for the advice given or results obtained.