

C-24FMPO-10LC5M5OM4

5m MPO (Female) to 10xLC (Male) 24-Strand OM4 Duplex OFNR (Riser-Rated) Fiber Fanout Cable

Features

- Multimode 50/125 OM4
- Designed for 10Gig Ethernet applications.
- 10x LC/UPC MM Duplex Connector
- 1x MPO/UPC Female Connector
- Duplex OFNR (Riser-rated)
- Operating Temperature -20°C to 60°C

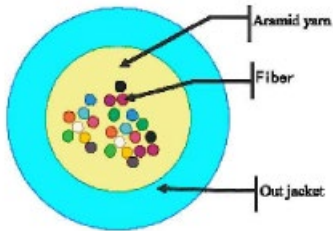
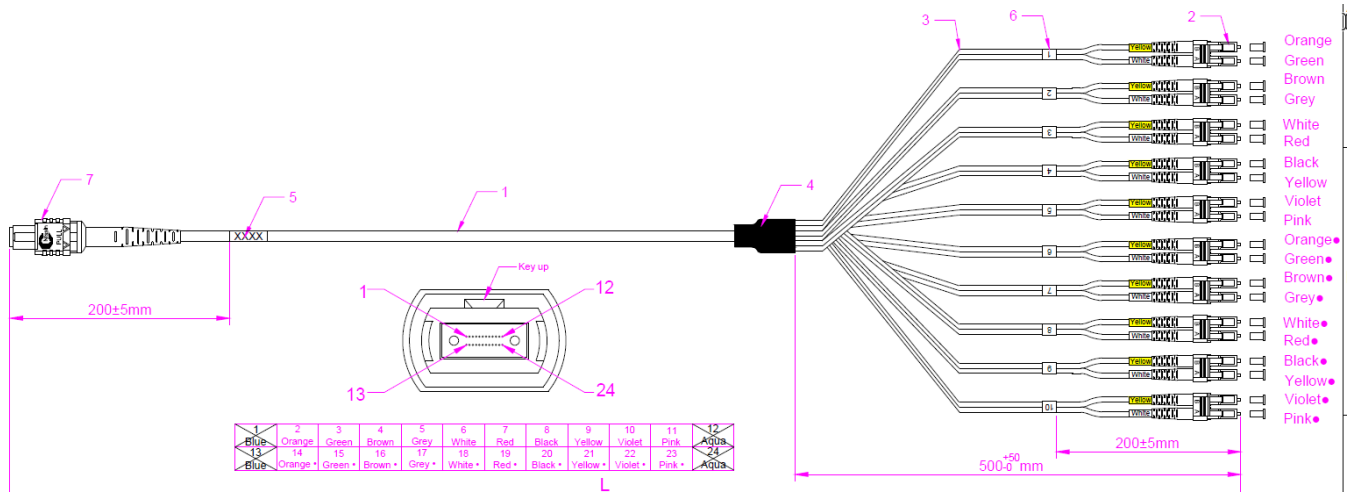
Product Description

This is a 5m MPO (female) to 10xLC Duplex (male) aqua OM4 Multiple riser-rated straight patch straight cable that is used for high speed data transfer. An OM4 cable has a core size of 50m microns that supports 10 Gigabit Ethernet at lengths measuring up to 550 meters, and 100 Gigabit Ethernet measuring up to 150 meters and is reverse compatible with OM3. This riser (OFNR) cable is best suited for use in interior fiber-optic applications. Our patch cables are 100% compliant for all of your networking needs and are guaranteed by federal law to not affect or void OEM warranties.

Cable Specifications

Parameter		Specification
Cable Diameter		3.0mm
Cable Material		PVC
Insertion Loss		MPO ≤ 0.5dB LC ≤ 0.2dB
Return Loss		MPO ≥ 30dB LC ≥ 35dB
Tensile Strength	Long-Term	90 N
	Short-Term	180 N
Attenuation		@850nm ≤ 3.5dB/km
		@1300nm ≤ 3.5dB/km
Operating Temperature		-20°C to +60°C
Storage Temperature		-20°C to +60°C
Crush Resistance	Long-Term	150 N/100mm
	Short-Term	500 N/100mm

Mechanical Specifications



1	Ø3.0mm, multi-mode 50/125 OM4, 24 fibers Single Jacket Micro Cable, PVC, Color: Aqua.
2	LC/UPC MM Duplex 2.0mm Connector (Beige Housing 19mm White Short Boot).
3	OD: 2.0mm, Duplex Color: Aqua, PVC.
4	Fanout Kit.
5	Cable Label.
6	Cable Marker.
7	MPO/UPC(Female) MM 24F 3.0mm Connector(Aqua Housing Black Boot).

About ProLabs

Our experience comes as standard; for over 15 years ProLabs has delivered optical connectivity solutions that give our customers freedom and choice through our ability to provide seamless interoperability. At the heart of our company is the ability to provide state-of-the-art optical transport and connectivity solutions that are compatible with over 90 optical switching and transport platforms.

Complete Portfolio of Network Solutions

ProLabs is focused on innovations in optical transport and connectivity. The combination of our knowledge of optics and networking equipment enables ProLabs to be your single source for optical transport and connectivity solutions from 100Mb to 400G while providing innovative solutions that increase network efficiency. We provide the optical connectivity expertise that is compatible with and enhances your switching and transport equipment.

Trusted Partner

Customer service is our number one value. ProLabs has invested in people, labs and manufacturing capacity to ensure that you get immediate answers to your questions and compatible product when needed. With Engineering and Manufacturing offices in the U.K. and U.S. augmented by field offices throughout the U.S., U.K. and Asia, ProLabs is able to be our customers best advocate 24 hours a day.

Contact Information

ProLabs US

Email: sales@prolabs.com

Telephone: 952-852-0252

ProLabs UK

Email: salessupport@prolabs.com

Telephone: +44 1285 719 600