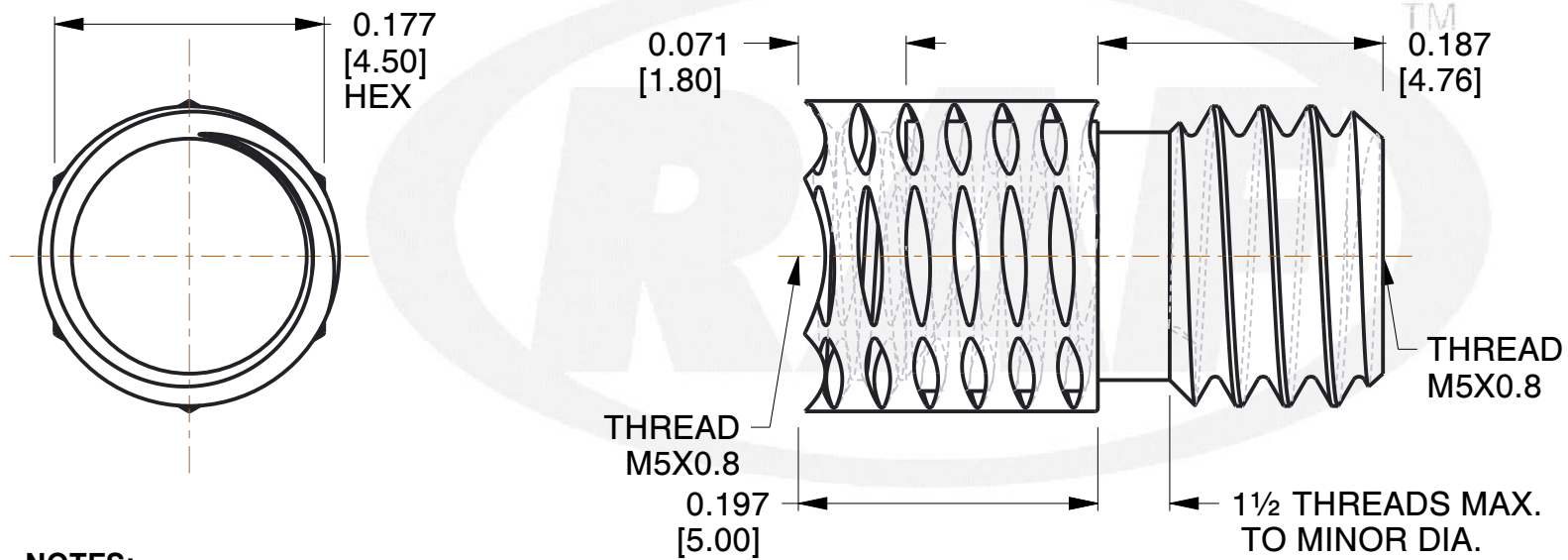
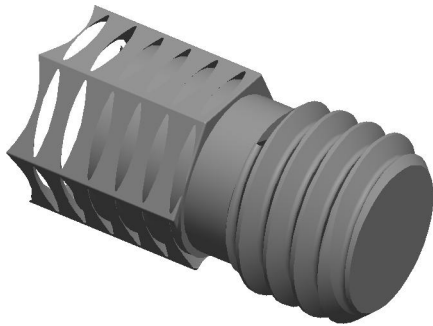



REV	CHANGE	DATE	DRN	CHK
	Drawn	02/08/17	SJ	T



NOTES:

1. Material : Aluminum
2. Finish :
3. ASME Y14.5M - 2009
4. All Drawing Dimensions are in Inches [mm]
5. Unless otherwise specified; Edge Breaks, Radii or Countersinks 0.005-0.015

 <p>95 Silvermine Rd., Seymour CT 06483 Tel: 203-888-2133, Fax: 203-888-9860</p>	<p>This Drawing is the Property of RAF. It contains confidential, proprietary information that is RAF property. Do not disclose to or duplicate for others except as authorized by RAF.</p>	<p>TOLERANCES ALL DIMENSIONS ARE INCHES (UNLESS OTHERWISE SPECIFIED) METALLIC LENGTHS <math>< 6</math> INCHES <math>\pm 0.005</math> LENGTH > 6 INCHES <math>\pm 0.010</math> DIAMETERS: <math>\pm 0.005</math> NON-METALLIC LENGTH: <math>\pm 0.010</math> DIAMETERS: <math>\pm 0.010</math> INTERNAL THREADS: MINIMUM THREAD DEPTH</math></math></math></math></math></p>	COMPONENT	STANDOFFS	
			4.5 MM HEX MALE-FEMALE STANDOFFS		SCALE
					8.00
					SHEET
		1 of 1			