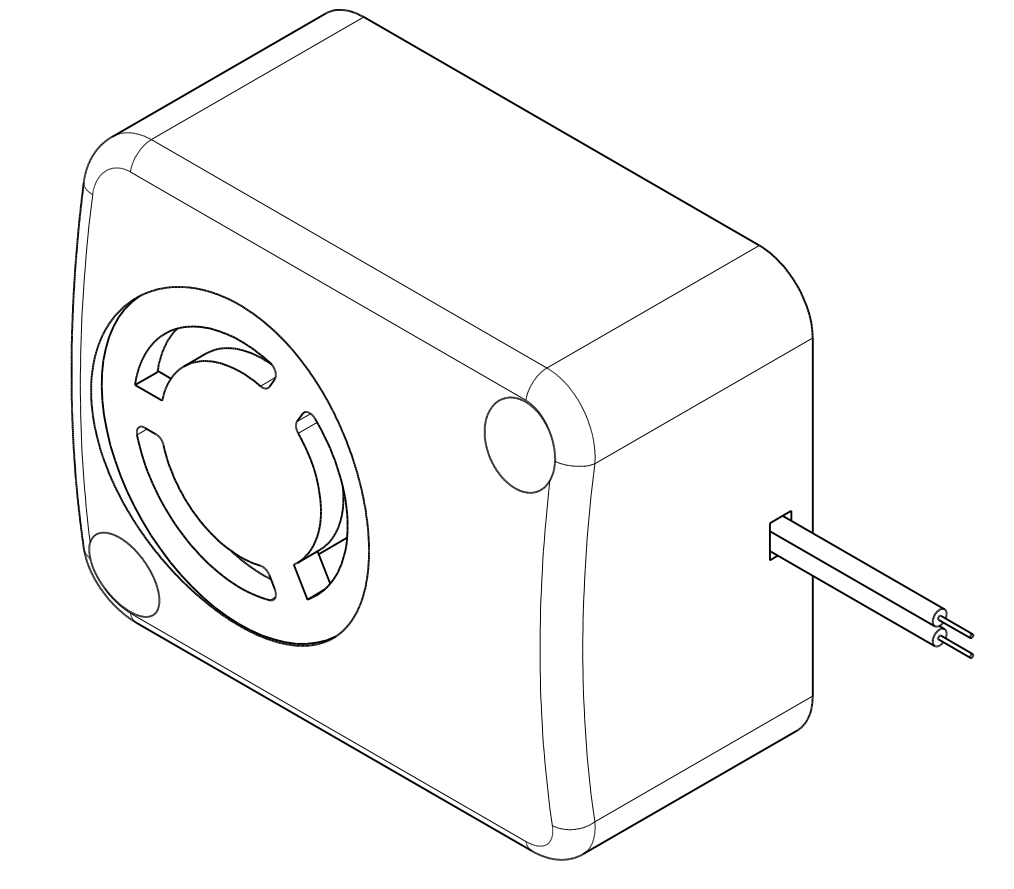
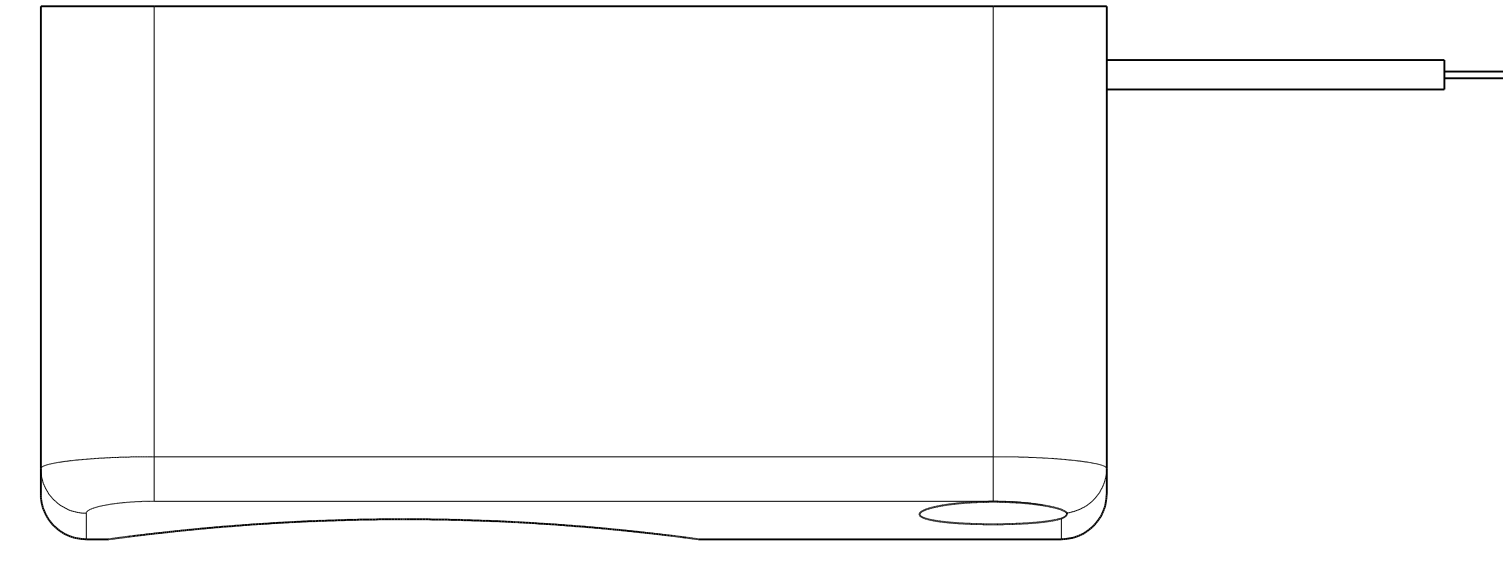
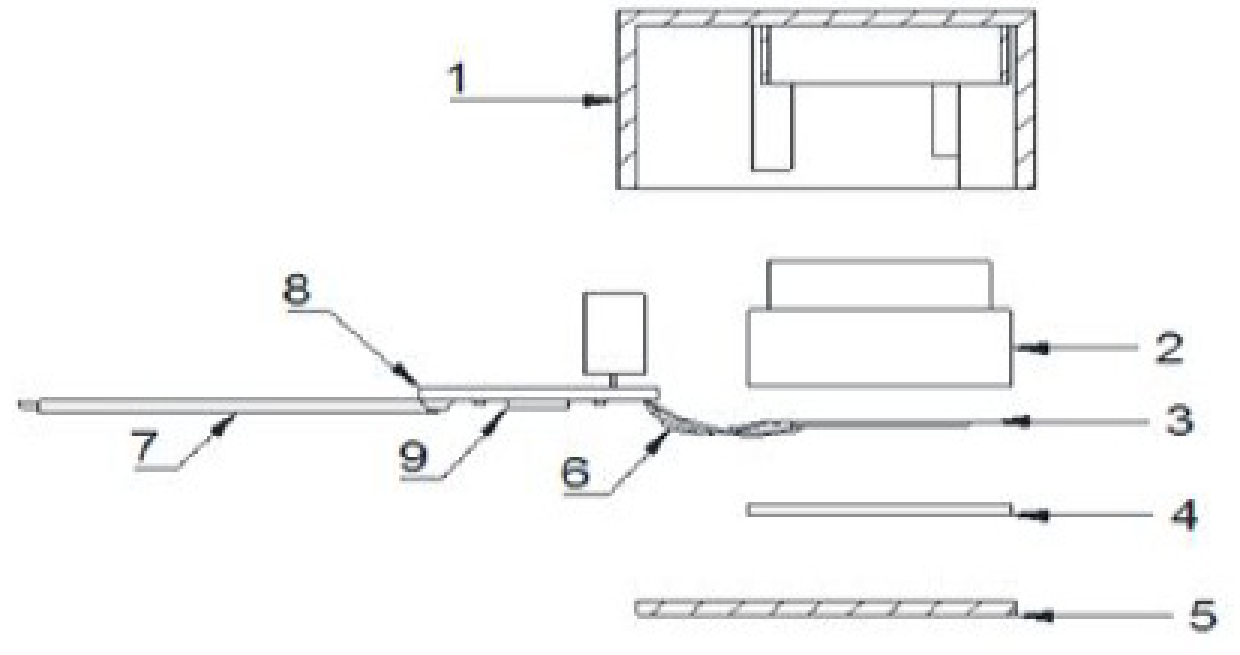
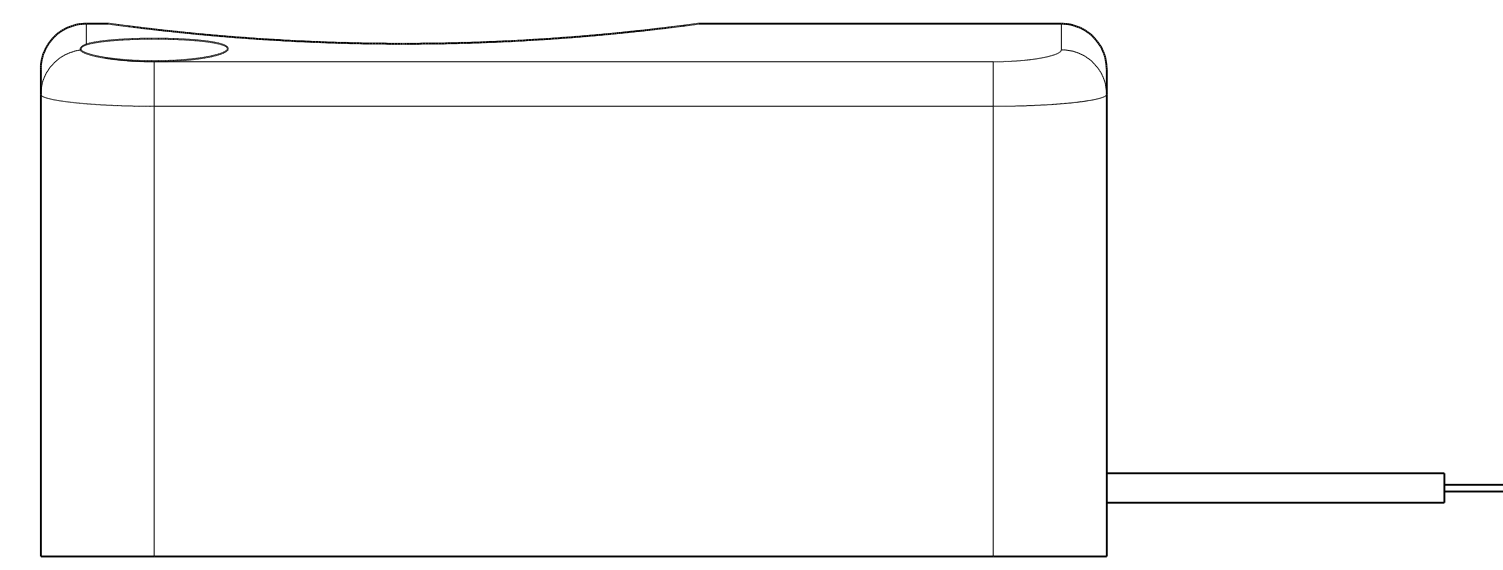
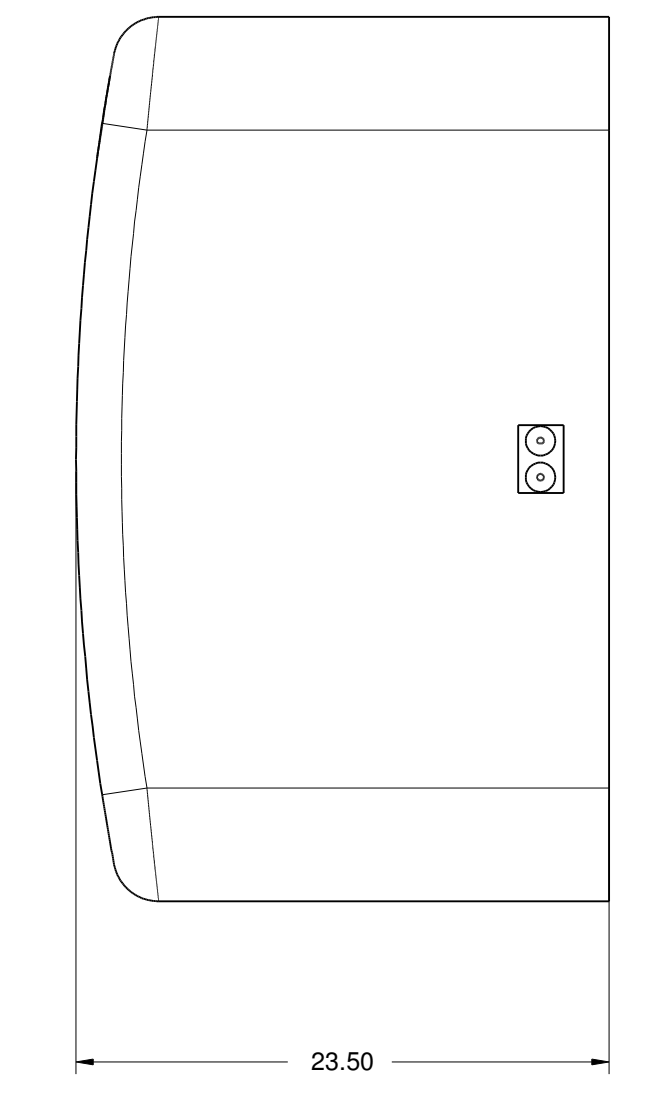
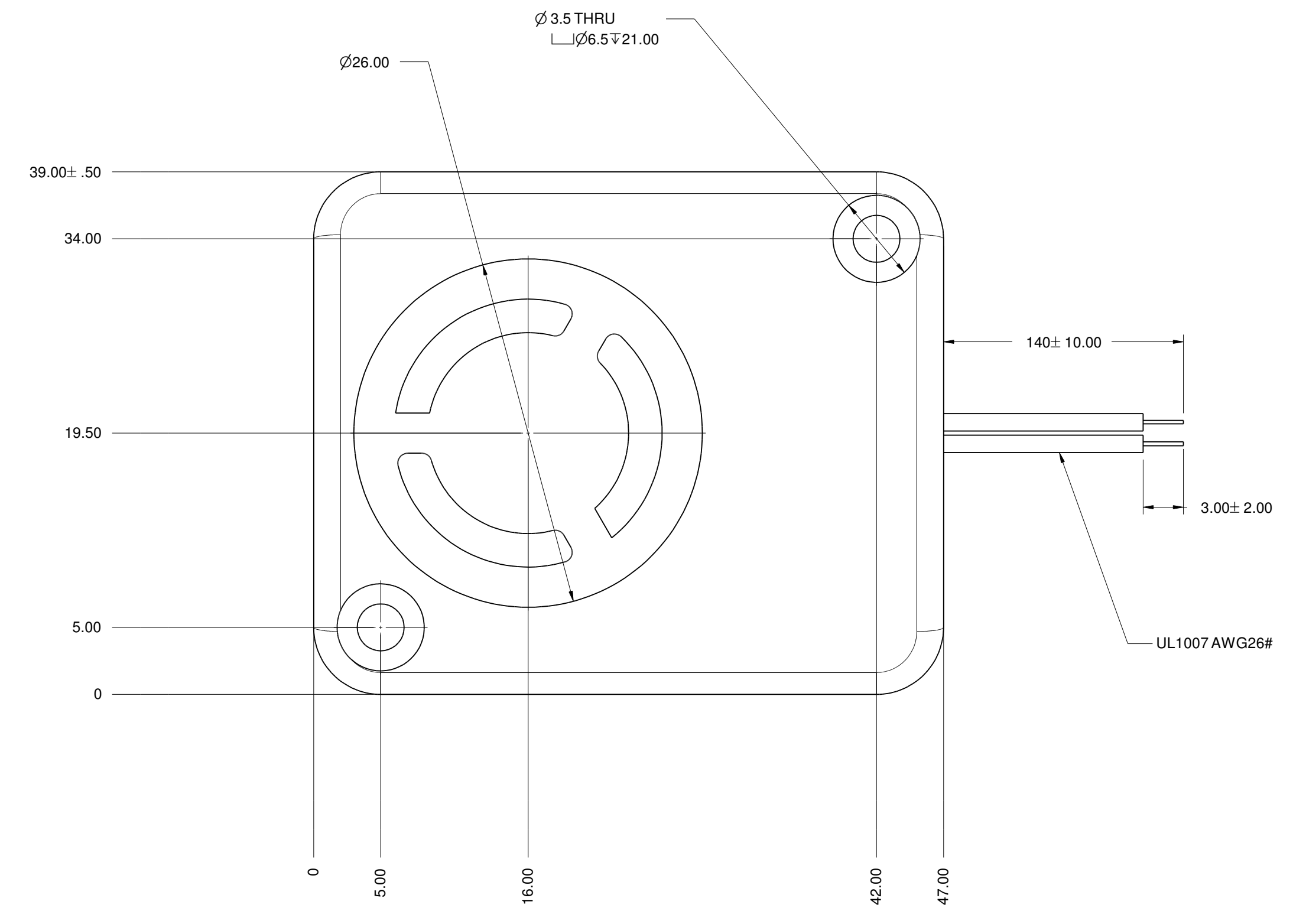


REVISIONS				
ZONE	REV	DESCRIPTION	DATE	APPROVED



No.	Part Name	Material	Quantity
1	Case	ABS	1
2	Case	ABS	1
3	Piezo	Brass + ceramics	1
4	Cover	ABS	1
5	Cover	ABS	1
6	Wire	PVC + copper	1
7	Wire	UL1007/AWG26#	2
8	PCB	Epoxy	2
9	Transistor	Epoxy + copper	1



SIZE	FSCM NO.	DWG NO.	REV
D		PB-4739NL	
SCALE	1:1	SHEET	1 OF 1