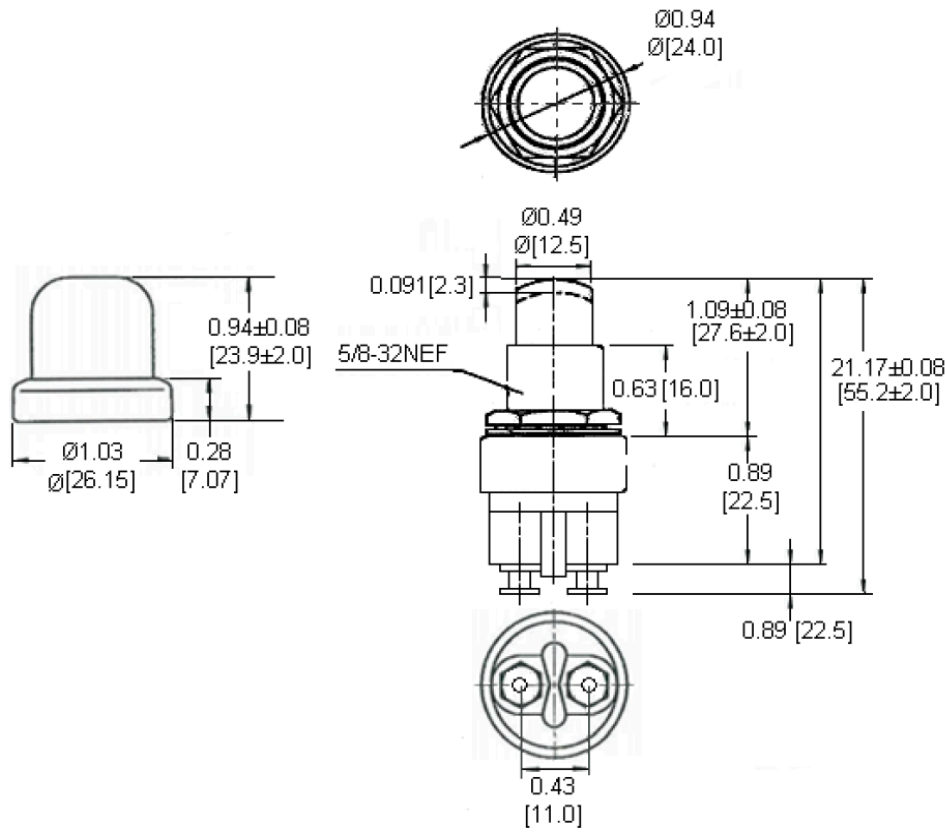
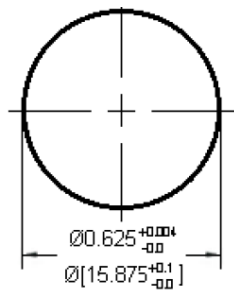


**Mechanical Dimensions: Inches [mm]**

Tolerances  $\pm 0.012$  [0.3] Unless Otherwise Specified



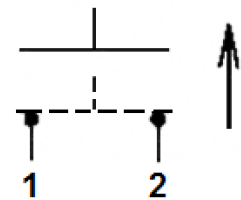
**Mounting Hole**



Thickness: 0.1 [4] max

**Circuit Diagram**

2P SPST OFF-(ON)



**Electrical Specifications**

Rating	60A 12V DC
Contact Resistance	50m ohm Max
Insulation Resistance	DC 500V 100M ohm Min
Dielectric Strength	AC 1500V 1
Operation Temperature	-20°C ~ 85°C

**Material Specifications**

Cover	Rubber boot seal (Black EPDM material)
Frame	Heavy duty die cast construction
Terminals	Copper alloy (Brass)

Rev	Date of issue	Revision Notes	Designed	Approved
A	02-13-2019	Initial Drawing	RC	OH