

50597-8100	バラ状 LOOSE
50597-8000	連鎖状 CHAIN
ENG. NO.	端子形状 FORM

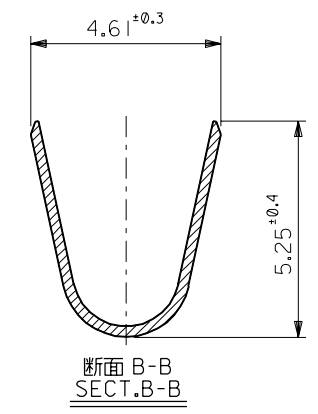
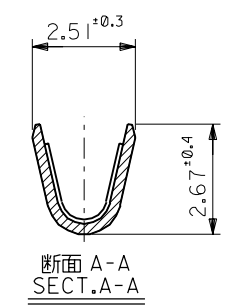
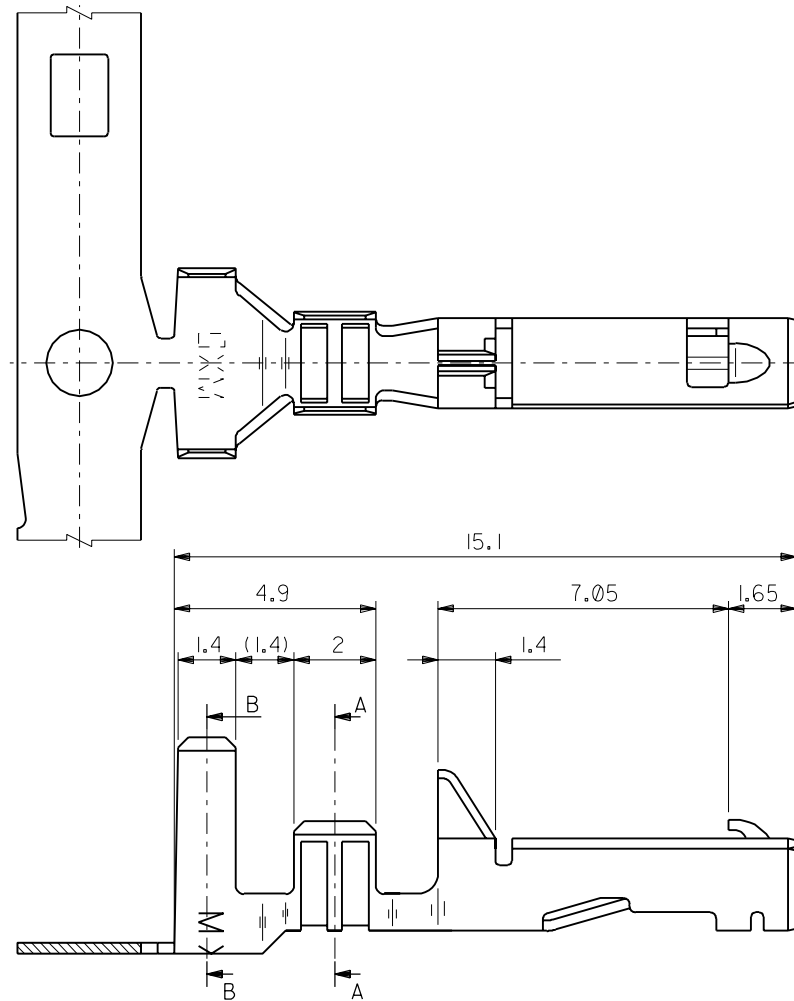
注記
NOTES

- 適合ハウジング : 51142シリーズ
APPLICABLE HOUSING : 51142 SERIES
- 材料 : 銅合金、錫めっき (t=0.25)
MATERIAL : COPPER ALLOY, TIN PLATED (t=0.25)
- 適用電線範囲 : AWG16~22
APPLICABLE WIRE RANGE : AWG16~22
適用被覆外径 : $\phi 2.0 \sim 3.3$
 $\phi 2.5\text{max}$ (リテーナー使用時)
APPLICABLE INSULATOR RANGE : $\phi 2.0 \sim 3.3$
 $\phi 2.5\text{max}$ (WITH RETAINER)

THIS DRAWING CONTAINS INFORMATION THAT IS PROPRIETARY TO MOLEX ELECTRONIC TECHNOLOGIES, LLC AND SHOULD NOT BE USED WITHOUT WRITTEN PERMISSION

REDRAWN AND REVISED	EC NO. : 168832	GENERAL TOLERANCES (UNLESS SPECIFIED)	DIMENSION UNITS	SCALE	molex®			
	DRWN: MOYAMA	ANGULAR TOL $\pm 3.0^\circ$	mm	8:1				
	CHK'D: SAKIYAMA	4 PLACES ± 0.2	DRWN BY	DATE	3.96 W/W & W/B CONN. CRIMP TERMINAL			
	APPR: TKANEKO	3 PLACES ± 0.2	MOYAMA	2017/11/20				
	2 PLACES ± 0.2	CHK'D BY	DATE	PRODUCT CUSTOMER DRAWING				
	1 PLACE ± 0.2	SAKIYAMA	2017/11/30					
	0 PLACES ± 0.2	APPR BY	DATE	SERIES MATERIAL NUMBER CUSTOMER				
	DRAFT WHERE APPLICABLE MUST REMAIN WITHIN DIMENSIONS	TKANEKO	2017/11/30					50597
A	REV	DRAWING SIZE	THIRD ANGLE PROJECTION	DOCUMENT NUMBER DOC TYPE DOC PART SHEET NUMBER				
		A3		505970000-SD PSD 000 1 OF 1				

DWG. NO.
SD-50597-8*00



50597-8100	バラ状 LOOSE
50597-8000	連鎖状 CHAIN
ENG. NO.	端子形状 FORM

注記
NOTES

- 適合ハウジング : 51138 , 51142 シリーズ
APPLICABLE HOUSING : 51138 , 51142 SERIES
 - 材料 : 銅合金, 錫メッキ (t=0.25)
MATERIAL : COPPER ALLOY , TIN PLATED (t=0.25)
- △ リテーナー使用時 : $\phi 2.5$ MAX.
WHEN RETAINER USING : $\phi 2.5$ MAX.

材料 MATERIAL		注記参照 SEE NOTES		材料 MATERIAL		注記参照 SEE NOTES		molex MOLEX-JAPAN CO.,LTD. 日本モレックス株式会社	
仕上げ FINISH		注記参照 SEE NOTES		適用電線範囲 WIRE RANGE		適用電線範囲 WIRE RANGE		REVISE ONLY ON CAD SYSTEM	
被覆外径 INS. RANGE		△ $\phi 2.0-3.3$		DRAWN BY '95/12/15 H.HASEGAWA		CHK'D BY '95/12/15 Y.M.HIRAMOTO		TITLE 名称	
角度 ANGLE		±3°		DR. '95/12/15		日付 DATE		3.96 W/W & W/B CONN. CRIMP TERMINAL	
30 以上 OVER		±0.3		DR. CHK.		DR. CHK.		DWG. NO.	
10 以上 OVER 30 未満 UNDER		±0.25		記号 LTR		変更内容 REVISION RECORD		SD-50597-8*00	
10 未満 UNDER		±0.2		0		新規作成 (JIC60392)		REV	
一般公差 GENERAL TOLERANCES		0		尺度 SCALE		8 : 1		0	