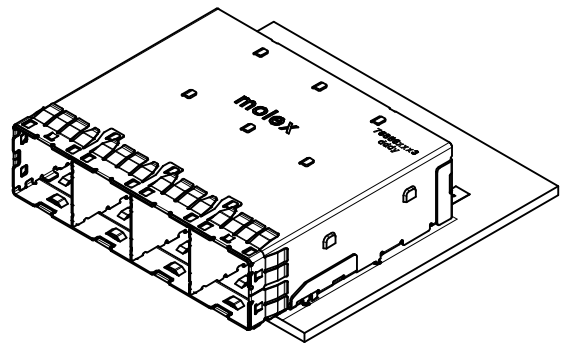


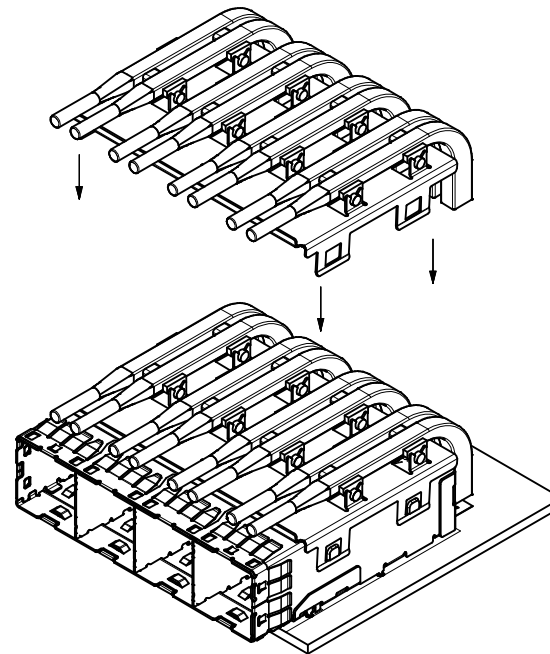
NOTES:

1. MATERIALS:  
LIGHT PIPE: HALOGEN FREE, CLEAR POLYCARBONATE  
COVER: STAINLESS STEEL ALLOY
2. PACKAGING SPECIFICATION: PK-76994-001
3. MATES WITH: 76866-00\*3

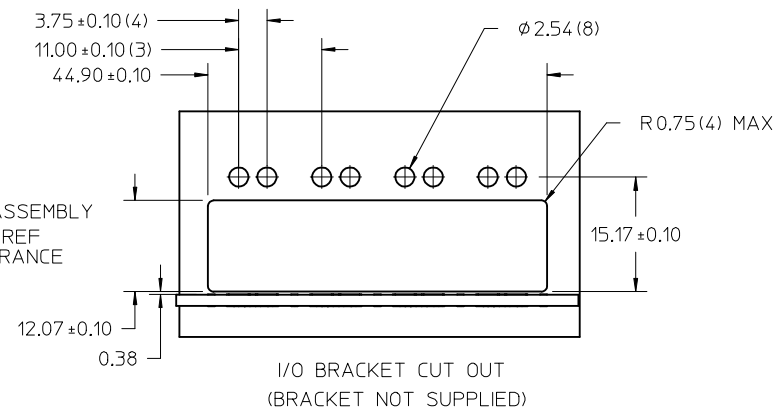
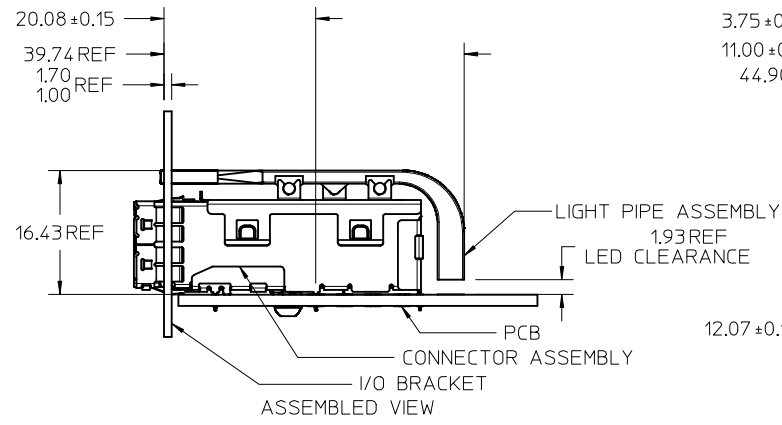
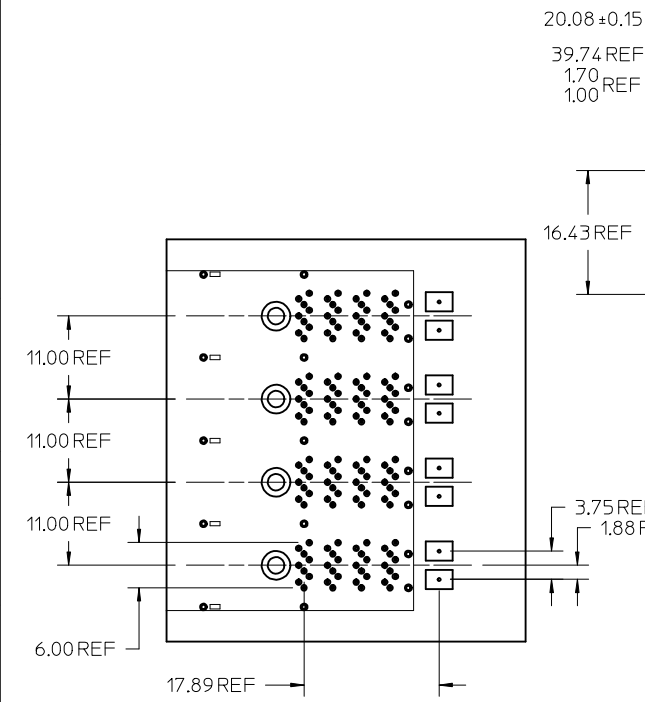
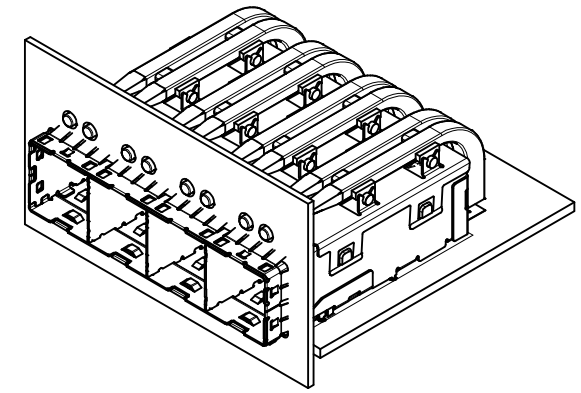
UPDATED MATL SPEC EC NO: UCP2014-1665 IDRW:TMCCLELL 2013/10/15 CHKD:TMCCLELLAND 2013/10/16 APPR:MBANAKIS 2013/10/17	QUALITY SYMBOLS 	GENERAL TOLERANCES (UNLESS SPECIFIED)		DIMENSION STYLE <b>MM ONLY</b>	SCALE <b>4:1</b>	DESIGN UNITS <b>METRIC</b>	THIRD ANGLE PROJECTION	
		4 PLACES ± --- ± ---	3 PLACES ± --- ± ---	DRAWN BY KLANG	DATE 2009/05/04	TITLE <b>IPASS PLUS HD 1X4 PIGHT PIPE &amp; CLIP ASSEMBLY</b>		
		2 PLACES ± 0.13 ± ---	1 PLACE ± 0.25 ± ---	CHECKED BY TMCCLELLAND	DATE 2013/10/16	APPROVED BY <b>molex</b>		
		0 PLACE ± ±	ANGULAR ±1/2°		MATERIAL NO. <b>76994-0004</b>	DOCUMENT NO. <b>SD-76994-004</b>	SHEET NO. <b>1 OF 2</b>	
DRAFT WHERE APPLICABLE MUST REMAIN WITHIN DIMENSIONS		SIZE <b>C</b>		THIS DRAWING CONTAINS INFORMATION THAT IS PROPRIETARY TO MOLEX. INCORPORATED AND SHOULD NOT BE USED WITHOUT WRITTEN PERMISSION				



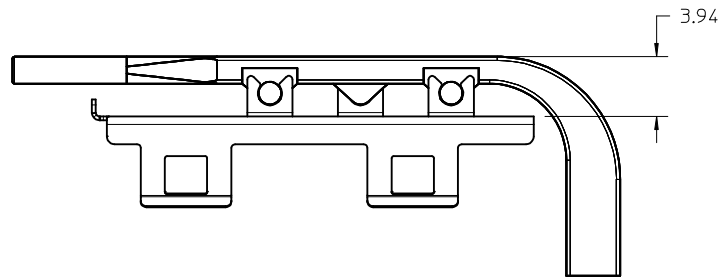
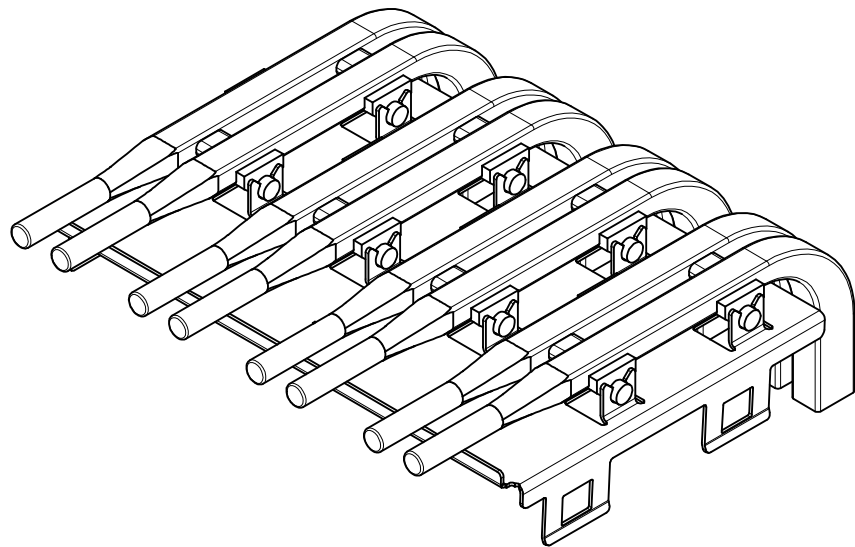
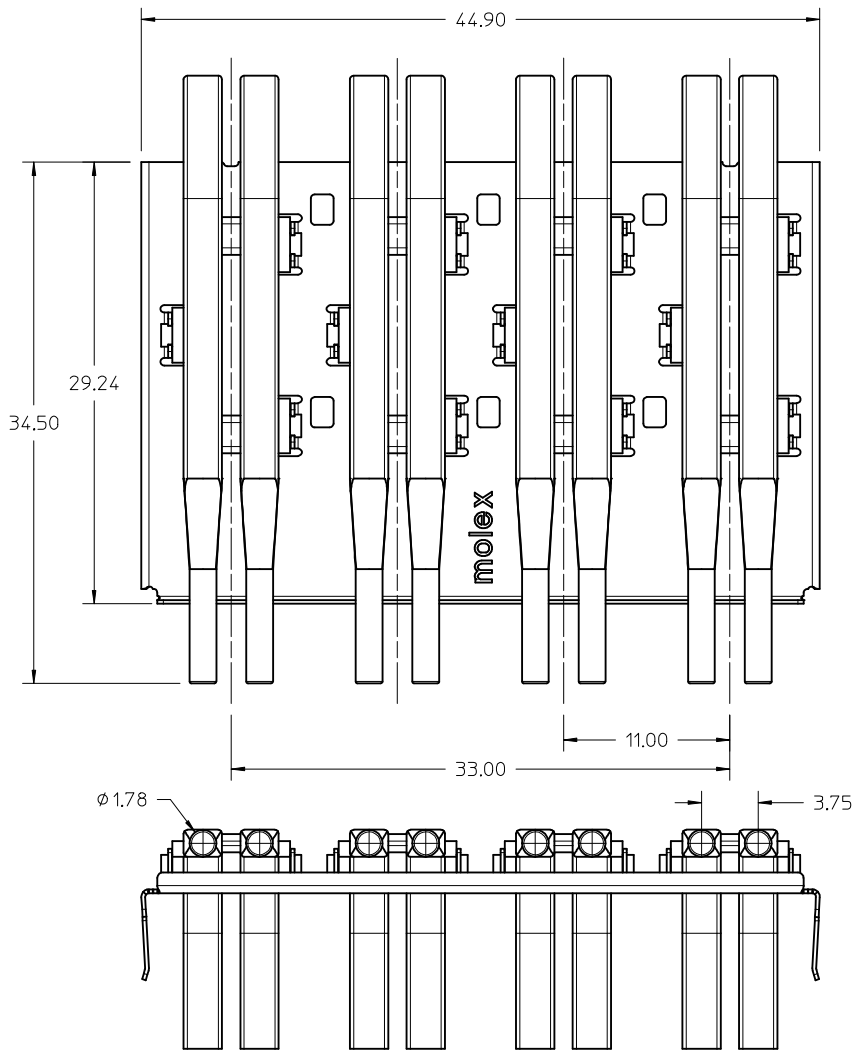
CONNECTOR AS APPLIED TO PCB



LIGHT PIPES AS APPLIED TO CONNECTOR



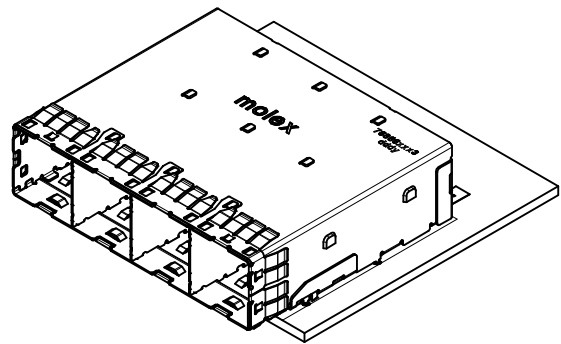
SEE SHEET 1 EC NO: UCP2014-1665 DRAWN: MCLELL 2013/10/15 CHKD: MCLELLAND 2013/10/16 APPR: MBANAKIS 2013/10/17	QUALITY SYMBOLS ∇=0 ∇=0 ∇=0	GENERAL TOLERANCES (UNLESS SPECIFIED) mm INCH 4 PLACES ± --- ± --- 3 PLACES ± --- ± --- 2 PLACES ± 0.13 ± --- 1 PLACE ± 0.25 ± --- ANGULAR ± 1/2°	DIMENSION STYLE MM ONLY DRAWN BY DATE KLANG 2009/05/04 CHECKED BY DATE TMCLELLAND 2013/10/16 APPROVED BY DATE MBANAKIS 2010/01/14	SCALE 2:1 DESIGN UNITS METRIC THIRD ANGLE PROJECTION	TITLE IPASS PLUS HD 1X4 PIGHT PIPE & CLIP ASSEMBLY	MOLEX INCORPORATED DOCUMENT NO. SD-76994-004	SHEET NO. 2 OF 2	
	DRAFT WHERE APPLICABLE MUST REMAIN WITHIN DIMENSIONS		SEE SHEET 1	THIS DRAWING CONTAINS INFORMATION THAT IS PROPRIETARY TO MOLEX INCORPORATED AND SHOULD NOT BE USED WITHOUT WRITTEN PERMISSION				
	B3	REV						
	Molex logo and text: MOLEX INCORPORATED							



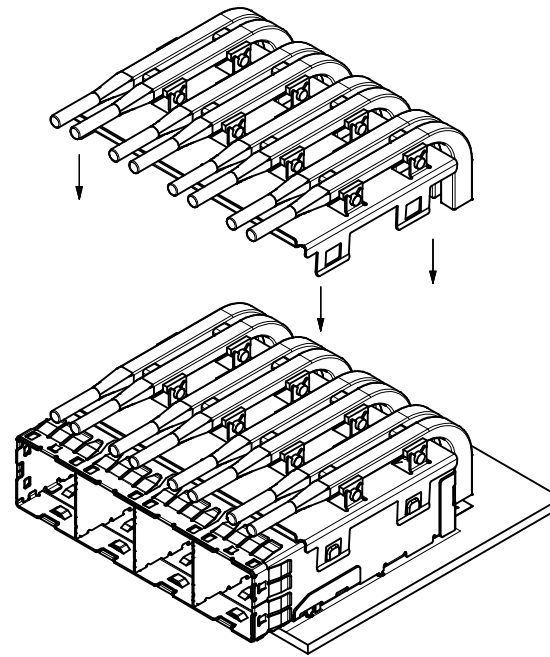
NOTES:

- MATERIALS:  
LIGHT PIPE: HALOGEN FREE, CLEAR POLYCARBONATE  
COVER: STAINLESS STEEL ALLOY
- PACKAGING SPECIFICATION: PK-76994-001
- MATES WITH: 76866-00\*3

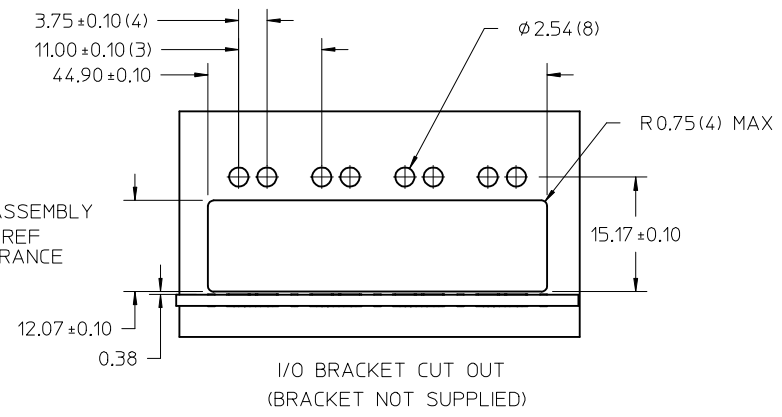
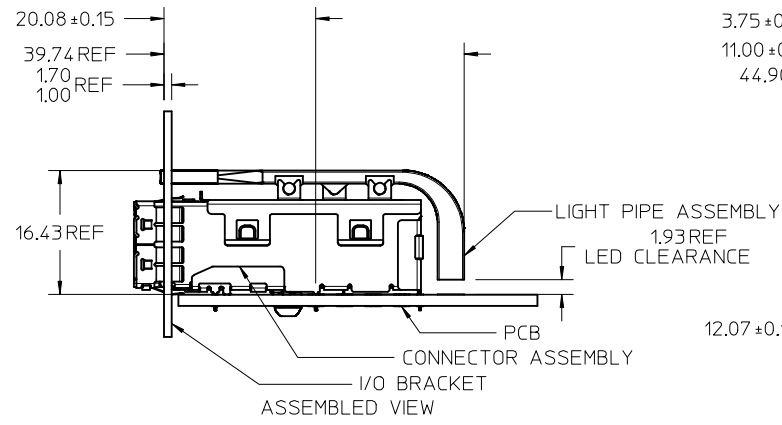
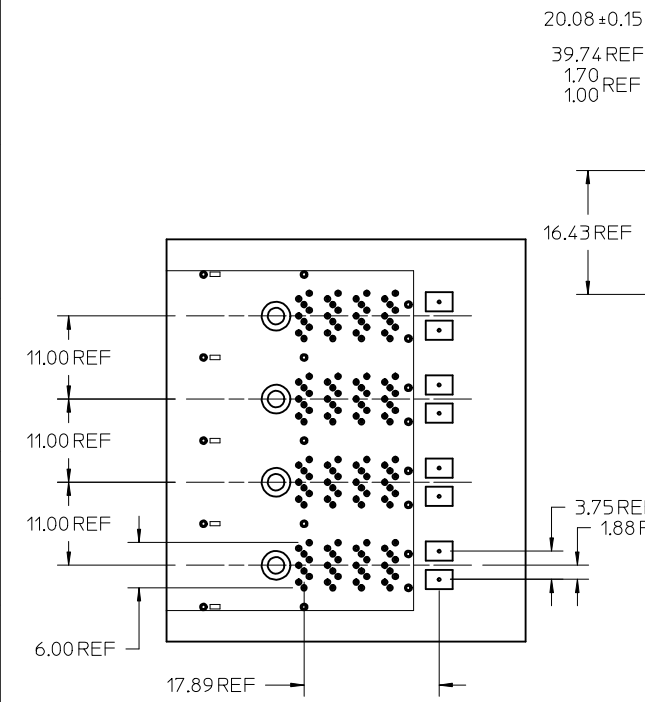
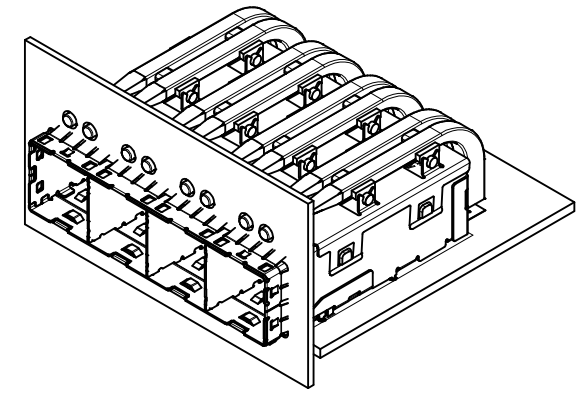
UPDATED MATL SPEC EC NO: UCP2014-1665 IDRW:TMCCLELL 2013/10/15 CHKD:TMCCLELLAND 2013/10/16 APPR:MBANAKIS 2013/10/17	QUALITY SYMBOLS	GENERAL TOLERANCES (UNLESS SPECIFIED)	DIMENSION STYLE	SCALE	DESIGN UNITS	THIRD ANGLE PROJECTION	
	▽=0	mm INCH	MM ONLY	4:1	METRIC		
	▽=0			DRAWN BY DATE	TITLE		
	▽=0			KLANG 2009/05/04	IPASS PLUS HD 1X4 PIGHT PIPE & CLIP ASSEMBLY		
REV	DESCRIPTION		CHECKED BY DATE				
B3			TMCCLELLAND 2013/10/16				
			APPROVED BY DATE				
			MBANAKIS 2010/01/14				
			MATERIAL NO.	DOCUMENT NO.			
			76994-0004	SD-76994-004			
			ANGULAR ±1/2°				
			DRAFT WHERE APPLICABLE MUST REMAIN WITHIN DIMENSIONS				
			SIZE C				
			THIS DRAWING CONTAINS INFORMATION THAT IS PROPRIETARY TO MOLEX. INCORPORATED AND SHOULD NOT BE USED WITHOUT WRITTEN PERMISSION				
						SHEET NO. 1 OF 2	



CONNECTOR AS APPLIED TO PCB



LIGHT PIPES AS APPLIED TO CONNECTOR



SEE SHEET 1 EC NO: UCP2014-1665 DRAWN: MCLELL 2013/10/15 CHKD: MCLELLAND 2013/10/16 APPR: MBANAKIS 2013/10/17	QUALITY SYMBOLS	GENERAL TOLERANCES (UNLESS SPECIFIED)	DIMENSION STYLE	SCALE	DESIGN UNITS	THIRD ANGLE PROJECTION
	▽=0	mm INCH	MM ONLY	2:1	METRIC	
	▽=0	4 PLACES ± --- ± ---	DRAWN BY DATE	TITLE		
	▽=0	3 PLACES ± --- ± ---	KLANG 2009/05/04	IPASS PLUS HD		
	2 PLACES ± 0.13 ± ---	CHECKED BY DATE	1X4 PIGHT PIPE & CLIP			
	1 PLACE ± 0.25 ± ---	TMCCLELLAND 2013/10/16	ASSEMBLY			
	ANGULAR ± 1/2°	APPROVED BY DATE	MOLEX INCORPORATED			
		MBANAKIS 2010/01/14	SD-76994-004			
		MATERIAL NO.	DOCUMENT NO.			
			SHEET NO.			
			2 OF 2			
			THIS DRAWING CONTAINS INFORMATION THAT IS PROPRIETARY TO MOLEX INCORPORATED AND SHOULD NOT BE USED WITHOUT WRITTEN PERMISSION			