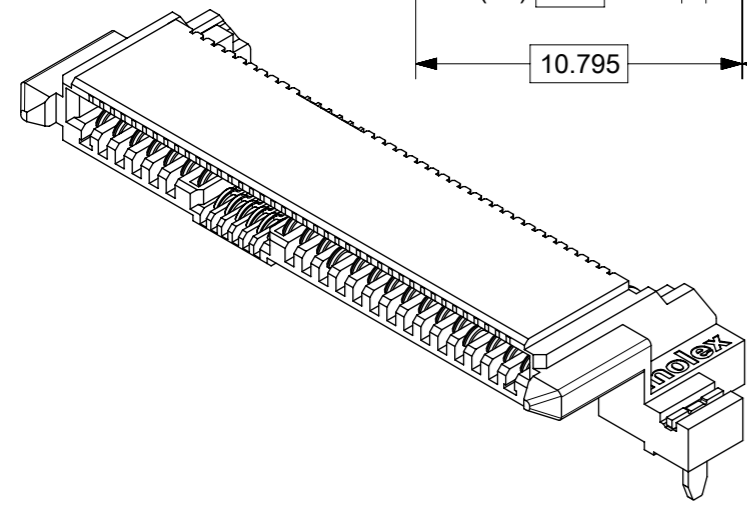
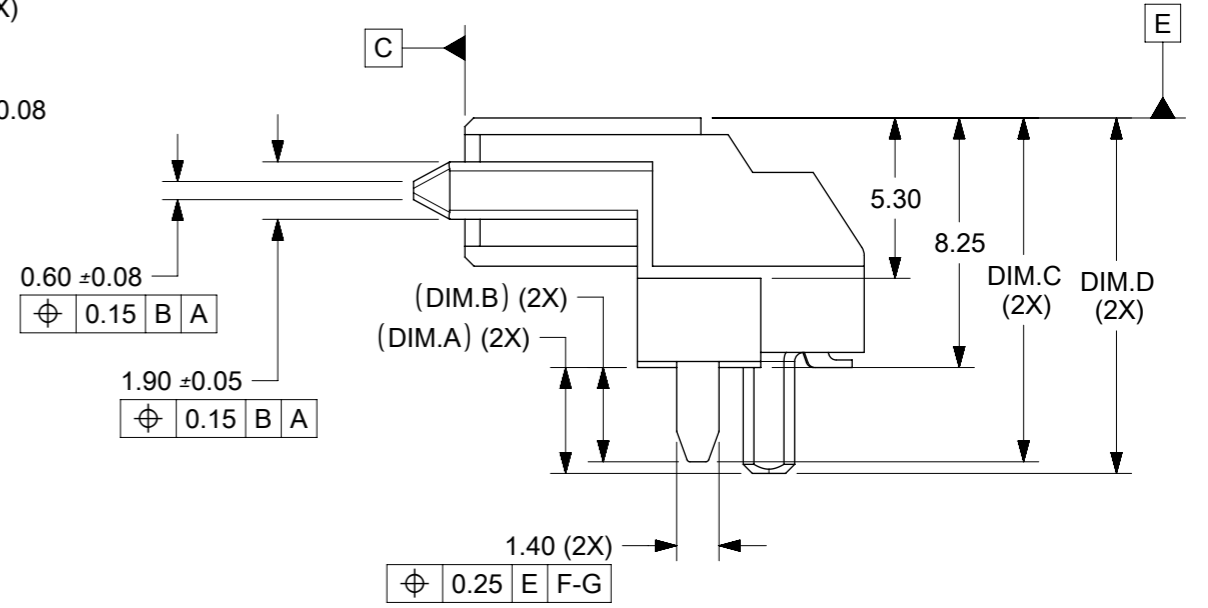
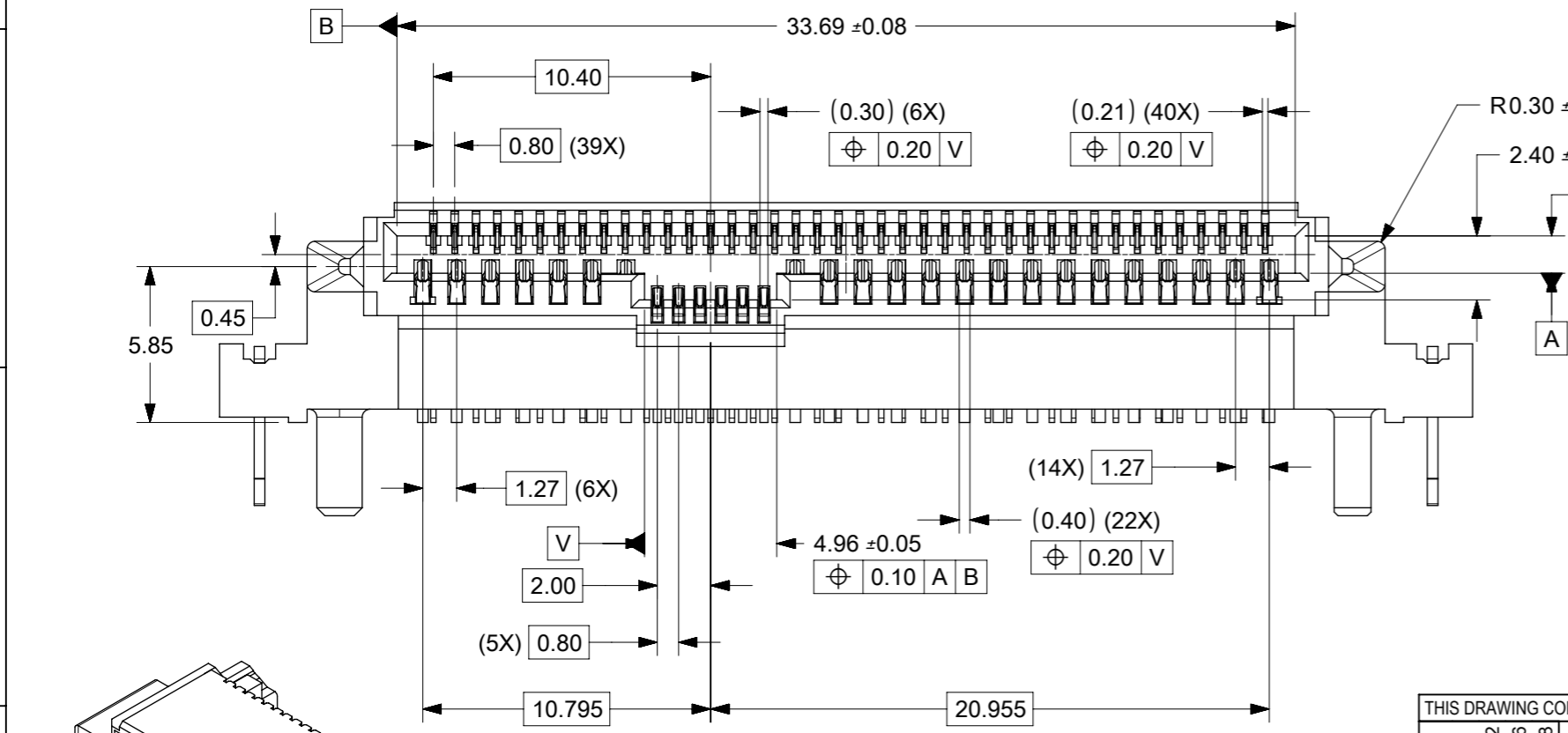


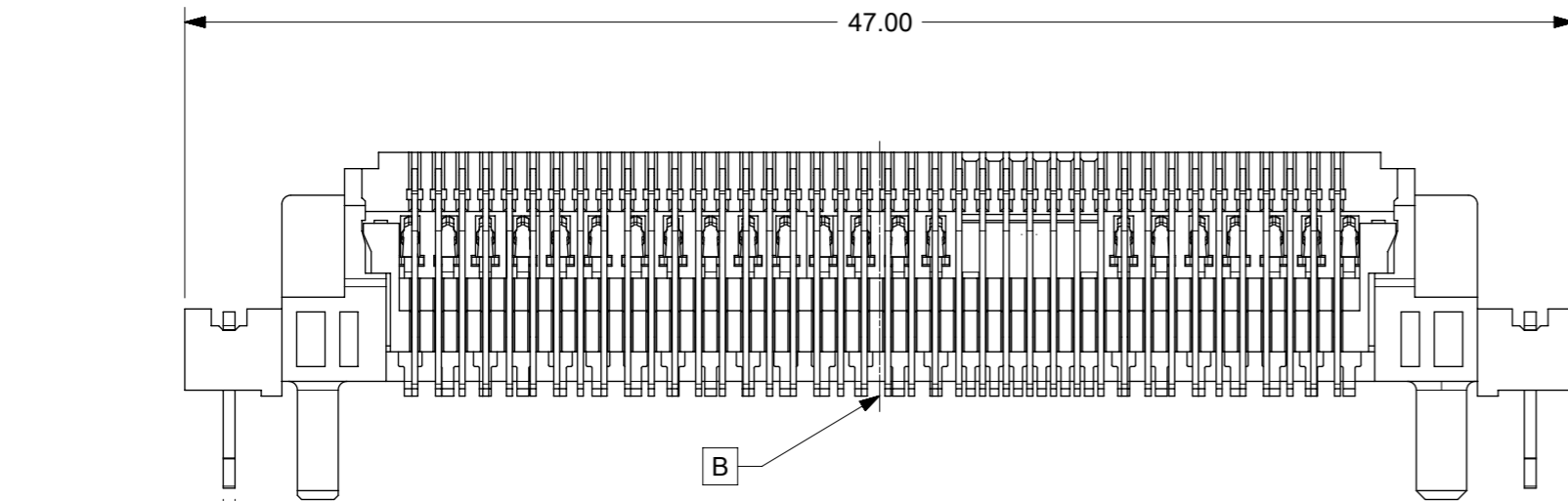
- NOTES:
- MATERIAL:
HOUSING: LCP, GLASS FILLED, UL 94V-0, BLACK
TERMINAL: COPPER ALLOY
BLADE: COPPER ALLOY
 - PLATING:
TERMINAL:
CONTACT: 0.76µm MIN. GOLD OVER 1.27µm MIN.
NICKEL UNDERPLATE
SOLDERTAIL: 2.54µm MIN. TIN OVER 1.27µm MIN. NICKEL UNDERPLATE
BLADE: 2.54µm MIN. TIN OVER 1.27µm MIN. NICKEL UNDERPLATE
 - MOLEX LOGO LOCATED APPROXIMATELY AS SHOWN.
 - NON FUNCTIONAL CORE HOLE MAY VARY.
 - THIS PRODUCT IS COMPLIANT TO RoHS DIRECTIVE WITH THE FOLLOWING BANNED SUBSTANCES - LEAD, MERCURY, CADMIUM, HEXAVALENT CHROMIUM, POLYBROMINATED BIPHENYLS AND POLY BROMINATED DIPHENYL ETHERS.
 - PRODUCT SPECIFICATION PS-78844-001.
 - PRODUCT PACKAGING SPECIFICATION PK-78844-001.
 - MATES WITH SFF-8639 PLUG, SFF-8482 PLUG AND SFF-8680 PLUG.
 - COMPONENT CAVITY NUMBER (NUMERIC VALUE)
 - CONNECTOR COMES WITH A CAP TO BE REMOVED AFTER SOLDERING.
SEE SHEET 3 FOR THE OVERALL OUTLINE OF THE CONNECTOR WITH ITS CAP



MATERIAL NO.	DIM.A	DIM.B	DIM.C	DIM.D
78844-0001	3.50	3.12	11.37	11.75
78844-0002	2.00	2.00	10.25	10.25

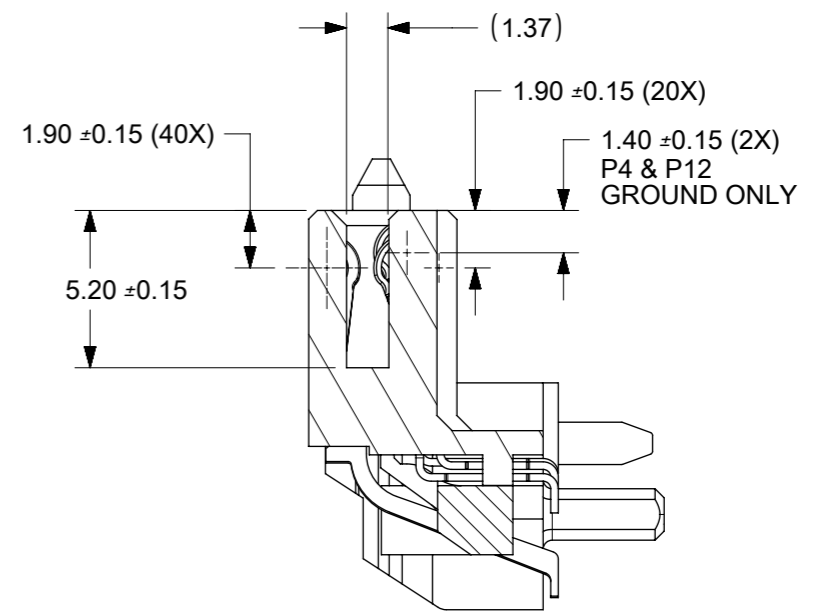
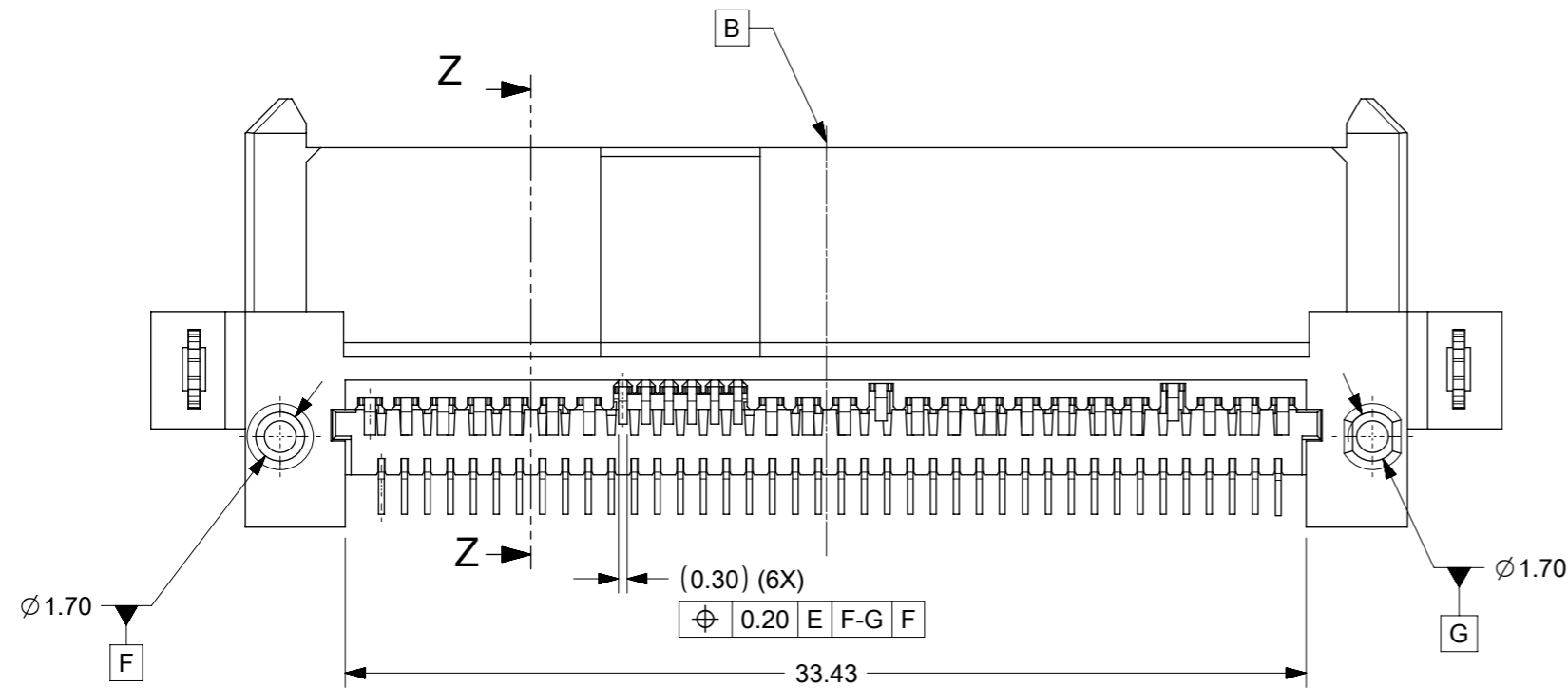
THIS DRAWING CONTAINS INFORMATION THAT IS PROPRIETARY TO MOLEX ELECTRONIC TECHNOLOGIES, LLC AND SHOULD NOT BE USED WITHOUT WRITTEN PERMISSION

ADD PART NO. EC NO: 110543 DRWN: WZHAO21 CHK'D: WZHAO21 APPR: SHLENI	2016/09/22 2016/11/16 2016/11/28	GENERAL TOLERANCES (UNLESS SPECIFIED) ANGULAR TOL ± 3.0 ° 4 PLACES ± 3 PLACES ± 2 PLACES ± 0.2 1 PLACE ± 0 PLACES ±	DIMENSION UNITS: MM SCALE: NTS DRWN BY: WJYAP DATE: 2013/03/28 CHK'D BY: CCTEH DATE: 2014/01/08 APPR BY: SHLENI DATE: 2014/01/16		
	PRODUCT CUSTOMER DRAWING		SAS/PCIE RECEPTACLE SMT 5.85MM HEIGHT		
	DRAFT WHERE APPLICABLE MUST REMAIN WITHIN DIMENSIONS		DRAWING SIZE: A3 THIRD ANGLE PROJECTION	SERIES: 78844 MATERIAL NUMBER: SEE TABLE CUSTOMER: GENERAL MARKET	
	RELEASE STATUS: A2		DOCUMENT NUMBER: SD-78844-001 DOC TYPE: PSD DOC PART: 000 SHEET NUMBER: 1 OF 4		



0.40 (2X)

⊕ 0.25	E	F-G	F
--------	---	-----	---



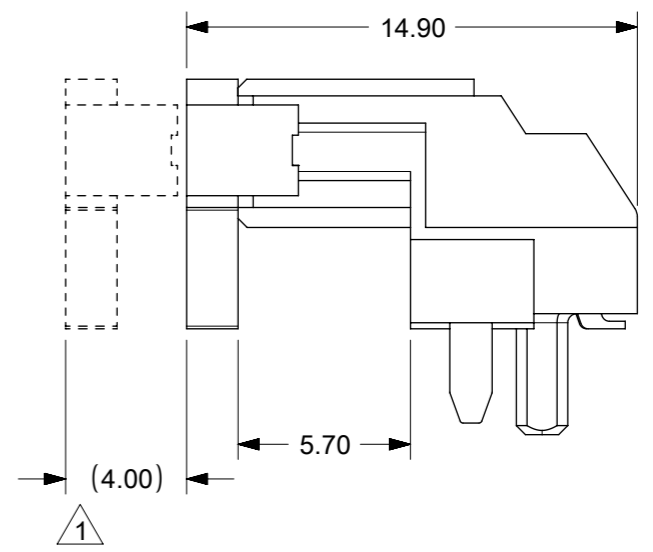
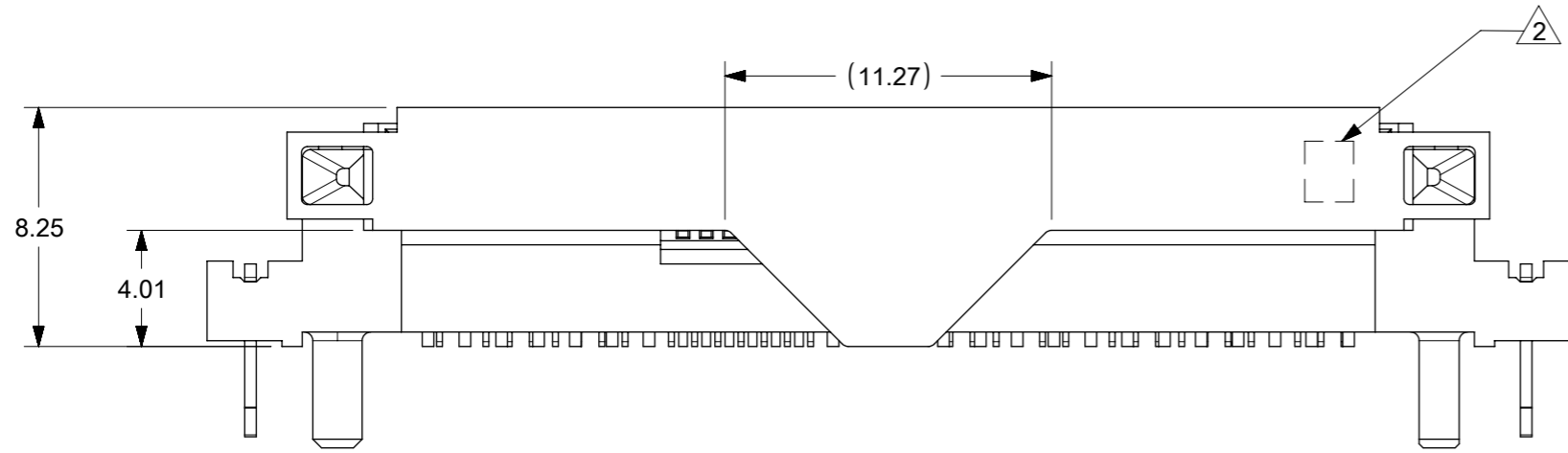
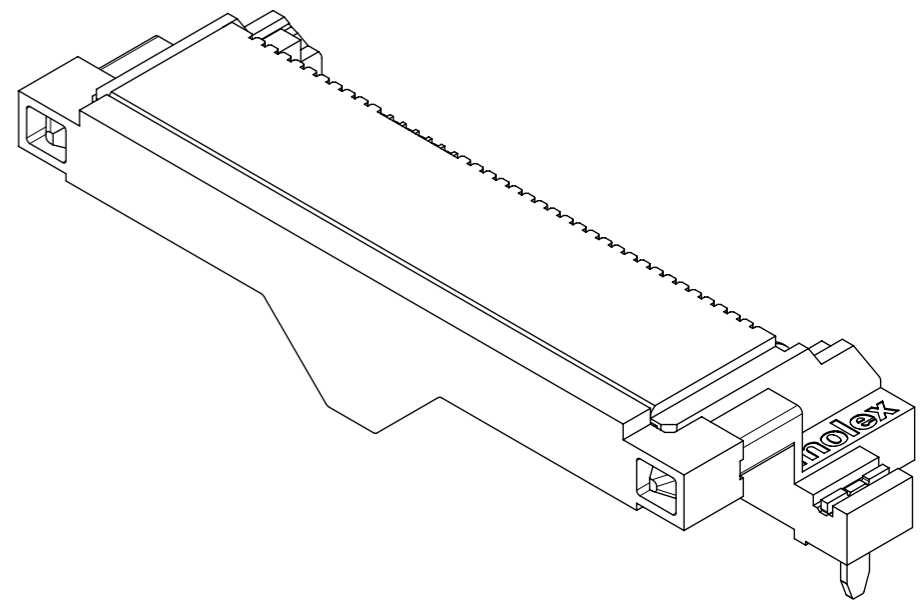
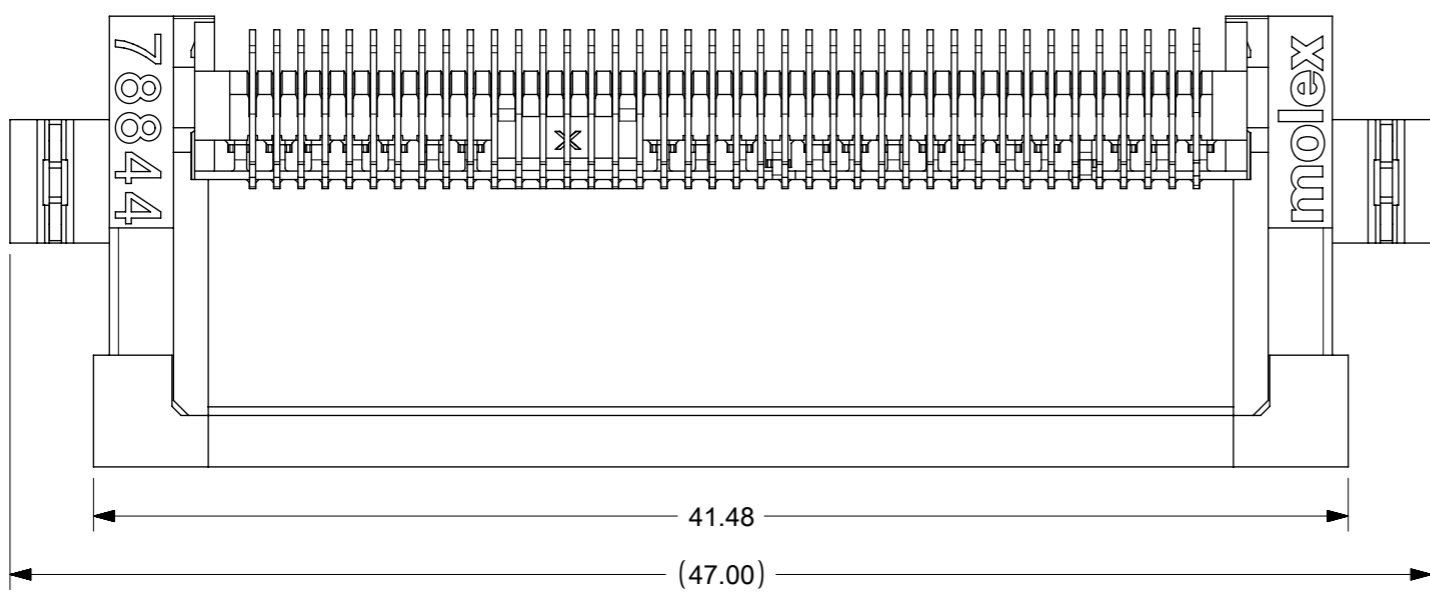
SECTION Z-Z

THIS DRAWING CONTAINS INFORMATION THAT IS PROPRIETARY TO MOLEX ELECTRONIC TECHNOLOGIES, LLC AND SHOULD NOT BE USED WITHOUT WRITTEN PERMISSION

ADD PART NO. EC NO: 110543 DRWN: WZHAO21 CHK'D: WZHAO21 APPR: SHLENI	2016/09/22	GENERAL TOLERANCES (UNLESS SPECIFIED) ANGULAR TOL ± 3.0 ° 4 PLACES ± 3 PLACES ± 2 PLACES ± 0.2 1 PLACE ± 0 PLACES ± DRAFT WHERE APPLICABLE MUST REMAIN WITHIN DIMENSIONS	DIMENSION UNITS	SCALE				
	2016/11/16		MM	NTS				
	2016/11/28		DRWN BY	DATE	SAS/PCIE RECEPTACLE SMT 5.85MM HEIGHT			
			WJYAP	2013/03/28				
			CHK'D BY	DATE	PRODUCT CUSTOMER DRAWING			
	CCTEH	2014/01/08						
	APPR BY	DATE	DRAWING SIZE	THIRD ANGLE PROJECTION	SERIES	MATERIAL NUMBER	CUSTOMER	
	SHLENI	2014/01/16	A3		78844	SEE TABLE	GENERAL MARKET	
					DOCUMENT NUMBER	DOC TYPE	DOC PART	SHEET NUMBER
					SD-78844-001	PSD	000	2 OF 4

RELEASE STATUS	RELEASE DATE
----------------	--------------

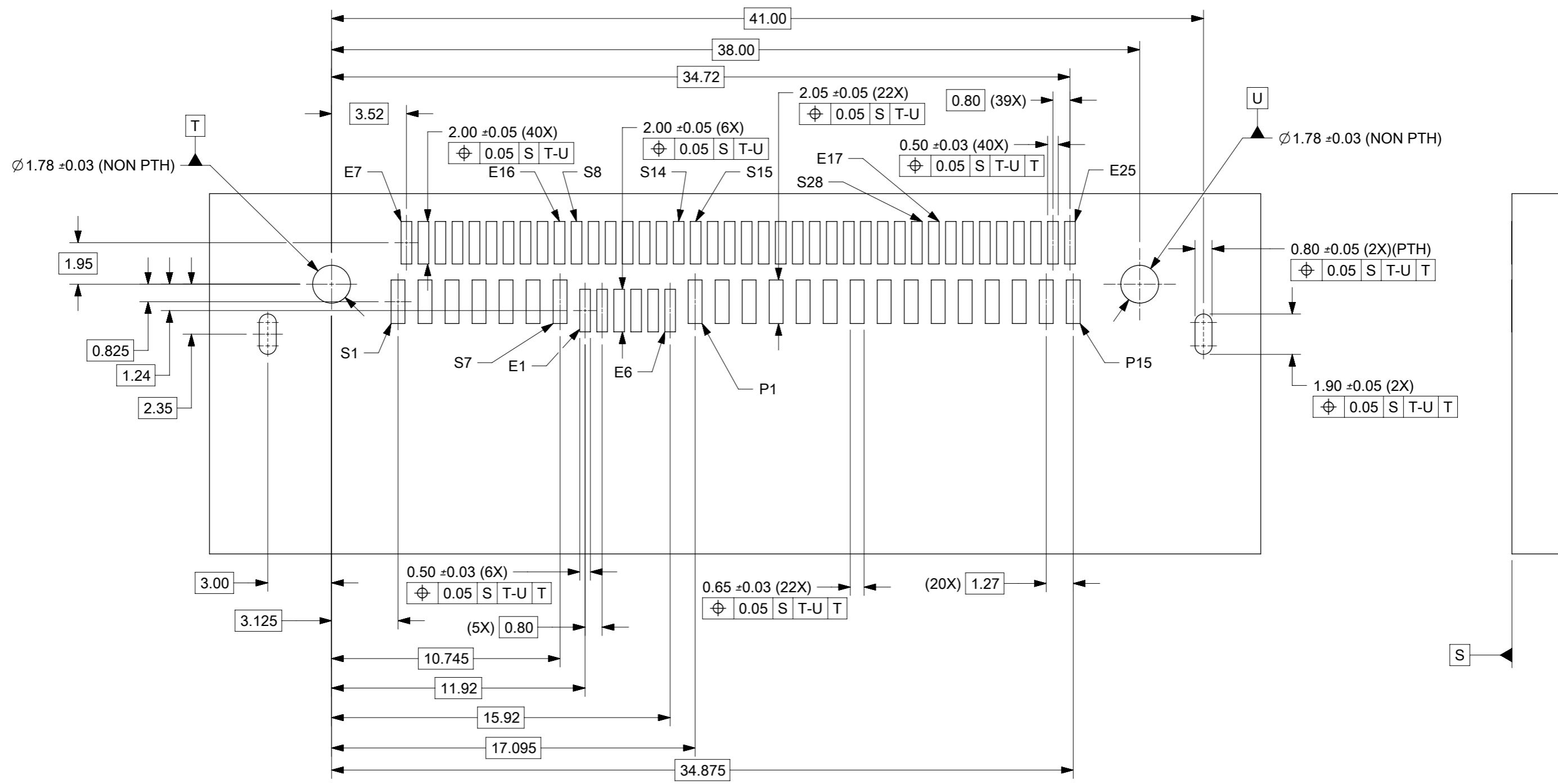
CONNECTOR OUTLINE WITH CAP



NOTES:
 1. ALLOW A GAP OF 4.00MM IN FRONT OF THE CONNECTOR FOR CAP REMOVAL
 2. CAP CAVITY NUMBER (NUMERIC VALUE)

THIS DRAWING CONTAINS INFORMATION THAT IS PROPRIETARY TO MOLEX ELECTRONIC TECHNOLOGIES, LLC AND SHOULD NOT BE USED WITHOUT WRITTEN PERMISSION

ADD PART NO. EC NO: 110543 DRWN: WZHAO21 CHK'D: WZHAO21 REV APPR: SHLENI	2016/09/22	2016/11/16	2016/11/28	GENERAL TOLERANCES (UNLESS SPECIFIED) ANGULAR TOL ± 3.0 ° 4 PLACES ± 3 PLACES ± 2 PLACES ± 0.2 1 PLACE ± 0 PLACES ± DRAFT WHERE APPLICABLE MUST REMAIN WITHIN DIMENSIONS	DIMENSION UNITS	SCALE			
	MM		NTS		DRWN BY	DATE			
	WJYAP		2013/03/28		CHK'D BY	DATE			
	CCTEH		2014/01/08		APPR BY	DATE			
	SHLENI		2014/01/16		DRAWING SIZE	THIRD ANGLE PROJECTION			
A2	REV			A3			PRODUCT CUSTOMER DRAWING		
RELEASE STATUS		RELEASE DATE		78844		SEE TABLE		GENERAL MARKET	
				SD-78844-001		PSD		000	
								3 OF 4	



RECOMMENDED PCB LAYOUT
THICKNESS: 2.36±0.24MM

THIS DRAWING CONTAINS INFORMATION THAT IS PROPRIETARY TO MOLEX ELECTRONIC TECHNOLOGIES, LLC AND SHOULD NOT BE USED WITHOUT WRITTEN PERMISSION

ADD PART NO. EC NO: 110543 DRWN: WZHAO21 CHK'D: WZHAO21 APPR: SHLENI	2016/09/22 2016/11/16 2016/11/28	GENERAL TOLERANCES (UNLESS SPECIFIED) ANGULAR TOL ± 3.0 °	DIMENSION UNITS MM	SCALE NTS				
	4 PLACES ±	DRWN BY WJYAP	DATE 2013/03/28	SAS/PCIE RECEPTACLE SMT 5.85MM HEIGHT				
	3 PLACES ±	CHK'D BY CCTEH	DATE 2014/01/08					
	2 PLACES ± 0.2	APPR BY SHLENI	DATE 2014/01/16					
	1 PLACE ±	DRAWING SIZE A3	THIRD ANGLE PROJECTION					
0 PLACES ±	DRAFT WHERE APPLICABLE MUST REMAIN WITHIN DIMENSIONS	DRWN BY WJYAP	DATE 2013/03/28		PRODUCT CUSTOMER DRAWING			
RELEASE STATUS	RELEASE DATE	SERIES 78844	MATERIAL NUMBER SEE TABLE	CUSTOMER GENERAL MARKET	DOCUMENT NUMBER SD-78844-001	DOC TYPE PSD	DOC PART 000	SHEET NUMBER 4 OF 4