

NOTES:

1. ELECTRICAL:

- VOLTAGE RATING PER IEC 60664: 300V
- VOLTAGE RATING PER UL: 300V
- CURRENT: 8A

2. TEMP RATING: -25° TO +60°C

3. PROTECTION: IP67 (WHEN MATED)

4. COUPLING THREAD" 7/8-16

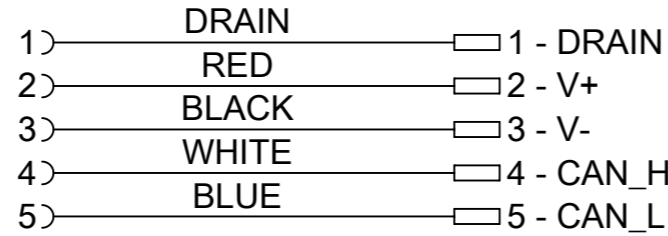
5. AGENCY:

- UL RECOGNIZED, FILE: E152210
- CSA CERTIFICATION FILE: LR6837

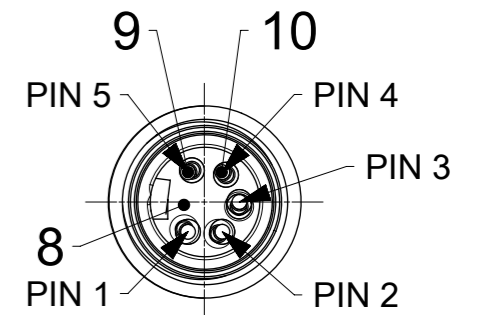
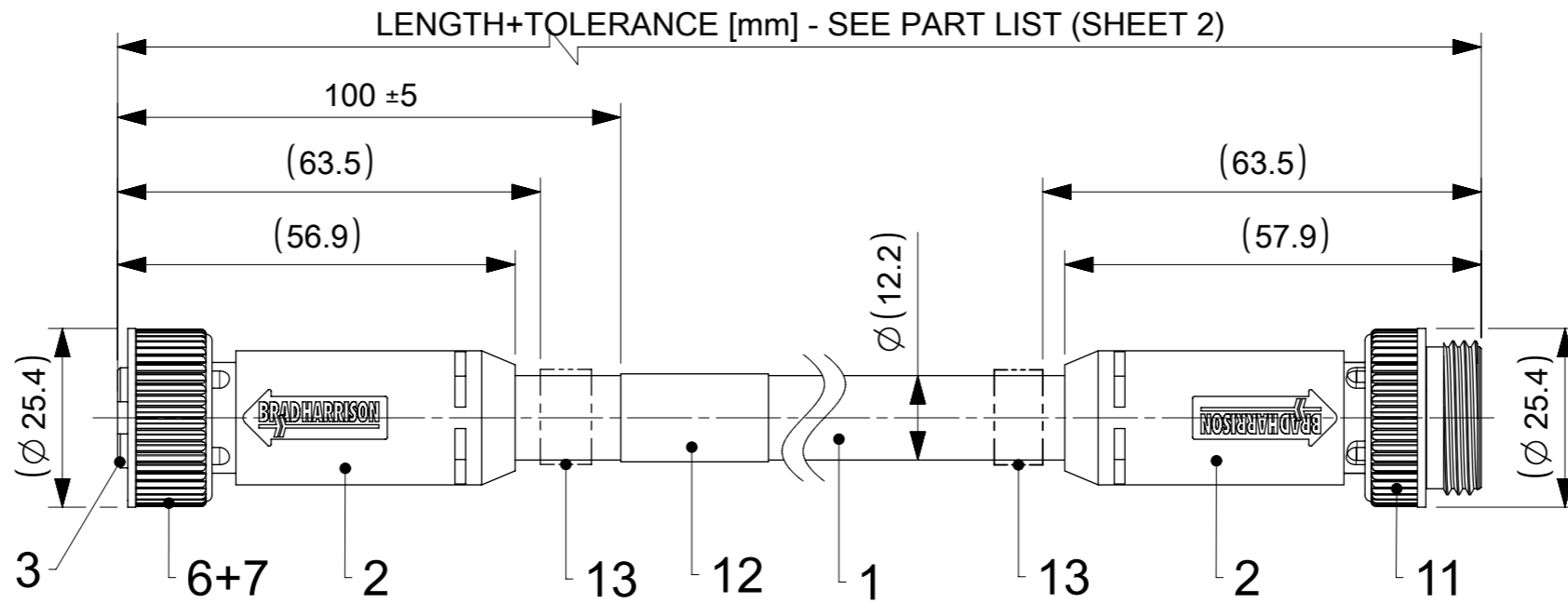
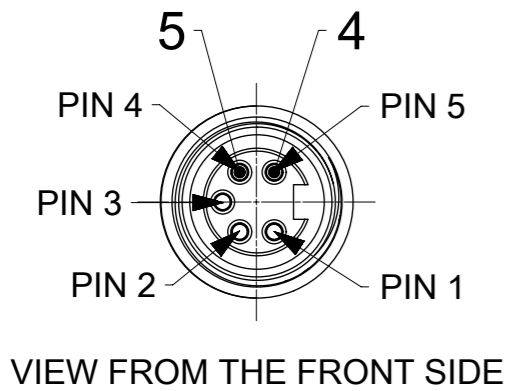
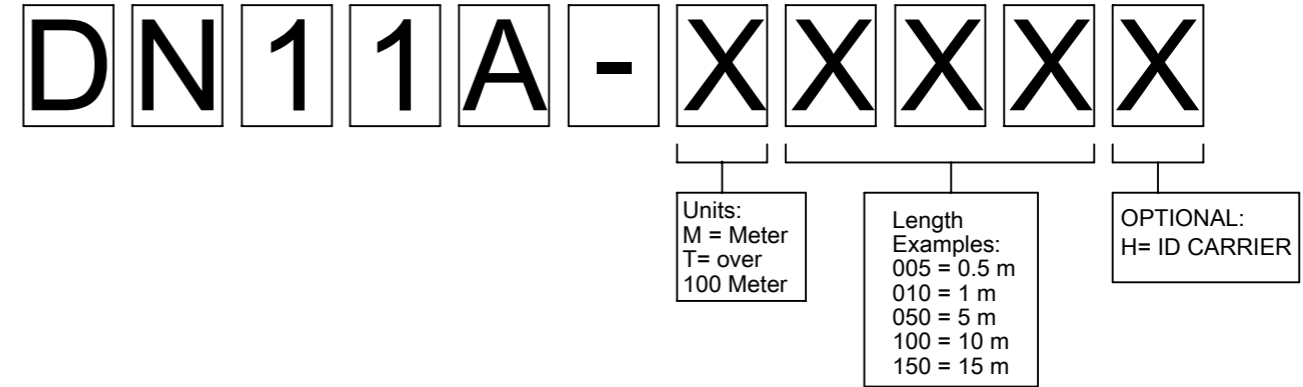
6 ALL DIMS ARE FOR REFERENCE UNLES NOTED OTHERWISE

7. PART NUMBERS WITH "H" HAVE TWO ID MARKERS ONE ON EACH END

WIRING DIAGRAM

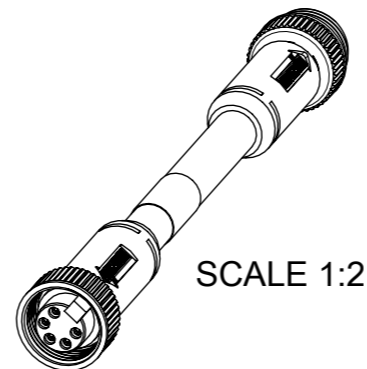


PART No. MATRIX



BILL OF MATERIALS

| ITEM | QTY | DESCRIPTION                  | MATERIAL | FINISH/COLOR        |
|------|-----|------------------------------|----------|---------------------|
| 13   | 2   | ID CARRIER                   | PVC      | -                   |
| 12   | 1   | LABEL WRAP                   | VINYL    | YELLOW              |
| 11   | 1   | COUPLING NUT A-SIZE EXT.     | ZINC     | BLACK               |
| 10   | 2   | PIN CONTACT 16 AWG           | COPPER   | GOLD OVER Ni-PLATED |
| 9    | 3   | PIN CONTACT 18 AWG           | COPPER   | GOLD OVER Ni-PLATED |
| 8    | 1   | HOUSING A-SIZE 5P MALE       | ARNITEL  | BLACK               |
| 7    | 1   | FRICTION RING A-SIZE         | NYLON    | GRAY                |
| 6    | 1   | MC COUPLING NUT A-SIZE       | ZINC     | BLACK               |
| 5    | 2   | MC SOCKET SLEEVE ASSY 16 AWG | COPPER   | GOLD OVER Ni-PLATED |
| 4    | 3   | MC SOCKET SLEEVE ASSY 18 AWG | COPPER   | GOLD OVER Ni-PLATED |
| 3    | 1   | HOUSING A-SIZE 5P FEMALE     | ARNITEL  | BLACK               |
| 2    | -   | MOULDING MATERIAL            | ARNITEL  | BLACK               |
| 1    | -   | TRUNK CABLE 19X30 AWG OD=12  | PVC      | GRAY                |
| ITEM | QTY | DESCRIPTION                  | MATERIAL | FINISH/COLOR        |



|  |   |                        |   |              |
|--|---|------------------------|---|--------------|
| FUNCTIONAL SYMBOLS                                   | THIS DRAWING CONTAINS INFORMATION THAT IS PROPRIETARY TO MOLEX ELECTRONIC TECHNOLOGIES, LLC AND SHOULD NOT BE USED WITHOUT WRITTEN PERMISSION |                        | CURRENT REV DESC: PIN'S ADDED,NOTES UPDATED |              |
|  | △/A = 0   | mm                     | SCALE                                       | 1:1          |
| DIVISIONAL SYMBOLS                                   | GENERAL TOLERANCES (UNLESS SPECIFIED)   |                        |   |              |
|  | △/E = 0   | ANGULAR TOL ± 1.0°     |   |              |
| FUNCTIONAL SYMBOLS                                   | 4 PLACES  | ±                      | EC NO: 695738                               |              |
|  | 3 PLACES  | ±                      | DRWN: RSCHIEBER 2022/02/14                  |              |
|  | 2 PLACES  | ± 0.05                 | CHK'D: RSILLER 2022/02/15                   |              |
|  | 1 PLACE   | ± 0.3                  | APPR: RSILLER 2022/02/15                    |              |
|  | 0 PLACES  | ± 0.5                  | INITIAL REVISION:                           |              |
| DRAFT WHERE APPLICABLE MUST REMAIN WITHIN DIMENSIONS |   | THIRD ANGLE PROJECTION | DRAWING                                     | SERIES       |
|  |   |                        | A3-SIZE                                     | 130025       |
|  |   | DOCUMENT NUMBER        | CUSTOMER                                    | SHEET NUMBER |
|  |   | 1300250051             | GENERAL MARKET                              | 1 OF 2       |

