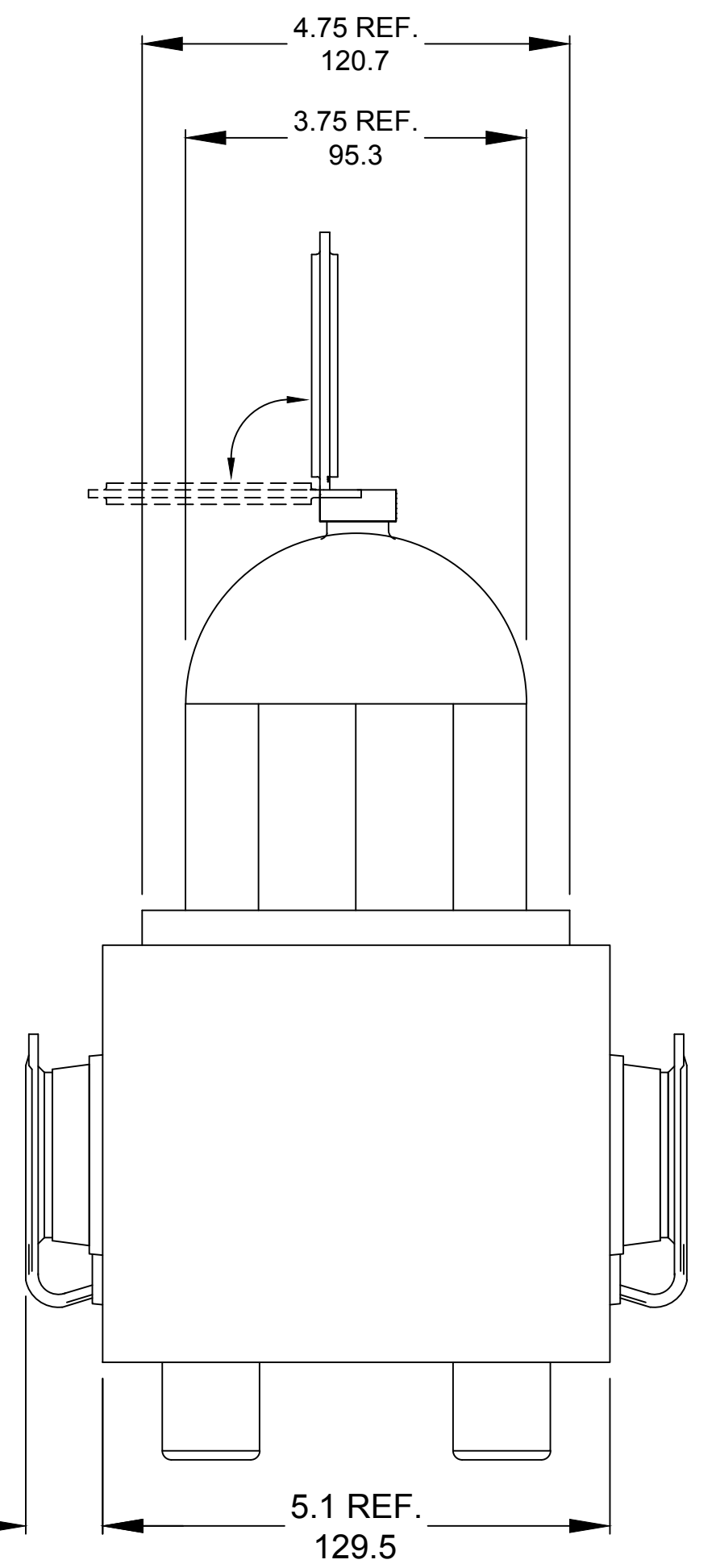
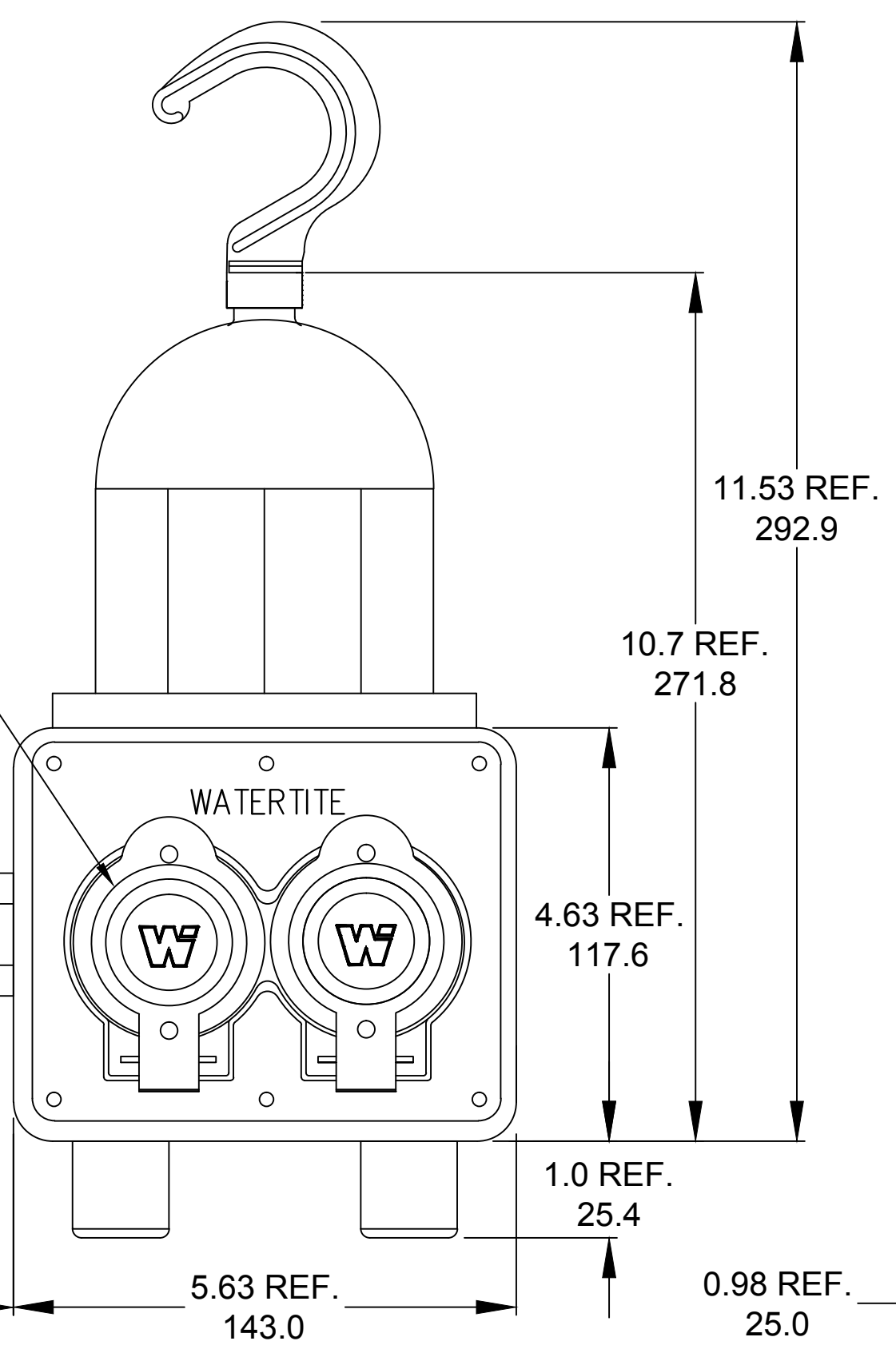
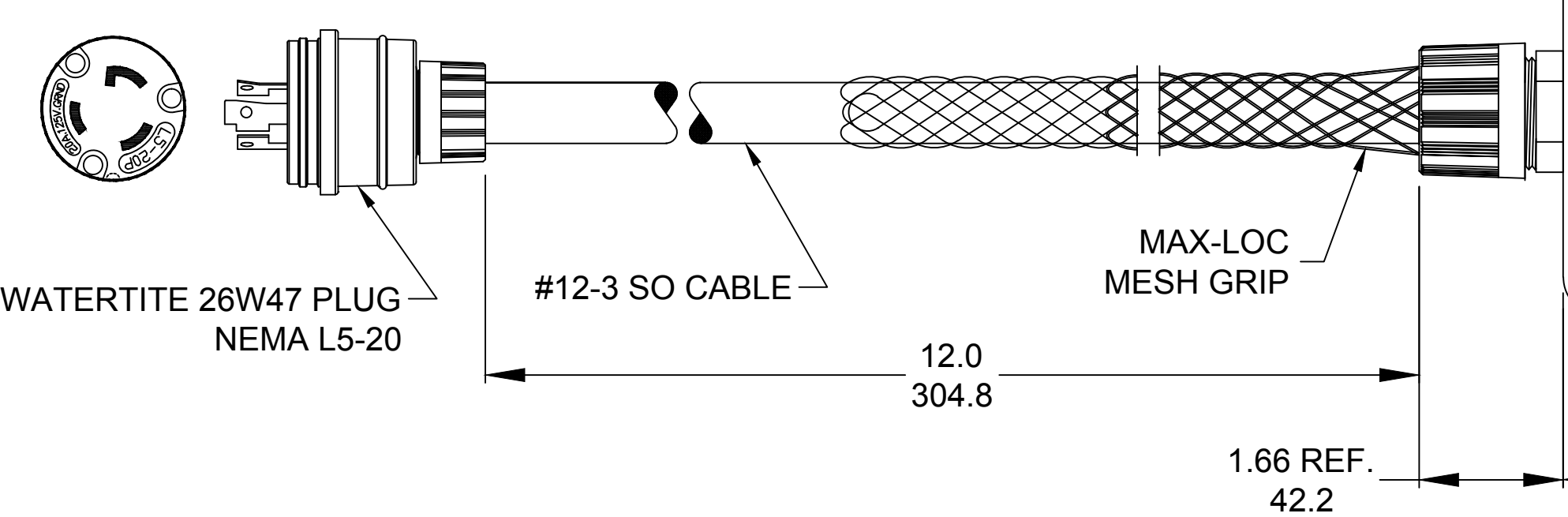


*RECEPTACLE CONFIGURATION
NEMA 5-20



RELEASE EC NO.: ICG2013-1447 DRWN: HRUIZ01 2013/03/14 CH'KD: HKNEELAN APPR: JFMURPHY 2013/04/22 REV A	QUALITY SYMBOL ▽=0 ▽=0	GENERAL TOLERANCES (UNLESS SPECIFIED) 4 PLACES ±--- ±--- 3 PLACES ±--- ±.005 2 PLACES ±.13 ±.010 1 PLACE ±.25 ±.020	DIMENSION STYLE INCH/MM DRAWN BY: HRUIZ01 DATE: 2013/03/14 CHECKED BY: HKNEELAN DATE: 2013/03/15 APPROVED BY: JFMURPHY DATE: 2013/04/22	SCALE NTS DESIGN UNITS INCH THIRD ANGLE PROJECTION	TITLE 32W90 LIGHTED BOX 1FT. #12-3 SO CABLE (4)NEMA 5-20 & 26W47
	DRAFT WHERE APPLICABLE MUST REMAIN WITHIN DIMENSIONS		MATERIAL NO. 1301350393	DOCUMENT NO. SD-130135-047	SHEET NO. 1 OF 1
	MOLEX INCORPORATED				
	THIS DRAWING CONTAINS INFORMATION THAT IS PROPRIETARY TO MOLEX INCORPORATED AND SHOULD NOT BE USED WITHOUT WRITTEN PERMISSION				
	SIZE C				